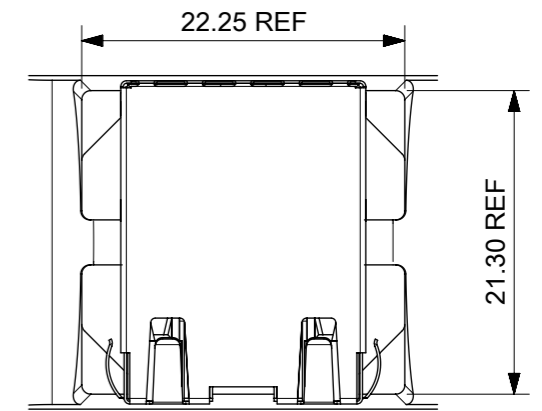
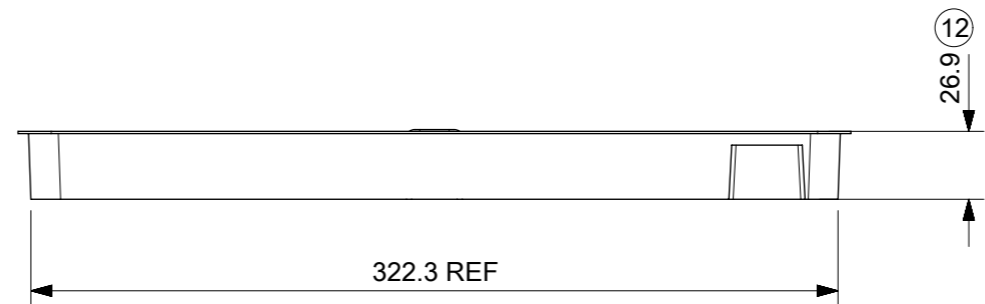
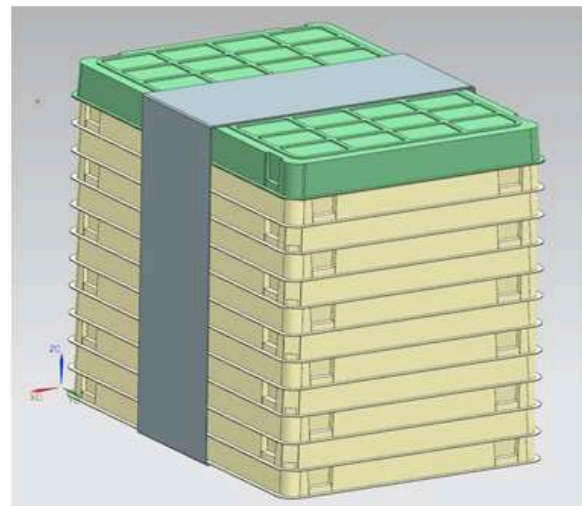
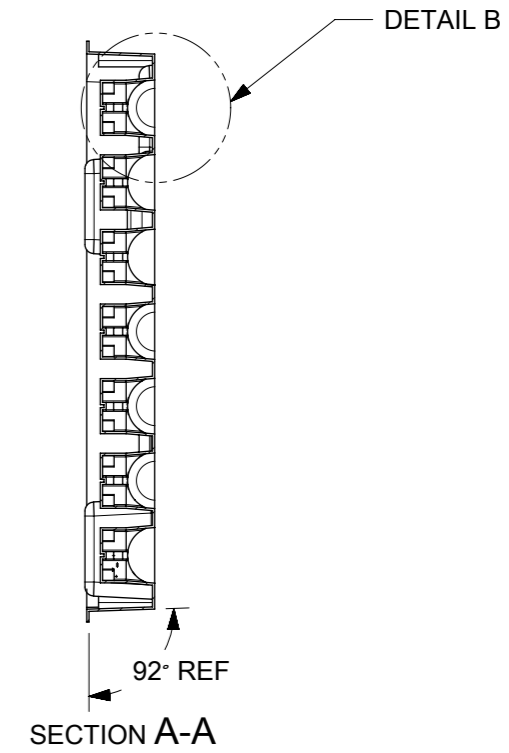
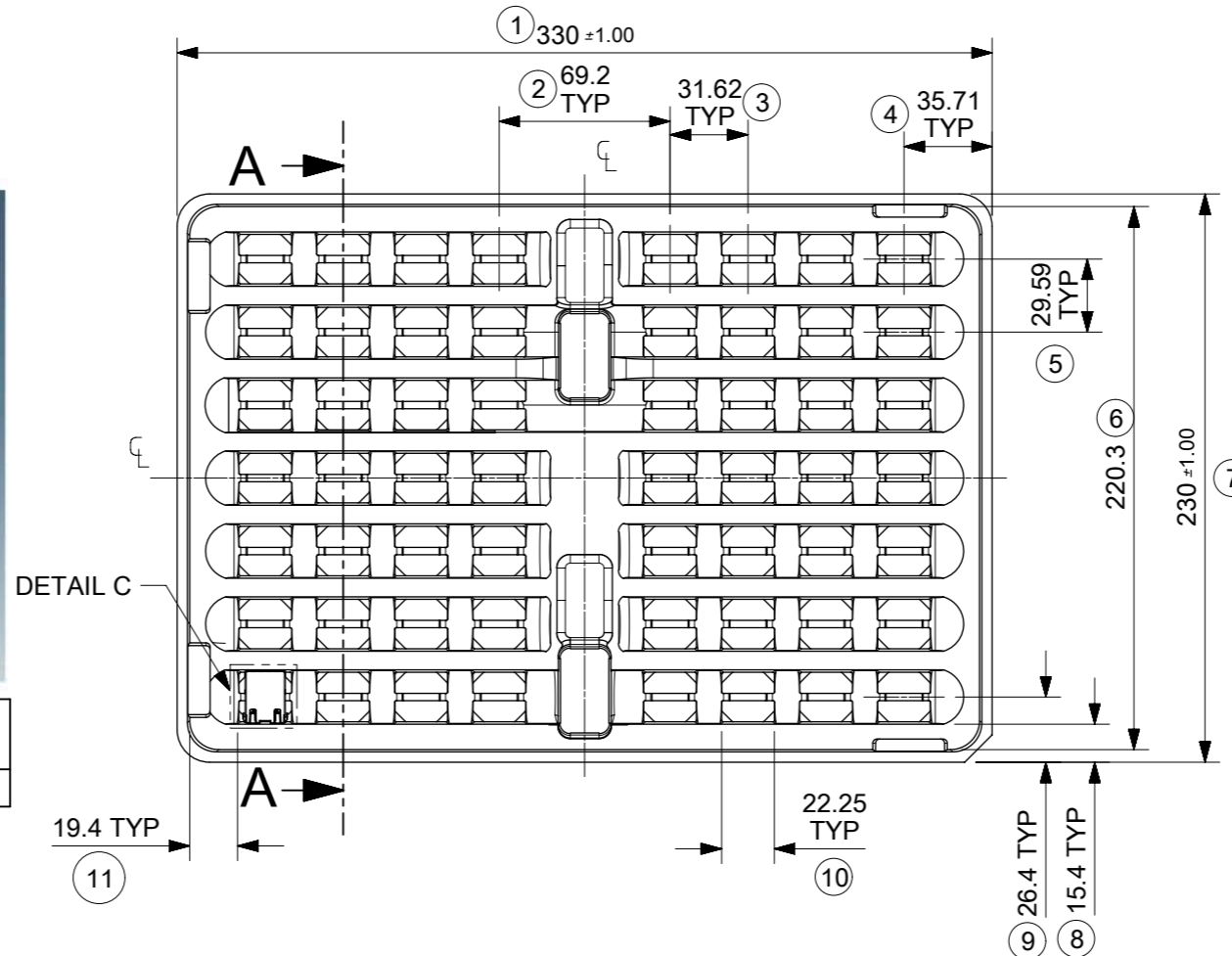


DETAIL B



DETAIL C
SCALE 2:1



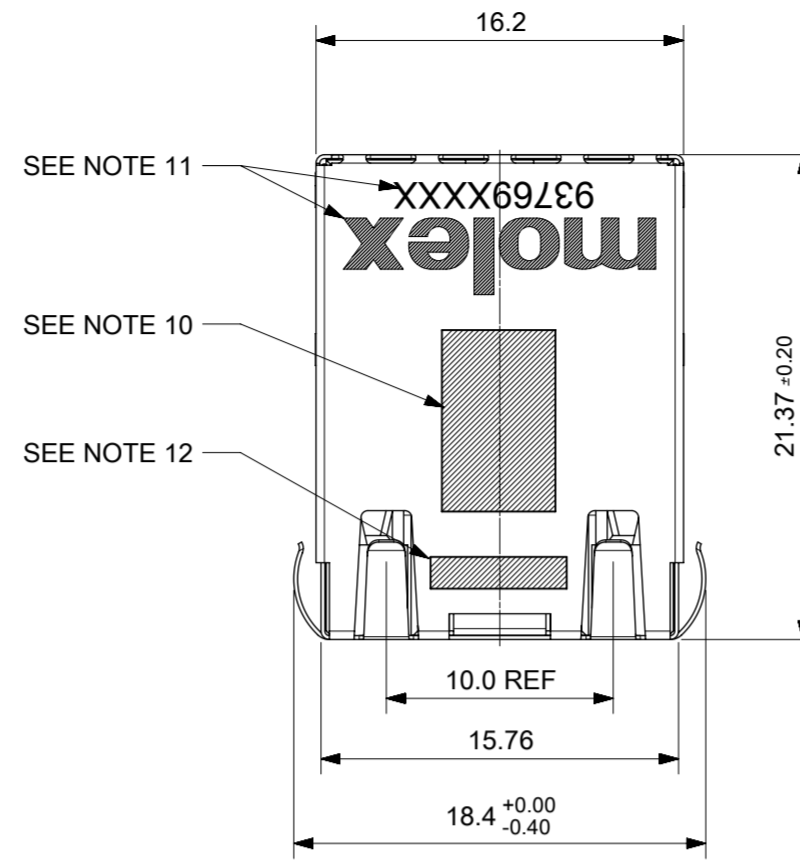
VERSION	QUANTITY PER TRAY	QUANTITY OF TRAYS PER BOX	QUANTITY PER BOX	QUANTITY PER PALLET
0.85" VERSION	56	12	672	18,144

- NOTES:
- MATERIAL: PETA ANTISTATIC
 - THICKNESS: 0.9mm ±0.05mm
 - COLOUR: CLEAR
 - BOW 2mm MAXIMUM PER 330mm
 - TWIST 2mm MAXIMUM PER 330mm
 - TRAY PART NO. AND RECYCLE LOGO TO BE CLEARLY MARKED ON TRAY
RECYCLE LOGO SHOULD BE APPROPRIATE TO MATERIAL USED
 - WHERE RELEVANT, DIMENSIONS SHOULD BE SYMMETRICAL ABOUT THE CENTRELINE
 - GENERAL PROFILE TOLERANCE $\overline{\cup}$ 0.40 ON NON DIMENSIONED FEATURES

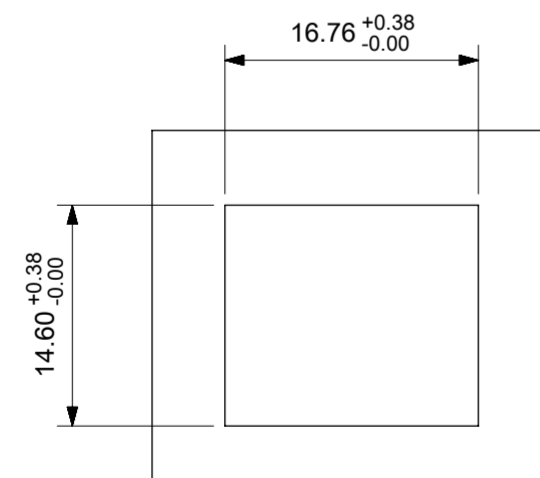
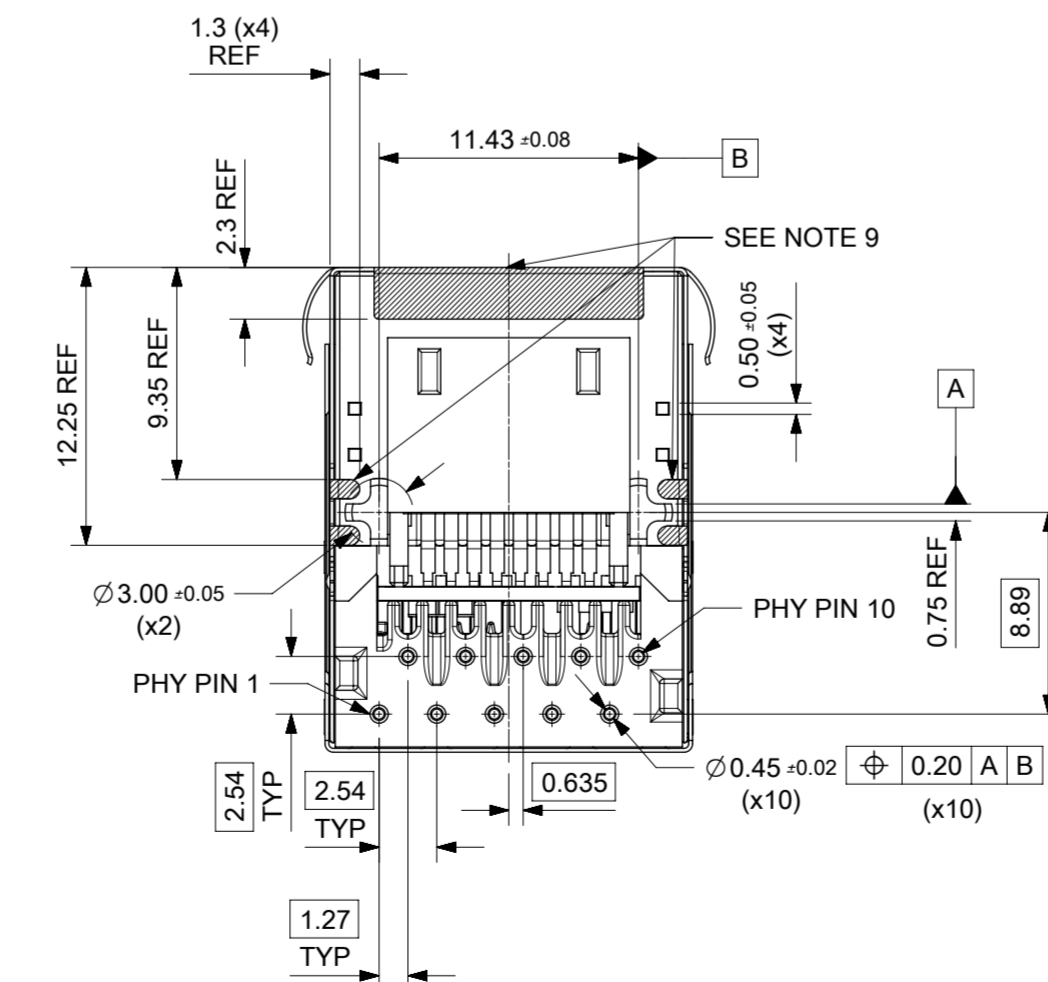
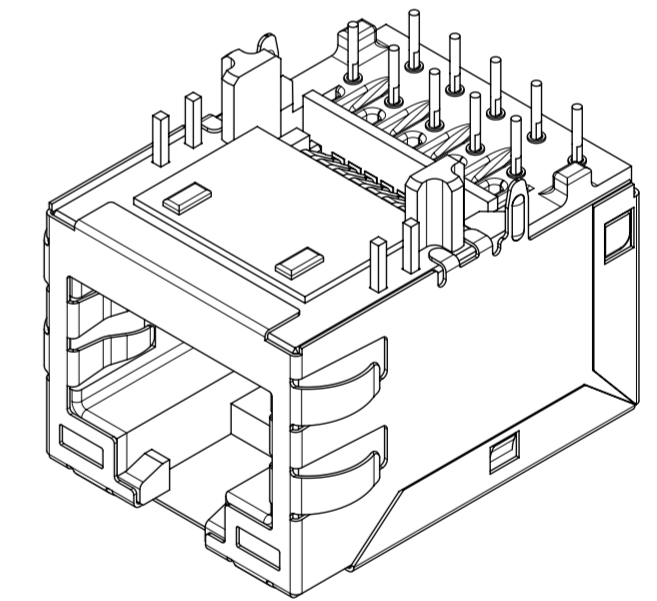
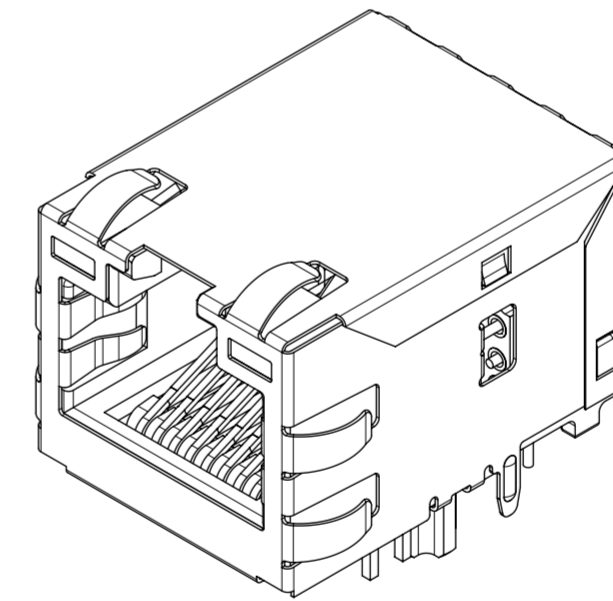
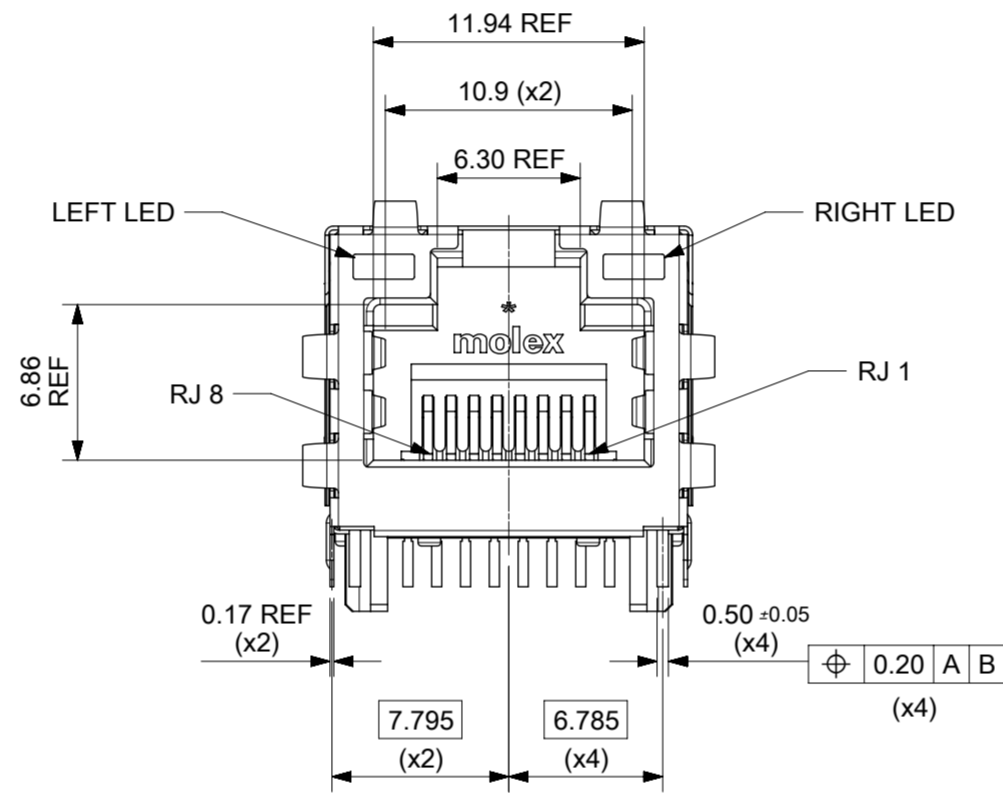
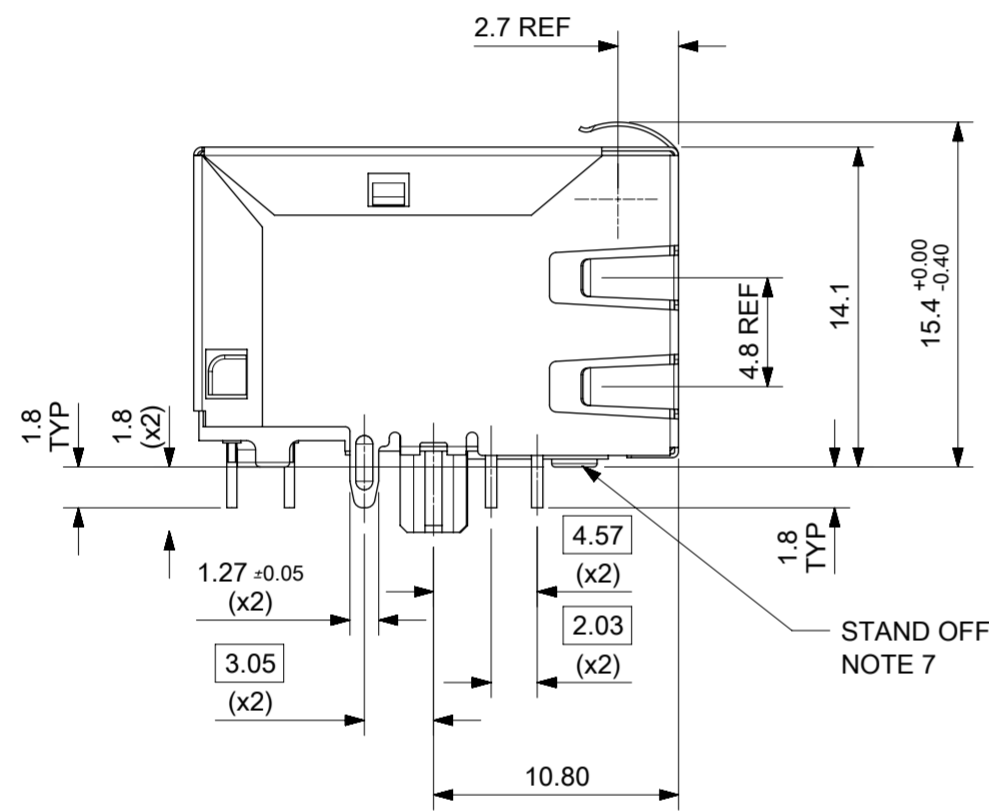
LAST INSPECTION NUMBER USED: 12

THIS DRAWING CONTAINS INFORMATION THAT IS PROPRIETARY TO MOLEX ELECTRONIC TECHNOLOGIES, LLC AND SHOULD NOT BE USED WITHOUT WRITTEN PERMISSION												
QUALITY SYMBOLS ∇_A = 0 ∇_E = 0 ∇_F = 0 ∇_G = 0 ∇_H = 0 ∇_I = 0 ∇_J = 0 ∇_K = 0 ∇_L = 0	ORIGINAL RELEASE EC NO: 109024 DRWN: DALLENO1 CHK'D: DALLENO1 APPR: STGRIFFIN		2016/10/04 2016/12/07 2016/12/07		GENERAL TOLERANCES (UNLESS SPECIFIED) ANGULAR TOL ± 1.0 ° 4 PLACES ± 3 PLACES ± 2 PLACES ± 0.2 1 PLACE ± 0.5 0 PLACES ±		DRAFT WHERE APPLICABLE MUST REMAIN WITHIN DIMENSIONS		DIMENSION UNITS MM		SCALE 1:3	
	DRWN BY KREILLY				DATE 2016/05/06		CHK'D BY		DATE			
	APPR BY				DATE		DRAWING SIZE A3		THIRD ANGLE PROJECTION		MXMAG STANDARD AND INVERTED TRAY	
	PRODUCT CUSTOMER DRAWING		SERIES 93462		MATERIAL NUMBER 990250150		CUSTOMER GENERAL MARKET		DOCUMENT NUMBER 934620003		DOC TYPE PSD	
DOC PART K		SHEET NUMBER 1 OF 1		RELEASE STATUS P1		RELEASE DATE 07.12.2016 13:31:26		DRAWING SIZE A3		THIRD ANGLE PROJECTION		

INVERTED PROFILE MAGNETIC JACK
GIGABIT ETHERNET W/LED
AND W/SHIELD TABS
PIN IN PASTE CAPABLE

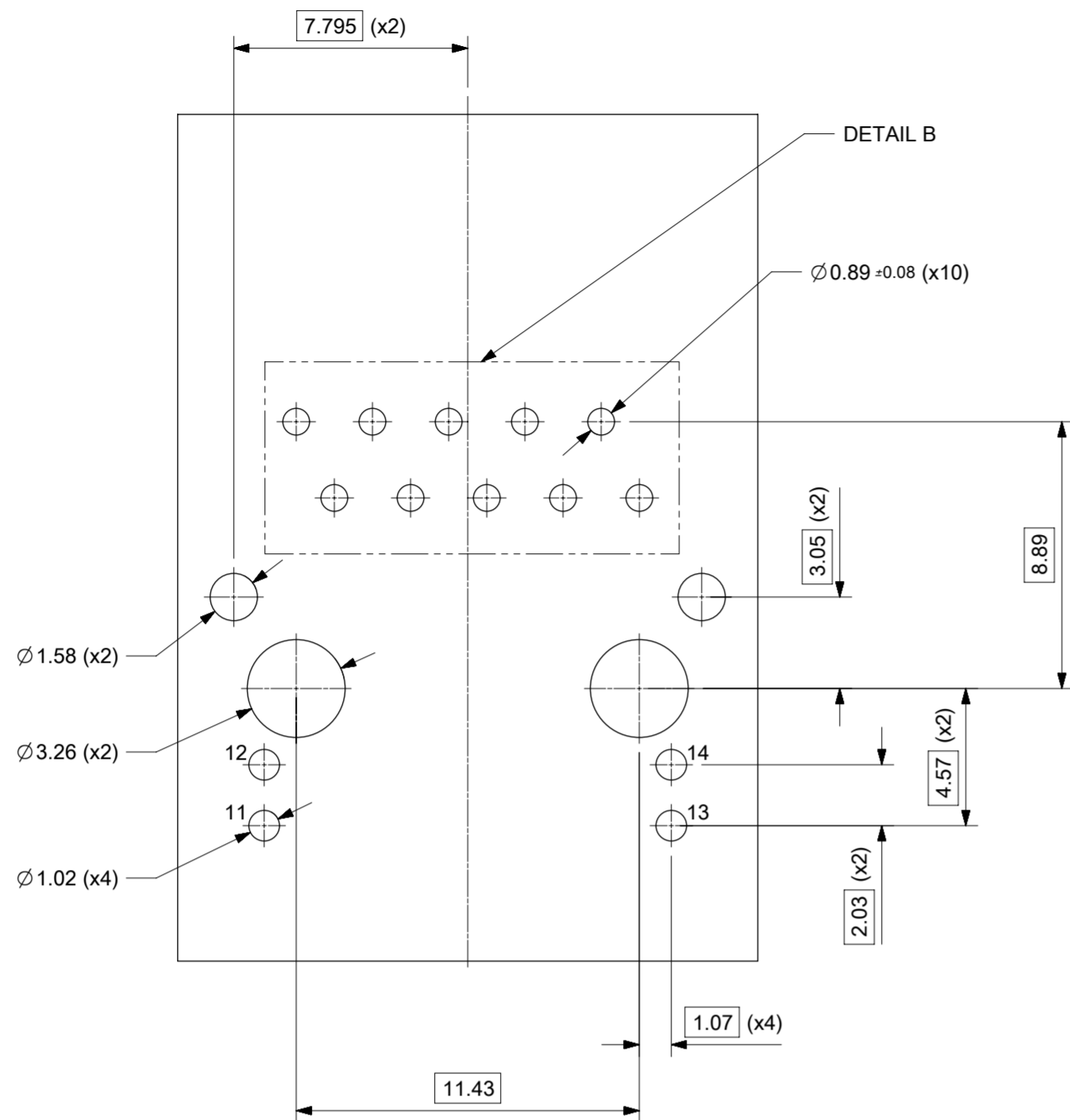


- NOTES:
- SHIELD MATERIAL: 0.17 mm THICK BRASS PRE-PLATED WITH NICKEL
SOLDER TABS POST DIPPED WITH MIN 1.27 μm TIN.
 - HOUSING MATERIAL: LCP, BLACK, UL 94V-0
 - TERMINALS MATERIAL: PHOSPHOR BRONZE
RJ45 CONTACTS PLATING: BASE NICKEL PLATED WITH GOLD
FLASH OVER PALLADIUM NICKEL. REFER TO 934620001 PSP
PHY SOLDER TAILS: COPPER ALLOY
 - MATING INTERFACE ACCORDING TO IEC 60603-7 & TIA-1096-A
 - PRODUCT SPECIFICATION: 934620001 PSP
 - PACKAGING SPECIFICATION: 934620002 PSK T&R
 - STAND OFF TO SYSTEM BOARD 0.30 mm MIN
 - RECOMMENDED PCB THICKNESS: 1.57 mm
 - SHIELD: AVOID ROUTING TRACES
OR PLACING ANY VIAS BELOW THESE AREAS
 - AREA FOR PICK AND PLACE: 5.0 mm X 8.0 mm
 - INSCRIPTION MARKED BY LASER:
1st : MOLEX
2nd : P/N (SEE BOM)
 - INSCRIPTION MARKED BY LASER:
DATE CODE(DAY/WEEK/YEAR)
 - MATERIAL COMPLIANT TO RoHS DIRECTIVE 2002/95/EC

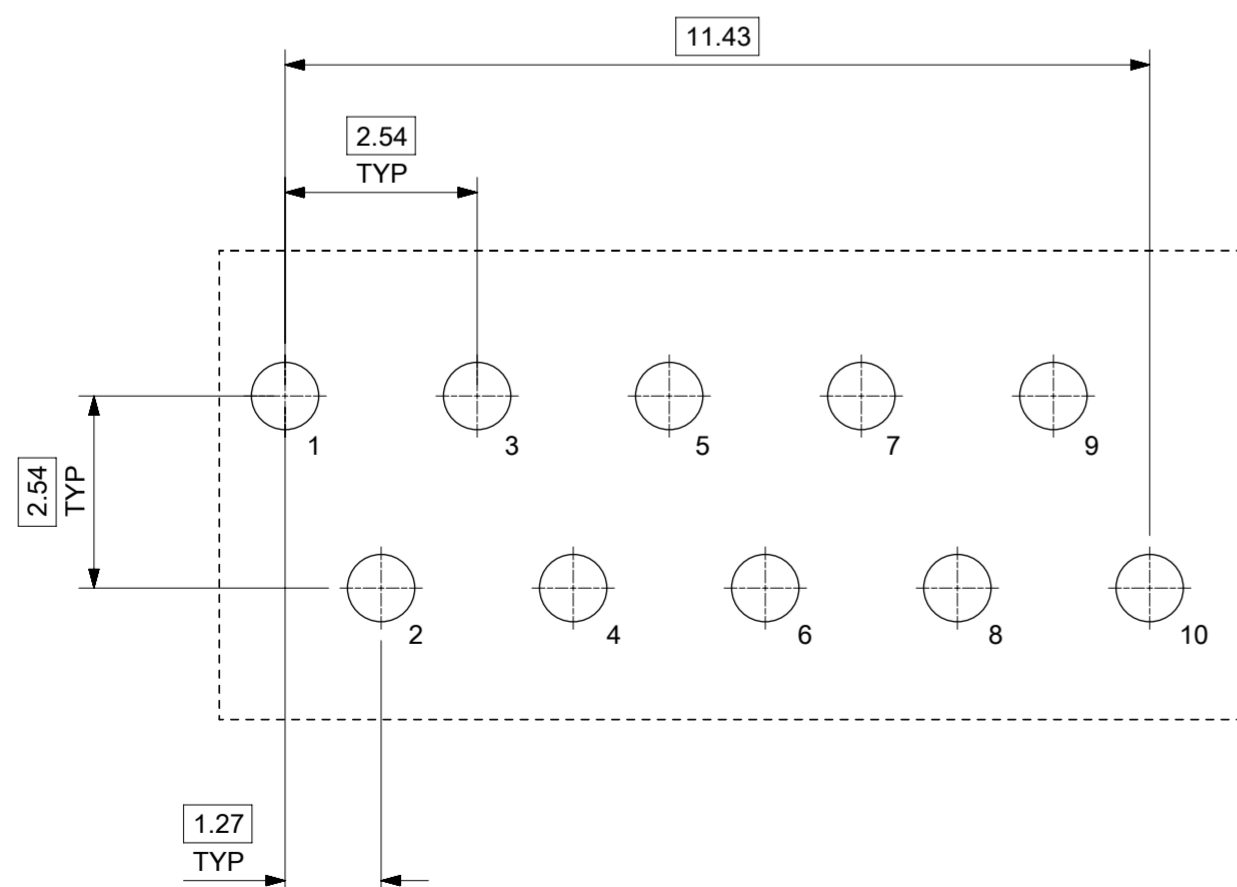


SUGGESTED PANEL CUT-OUT

THIS DRAWING CONTAINS INFORMATION THAT IS PROPRIETARY TO MOLEX ELECTRONIC TECHNOLOGIES, LLC AND SHOULD NOT BE USED WITHOUT WRITTEN PERMISSION		GENERAL TOLERANCES (UNLESS SPECIFIED)		DIMENSION UNITS	SCALE	molex	
		mm		3:1	INV PRO MXMAG 8 CORE GIG W/LED W/EMI PIP		
REVISED	EC NO: 116686	2017/04/12	DRWN: DBYRNES	DRWN BY	DATE	PRODUCT CUSTOMER DRAWING	
		2017/09/12	CHKD: DSHEA	CHK'D BY	DATE	SERIES	MATERIAL NUMBER
		2017/09/26	APPR: DBYRNES	APPR BY	DATE	93769	SEE TABLE ON SHEET 2
						000	GENERAL MARKET
						DOCUMENT NUMBER	DOC TYPE
C				DRAFT WHERE APPLICABLE MUST REMAIN WITHIN DIMENSIONS	A2	937690001	PSD
						DOC PART	SHEET NUMBER
						000	1 OF 3



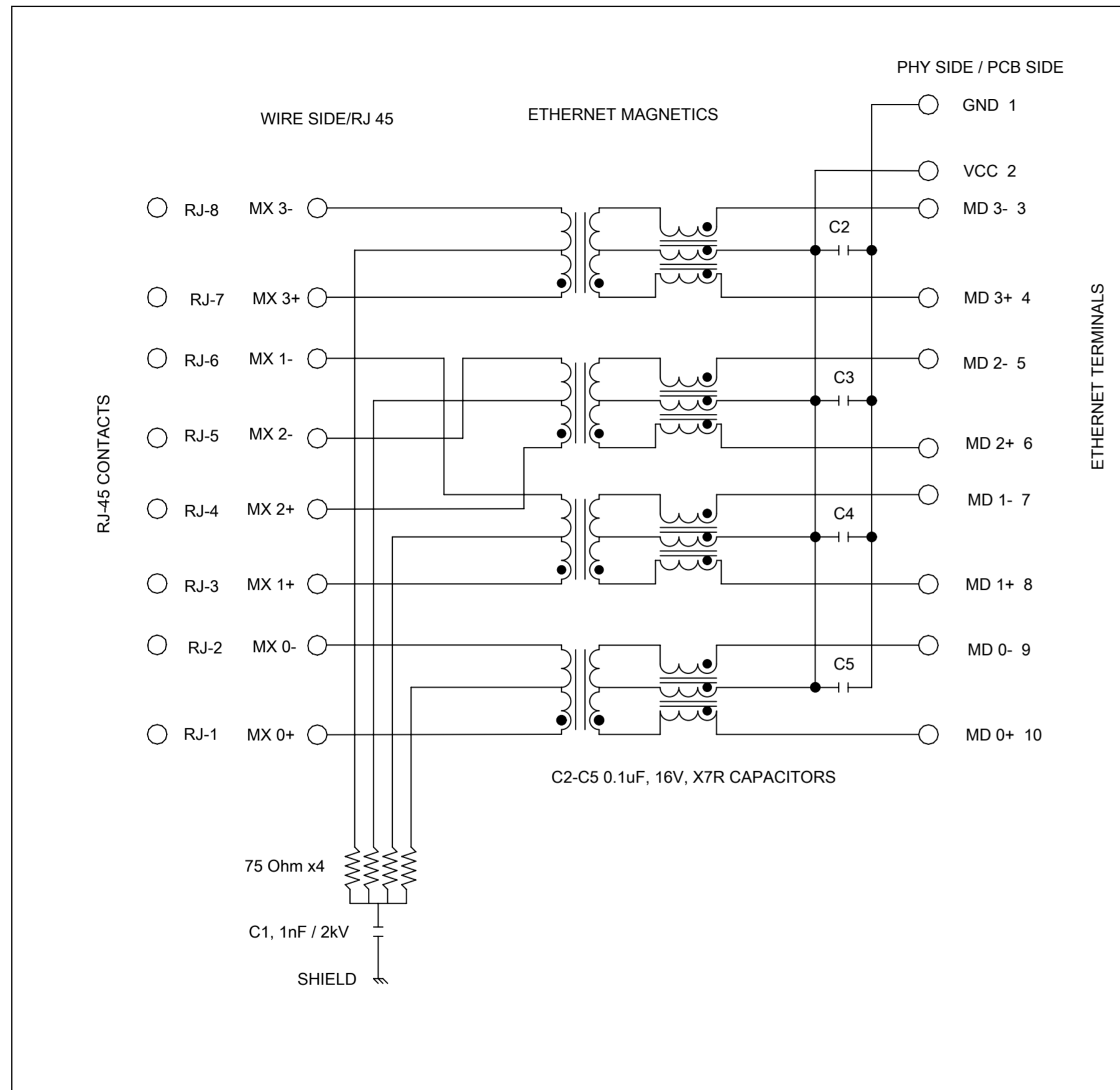
SUGGESTED BOARD LAYOUT
GIGABIT VERSION
COMPONENT SIDE
ALL DIMS REFERENCE DIMS



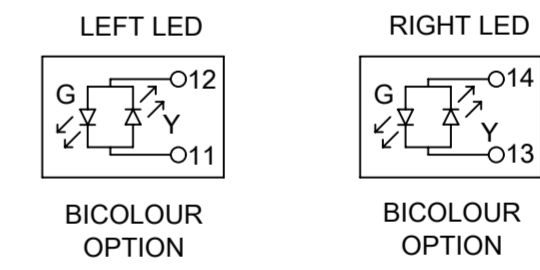
DETAIL B
SCALE 10:1
PIN CONFIGURATION
FOR GIGABIT VERSION

PART NUMBER	LEFT LED	RIGHT LED
937698628	GREEN/YELLOW	GREEN/YELLOW

THIS DRAWING CONTAINS INFORMATION THAT IS PROPRIETARY TO MOLEX ELECTRONIC TECHNOLOGIES, LLC AND SHOULD NOT BE USED WITHOUT WRITTEN PERMISSION			
EC NO: 116686 DRWN: DBYRNES CHKD: DSHEA REV: APPR: DBYRNES	2017/04/12 2017/09/12 2017/09/26	GENERAL TOLERANCES (UNLESS SPECIFIED) DIMENSION UNITS: mm SCALE: 5:1 ANGULAR TOL $\pm 2.0^\circ$	
	DRWN BY: KREILLY DATE: 2016/03/14	DRWN BY: KREILLY DATE: 2016/03/14	
	CHK'D BY: DBYRNES DATE: 2016/05/24	CHK'D BY: DBYRNES DATE: 2016/05/24	
	APPR BY: STGRIFFIN DATE: 2016/06/08	APPR BY: STGRIFFIN DATE: 2016/06/08	
	DRAFT WHERE APPLICABLE MUST REMAIN WITHIN DIMENSIONS	DRAWING SIZE: A2 THIRD ANGLE PROJECTION	
PRODUCT CUSTOMER DRAWING			INV PRO MXMAG 8 CORE GIG W/LED W/EMI PIP
SERIES: 93769 MATERIAL NUMBER: SEE TABLE CUSTOMER: GENERAL MARKET	PRODUCT CUSTOMER DRAWING		
DOCUMENT NUMBER: 937690001 DOC TYPE: PSD DOC PART: 000 SHEET NUMBER: 2 OF 3	DOCUMENT NUMBER: 937690001 DOC TYPE: PSD DOC PART: 000 SHEET NUMBER: 2 OF 3		



Description	Value	
OCL @100 kHz, 0.1 V 8 mA DC bias (-40°C to +85°C)	350 µH min.	
Turns ratio	1CT:1CT	
Transmission characteristics @ 25°C, all four pairs		
Insertion Loss		
Frequency f, (MHz)	Limits (dB max.)	Typical Values (dB max.)
1.0-9.9	0.4+0.1*log(f)	0.5 @ 10 MHz
10-49.9	0.5+0.3*log(f/10)	0.7 @ 50 MHz
50-79.9	1+1.4*log(f/80)	1.0 @ 80 MHz
80-100	1.3+3*log(f/100)	1.3 @ 100 MHz
Return Loss		
Frequency f, (MHz)	Limits (dB min.)	Typical Values (dB min.)
1.0-39.9	18	18 @ 40 MHz
40-100	12-20*log(f/80)	10 @ 100 MHz
CMR		
Frequency f, (MHz)	Limits (dB min.)	Typical Values (dB min.)
1.0-100	30	30 @ 100 MHz
Next		
Frequency f, (MHz)	Limits (dB min.)	Typical Values (dB min.)
1.0-39.9	35	35 @ 40 MHz
40-100	33-20*log(f/50)	27 @ 100 MHz
Isolation PHY to wire side	2.25 kVDC/60sec	



937698628

THIS DRAWING CONTAINS INFORMATION THAT IS PROPRIETARY TO MOLEX ELECTRONIC TECHNOLOGIES, LLC AND SHOULD NOT BE USED WITHOUT WRITTEN PERMISSION									
REVISED	EC NO: 116686	GENERAL TOLERANCES (UNLESS SPECIFIED)	DIMENSION UNITS	SCALE	molex				
	2017/04/12	(UNLESS SPECIFIED)	mm	1:1					
	DRWN: DBYRNES	ANGULAR TOL ± 2.0 °	DRWN BY	DATE	INV PRO MXMAG 8 CORE GIG W/LED W/EMI PIP				
	2017/09/12	4 PLACES ±	KREILLY	2016/03/14					
	CHKD: DSHEA	3 PLACES ±	CHK'D BY	DATE	PRODUCT CUSTOMER DRAWING				
2017/09/26	2 PLACES ± 0.1	DBYRNES	2016/05/24						
REV / APPR: DBYRNES	1 PLACE ± 0.2	APPR BY	DATE	SERIES MATERIAL NUMBER CUSTOMER					
C	0 PLACES ±	STGRIFFIN	2016/06/08						93769
DRAFT WHERE APPLICABLE MUST REMAIN WITHIN DIMENSIONS		DRAWING SIZE	THIRD ANGLE PROJECTION	DOCUMENT NUMBER		DOC TYPE	DOC PART	SHEET NUMBER	
		A2		937690001		PSD	000	3 OF 3	