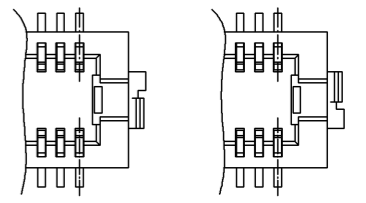


NOTES 1 : LEAD CO-PLANARITY SHALL BE 0.08mm MAX.
 2 : IF THERE IS PATTERN ON PART, THERE IS A POSSIBILITY THAT IT WILL MAKE CONTACT WITH THE LEADS.
 3 : REINFORCED METAL FITTINGS AS FOLLOWS.

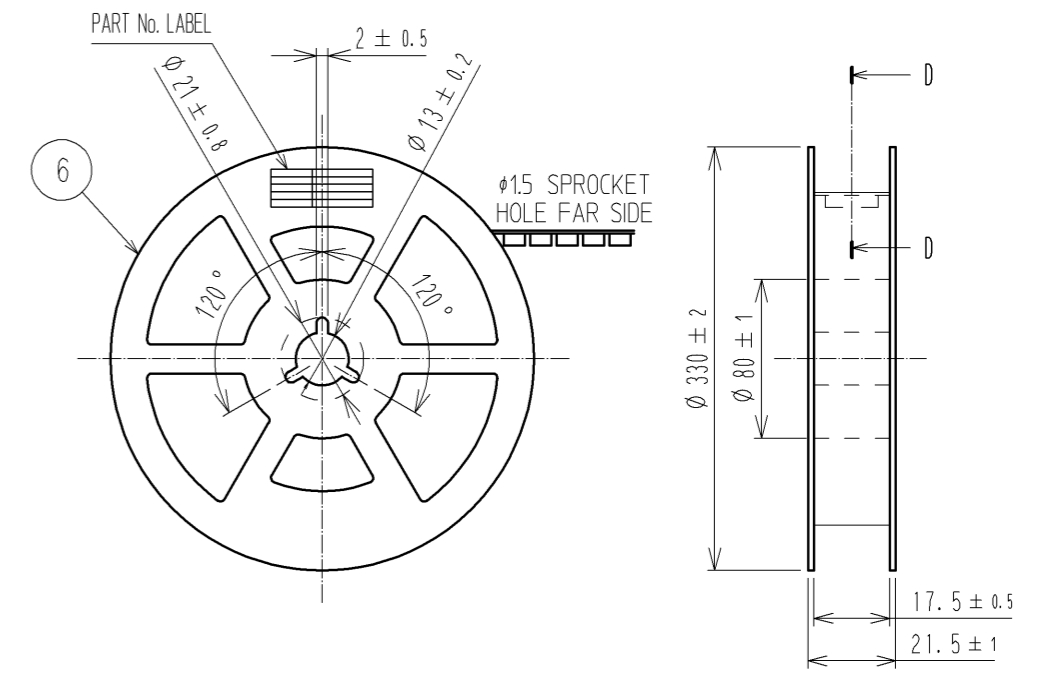
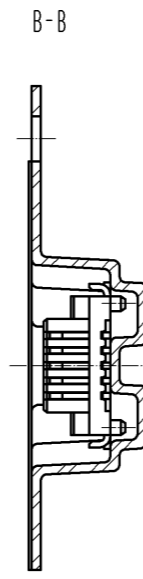
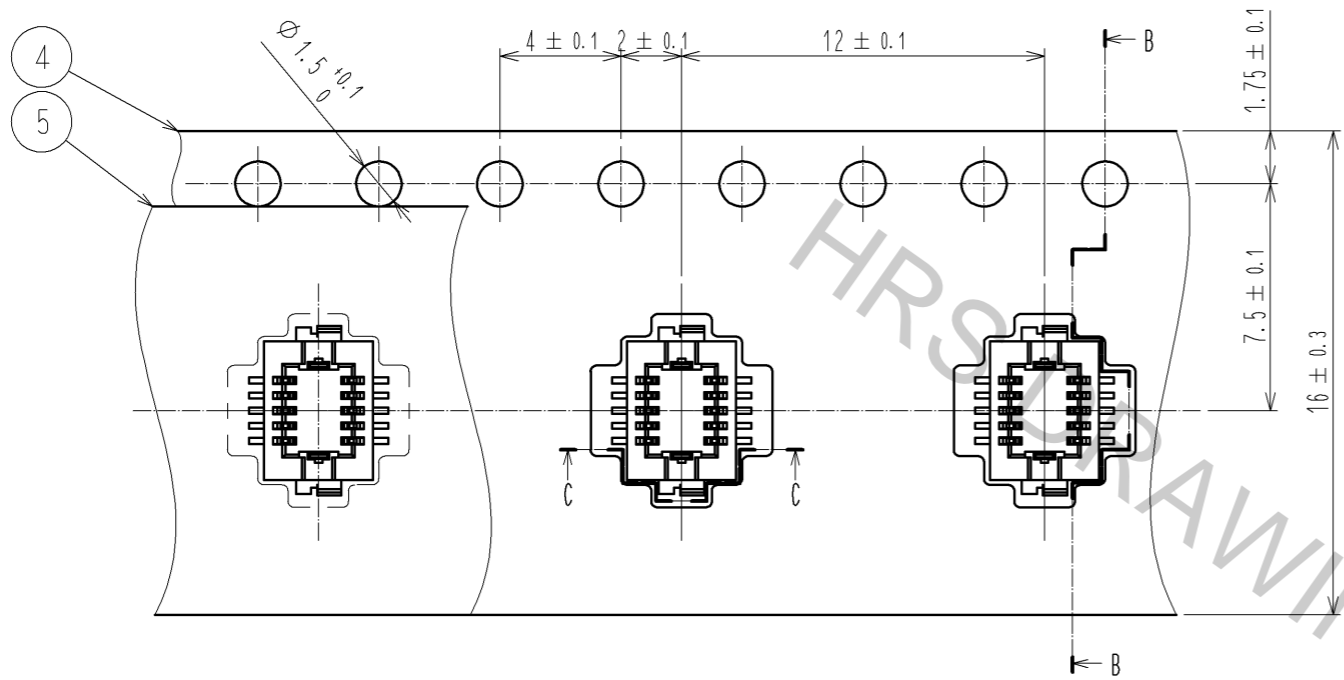


NO.	MATERIAL	FINISH	REMARKS	NO.	MATERIAL	FINISH	REMARKS
2	PHOSPHOR BRONZE		CONTACT AREA:GOLD PLATED 0.2μm min LEAD AREA:GOLD PLATED 0.015μm min OTHERS(UNDER PLATING):NICKEL PLATED 2μm min	7	PS		CLEAR(REINFORCEMENT COLLAR)
1	LCP		UL94V-0, BLACK	6	PS		BLACK(PLASTIC REEL)
				5	POLYESTER		CLEAR(COVER TAPE)
				4	PS		CLEAR(EMBOSSED CARRIER TAPE)
				3	BRASS		TIN PLATED 2μm min (UNDER PLATING):NICKEL 1μm min

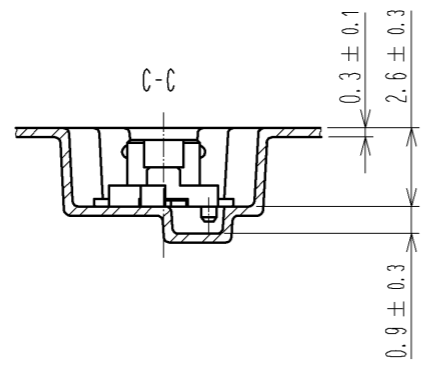
UNITS	SCALE	COUNT	DESCRIPTION OF REVISIONS	DESIGNED	CHECKED	DATE
mm	10:1	7	DIS-H-008247	KR. AJITO	TS. MIYAZAKI	13.10.22

APPROVED	DATE	DRAWING NO.
KH. IKEDA	09.12.14	EDC3-324192-01
CHECKED : AR. TAKAHASHI	09.12.14	PART NO. DF12L(3.0)-10DS-0.5V(86)
DESIGNED : TY. YAMASAKI	09.12.14	CODE NO. CL537-2004-0-86
DRAWN : TY. YAMASAKI	09.06.30	

STYLE AND DIMENSION OF REEL



DIRECTION OF UNREELING →

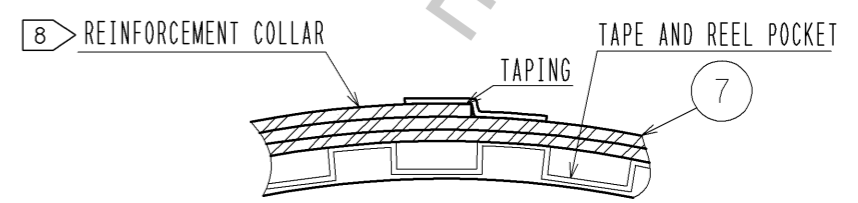


SUPPLIER
QUANTITY
PART No.
CODE No.
DATE OF MANUFACTURED

DETAIL OF PART No. LABEL

生産月日	年 月 日
図番	CL537-2004-0-86
品名	DF12L(3.0)-10DS-0.5V(86)
納入数量	1000KO
納入者	ヒロセ電機(株)

D-D(FREE) ⚠



- NOTES
- 4 : 1 REEL 1000 CONNECTORS.
 - 5 : AT THE BEGINNING OF THE REEL, 30 COMPONENTS SHALL BE EMPTY.
AT THE END OF THE REEL, 20 COMPONENTS SHALL BE EMPTY.
 - ⚠ 6 : PEEL FORCE REFERS TO JIS C 0806(IEC 60286-3).
 - ⚠ 7 : THE REEL IS PACKED WITH A POLYETHYLENE MATERIAL, TOGETHER WITH A DRYING AGENT.
 - ⚠ 8 : AFTER PACKING, ROLL 2 METERS OF THE REINFORCEMENT COLLAR TO OUTER CIRCUMFERENCE OF TAPE AND REEL POCKET, AND TAPE DOWN AT THE END THE COLLAR.

HRS	DRAWING NO.	EDC3-324192-01
	PART NO.	DF12L(3.0)-10DS-0.5V(86)
	CODE NO.	CL537-2004-0-86
		⚠ 2/2