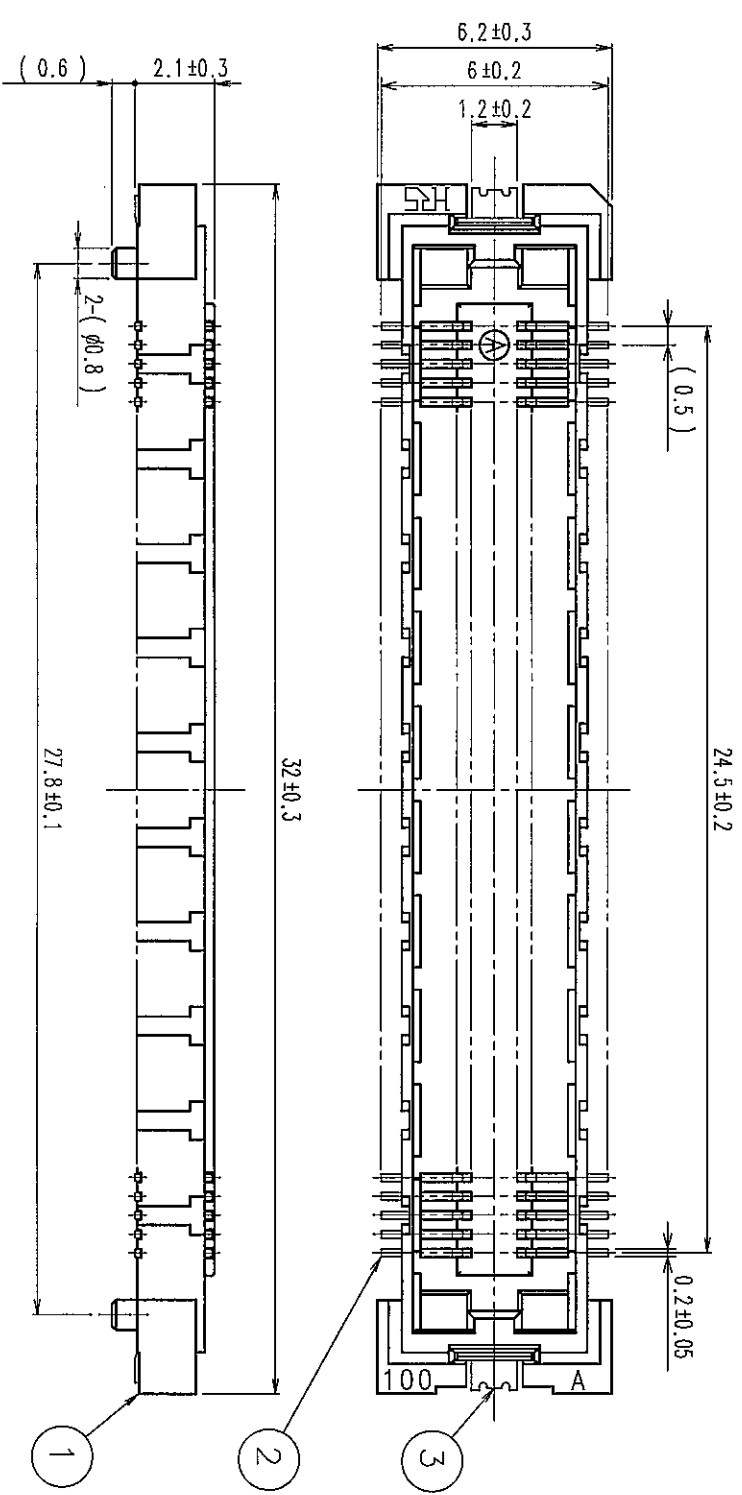
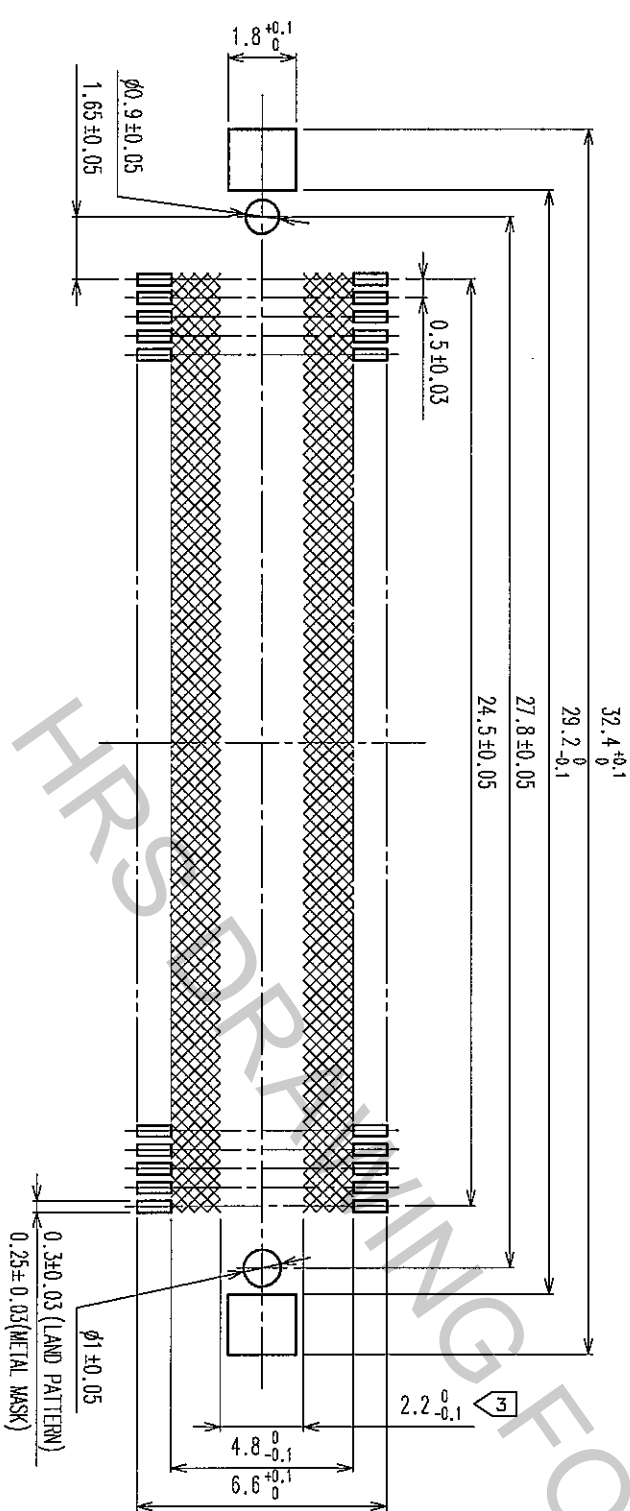


COUNT	DESCRIPTION OF REVISIONS	BY	CHKD	DATE	COUNT	DESCRIPTION OF REVISIONS	BY	CHKD	DATE
1	DIS-F-002220(A)	H.S.		07.7.29					
2	DIS-F-00526(B)	H.S.		11.1.24					



RECOMMENDED LAND PATTERN DIMENSION OF PCB



- NOTES
- SMT LEAD-COPLANARITY: 0.1 MAX.
 - THIS PRODUCT HAS NO POLARITY TO PATTERN FOR MOUNTING.
 - MAKE SURE WIDTH OF PATTERN IS WITHIN THAT OF LAND, OR LEAD MAY TOUCH PATTERN. (THIS APPLIES TO HATCHED AREA.)
 - TO BE EMBOSSED CARRIER TAPED AS SPECIFIED IN SHEET 2.

NO.	MATERIAL	FINISH, REMARKS	NO.	MATERIAL	FINISH, REMARKS
1	LCP	BEIGE UL94V-0	3	PHOSPHOR BRONZE	TIN PLATED
2	PHOSPHOR BRONZE	CONTACT AREA: GOLD (0.1µm) OVER NICKEL LEAD: GOLD FLASH OVER NICKEL			

DRAWING NO. EDC3-152641-01

SCALE 5 : 1

UNITS mm

PART NO. FX11A-100S-SV(21)

CODE NO. CL573-0743-6-21

DRAWN: *[Signature]* 00.01.15

DESIGNED: *[Signature]* 00.01.15

CHECKED: *[Signature]* 00.01.17

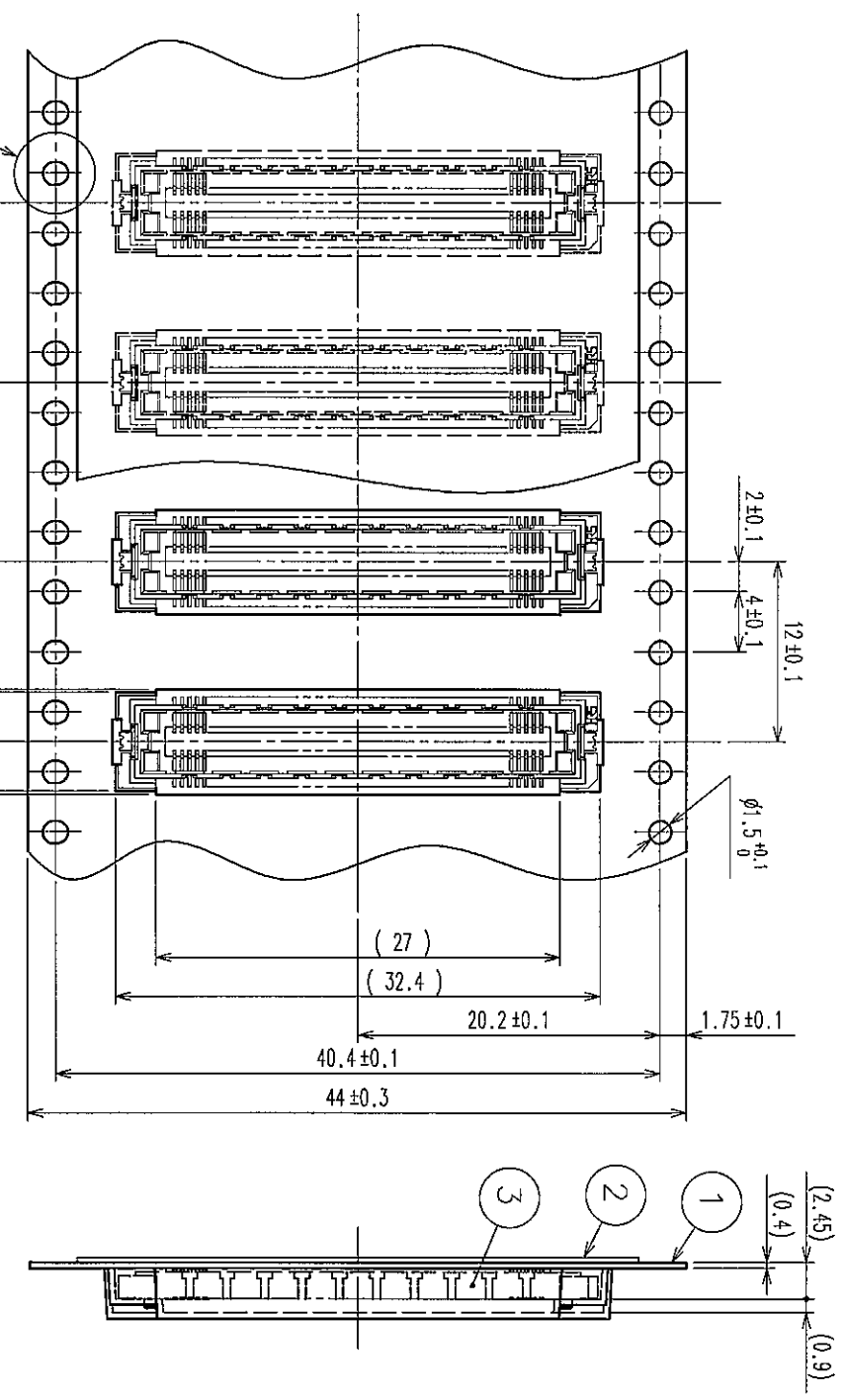
APPROVED: *[Signature]* 00.01.17

RELEASED: *[Signature]*

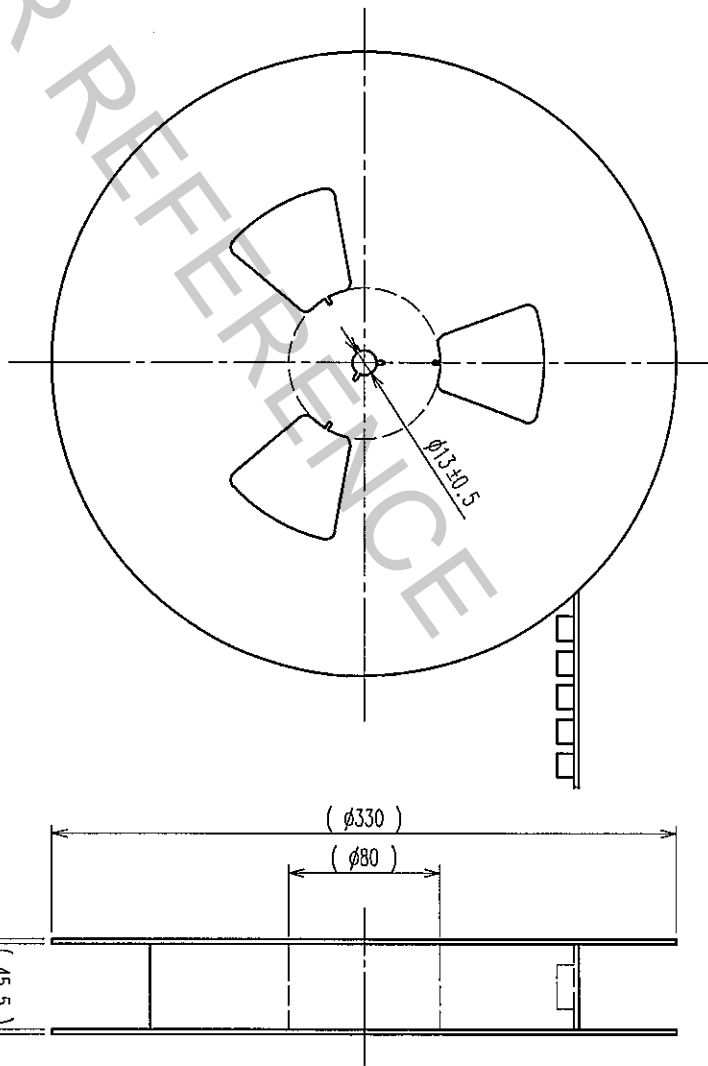
T O
P C K

COUNT	DESCRIPTION-OF REVISIONS	BY	CHKD	DATE	COUNT	DESCRIPTION OF REVISIONS	BY	CHKD	DATE

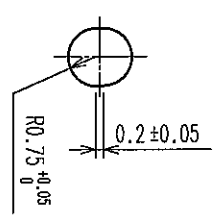
REEL DIMENSION (FREE)



THE DIRECTION OF PULLING OUT →



A (5:1)



HRS DRAWING FOR REFERENCE

NOTES
 1 REEL: 1000 CONNECTORS.
 2 MINIMUM 10 COMPARTMENTS FROM BOTH REEL ENDS REMAIN EMPTY.
 3 THIS PRODUCT HAS NO POLARITY TO TAPE AND REEL PACKAGING.

2	PET	TOP COVER TAPE	3	(CONNECTOR)					
1	PS	EMBOSSED CARRIER TAPE							
NO.	MATERIAL	FINISH, REMARKS	NO.	MATERIAL	FINISH, REMARKS				
CODE NO. (OLD)		DRAWN		CHECKED		APPROVED		RELEASED	
CL		<i>M. Takemura</i>		<i>M. Takemura</i>		<i>M. Takemura</i>			
DRAWING FOR PACKING		DRAWING NO.		PART NO.		CODE NO.			
		EDC3-152641-01		FX11A-100S-SV (21)		CL573-0743-6-21			
SCALE		UNITS							
2 : 1		mm							
HRS		HIROSE ELECTRIC CO., LTD							

TO	
PCK	