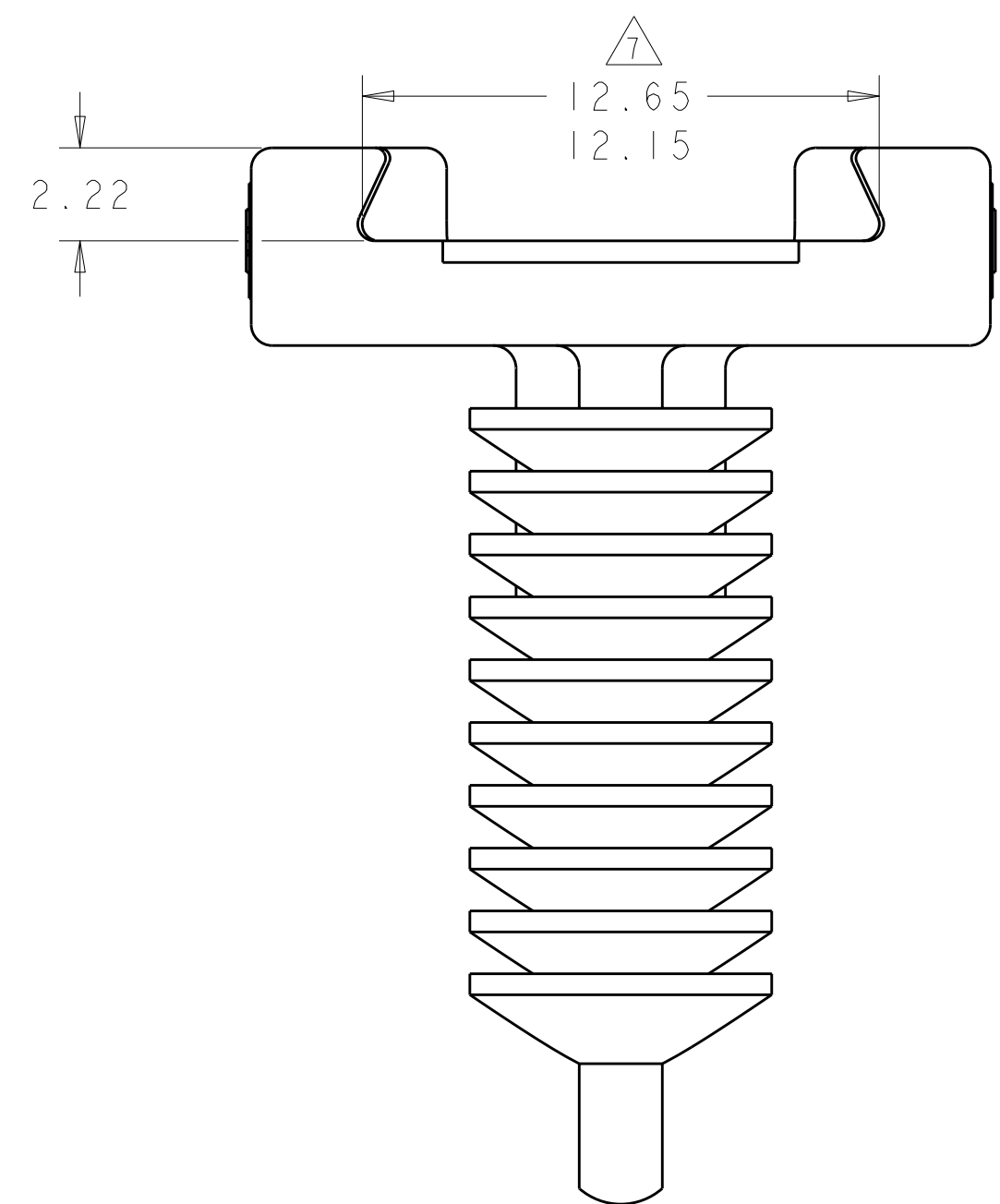


LOC	DIST	REV	DATE	BY	APPD
HK	00	C1	17AUG2010	DD	RB

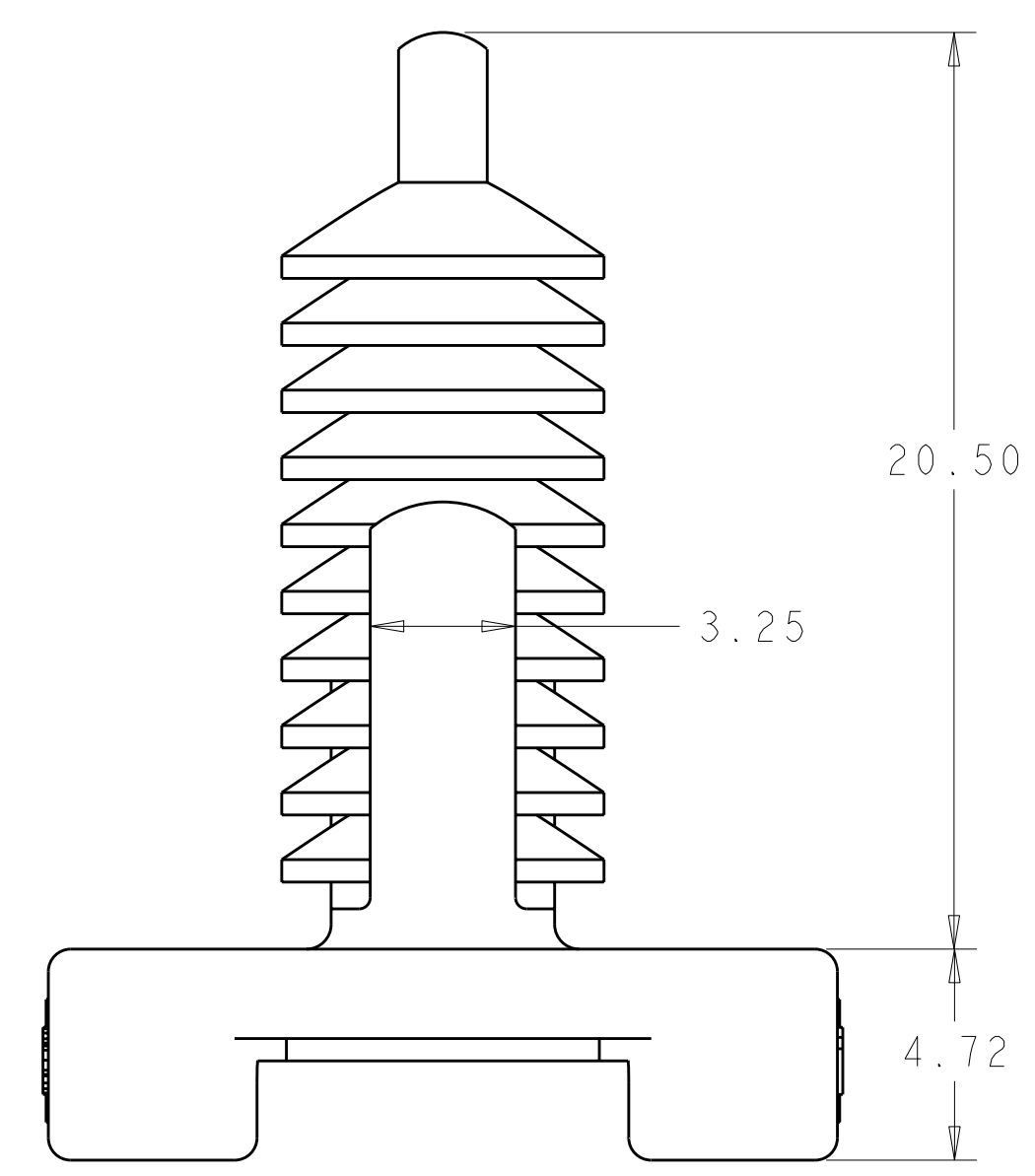
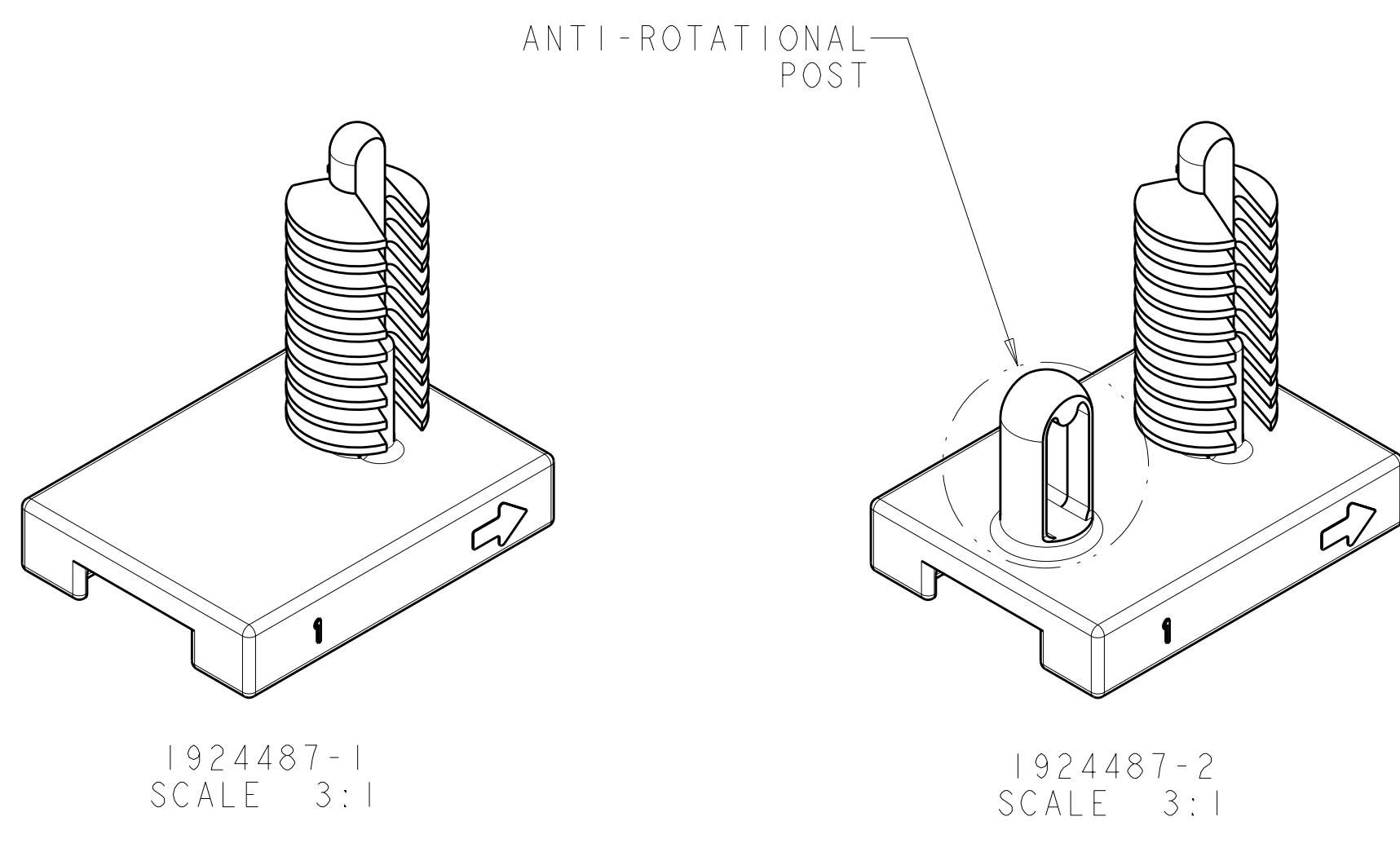
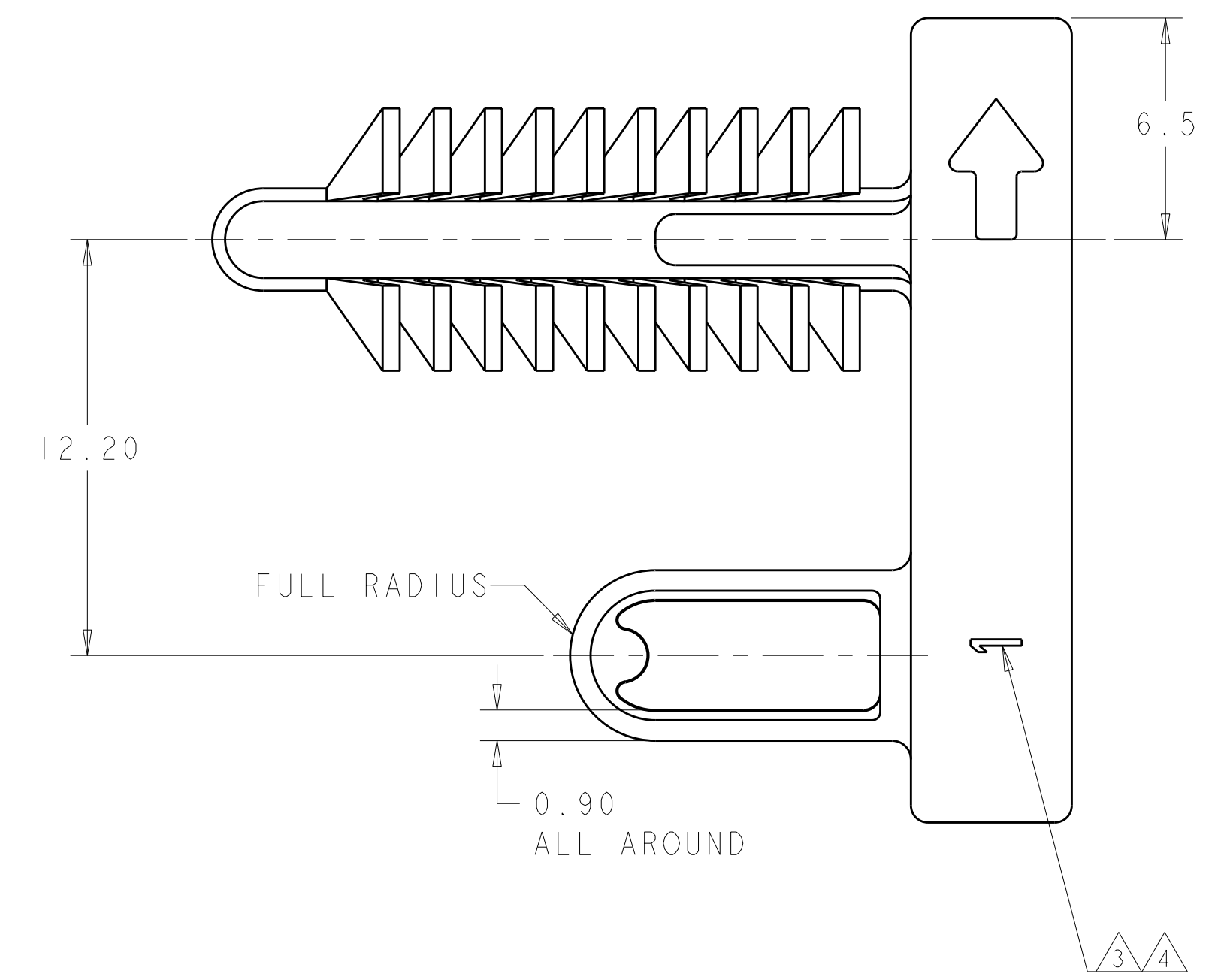
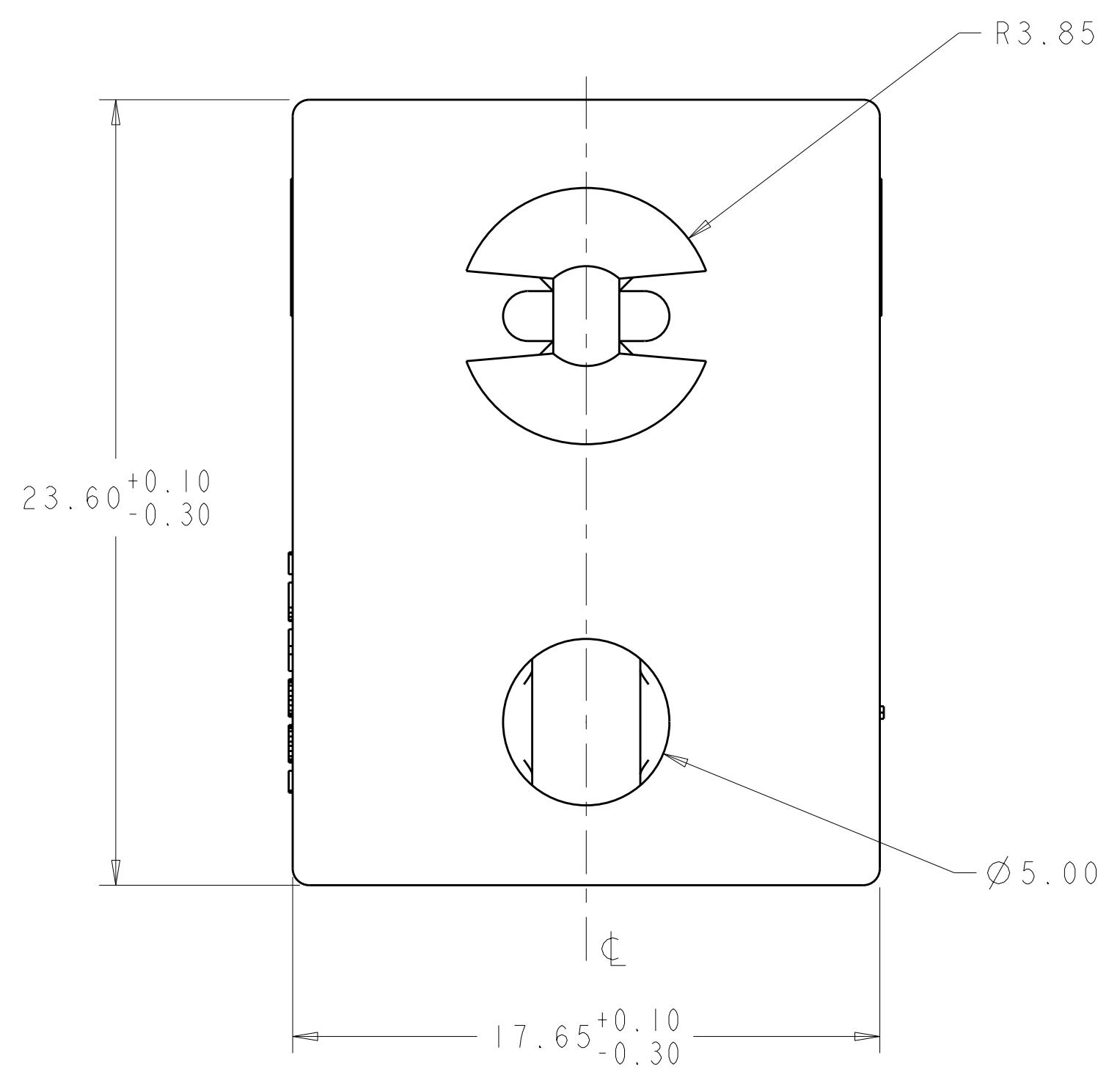
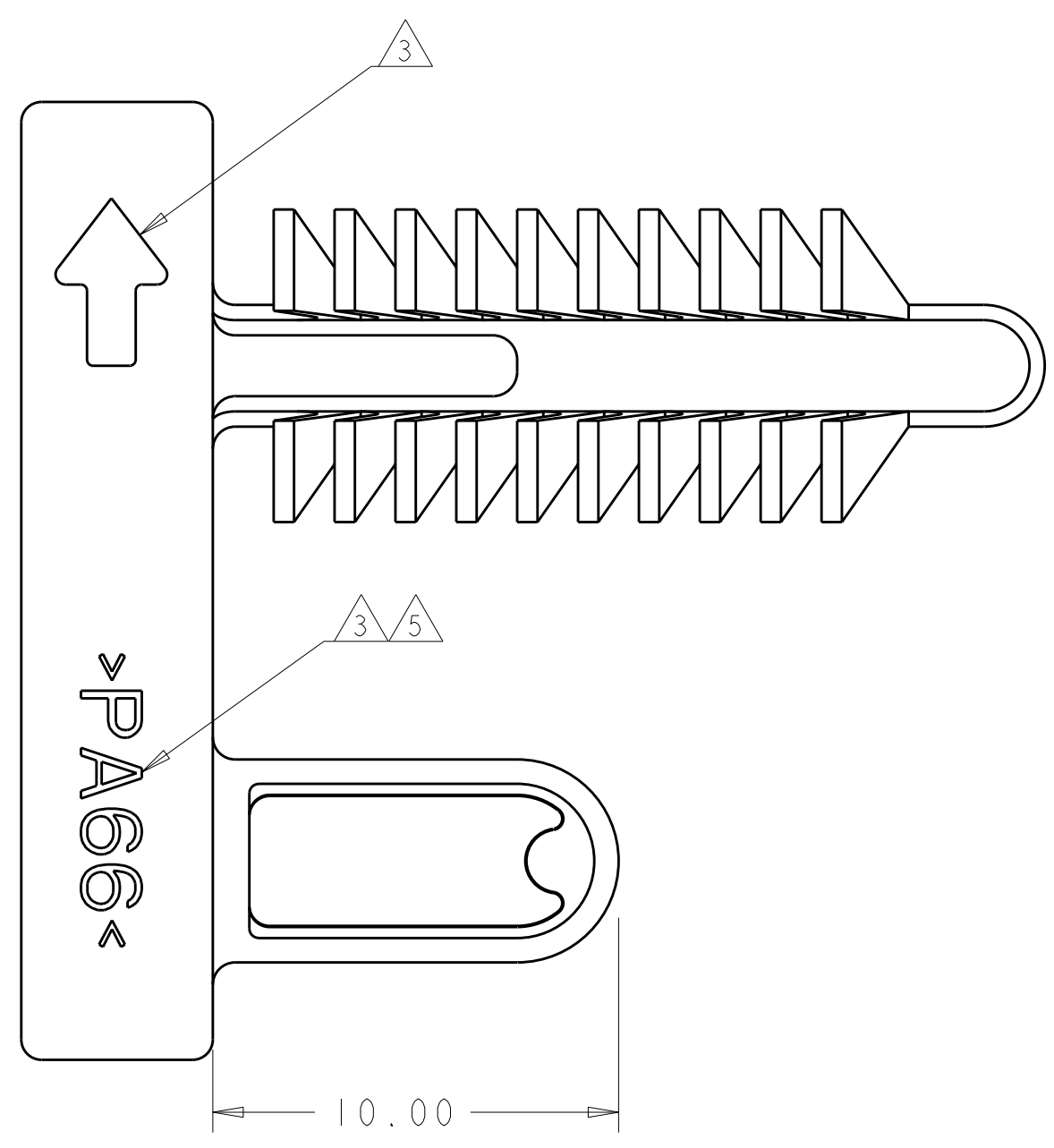
RECOMMENDED MOUNTING PARAMETERS

CONNECTOR POSITION	THREAD HOLE (THREADED)	ANTI-ROTATION HOLE (THREADED OR UNTHREADED)	THREAD DEPTH (MINIMUM)
2	M8	M6 (5.0mm)	4mm
3	M8	M6 (5.0mm)	6mm
4	M8	M6 (5.0mm)	6mm
6	M8	M6 (5.0mm)	6mm
8	M8	M6 (5.0mm)	8mm
12	M8	M6 (5.0mm)	8mm

SHEET METAL MOUNTING: DRAWN HOLES RECOMMENDED WITH HOLE PARAMETERS FROM TABLE ABOVE.



- 1. MATERIAL: NYLON 6/6, COLOR: BLACK
- 2. MOUNTING PARAMETERS: SEE RECOMMENDED MOUNTING TABLE ON LEFT SIDE.
- 3. AREA TO BE FROSTED APPROXIMATELY WHERE SHOWN.
- 4. CAVITY ID, TO BE CLEAR AND LEDGIBLE. LOCATED APPROX. AS SHOWN.
- 5. MATERIAL ID >PA66<, TO BE CLEAR AND LEDGIBLE. LOCATED APPROX. AS SHOWN.
- 6. ANTI-ROTATIONAL POST DIMENSIONS ONLY APPLY TO 1924487-2.
- 7. DIMENSION APPLIES ACROSS THE ENTIRE DRAFTED SLOT LENGTH.



10	1924487-2
-	1924487-1
NOTES	PART NUMBER

DIMENSIONS: mm TOLERANCES UNLESS OTHERWISE SPECIFIED: 9 PLC ±0.5 1 PLC ±0.3 5 PLC ±0.3 4 PLC ±0.3 ANGLES ±0.5 FINISH -		DWN J. MARKEY 22FEB2008 CHK J. MARKEY 22FEB2008 APVD J. MARKEY 22FEB2008 PRODUCT SPEC APPLICATION SPEC WEIGHT - CUSTOMER DRAWING	Tyco Electronics Harrisburg, PA 17105-3608 NAME RETAINER CLIP, AMPSEAL 16 SIZE CAGE CODE DRAWING NO A100779C=1924487 SCALE 6:1 SHEET 1 OF 1 REV C1
---	--	--	--