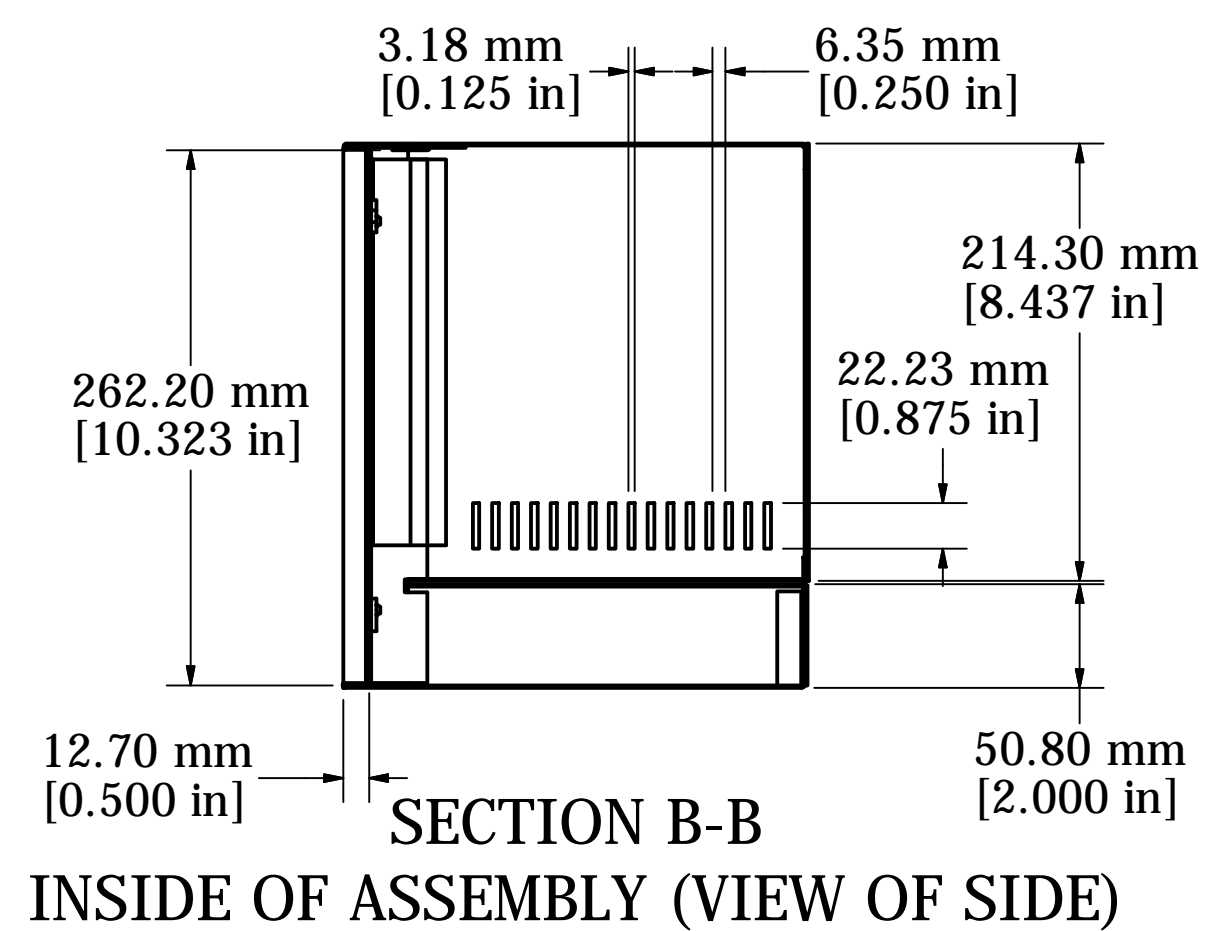
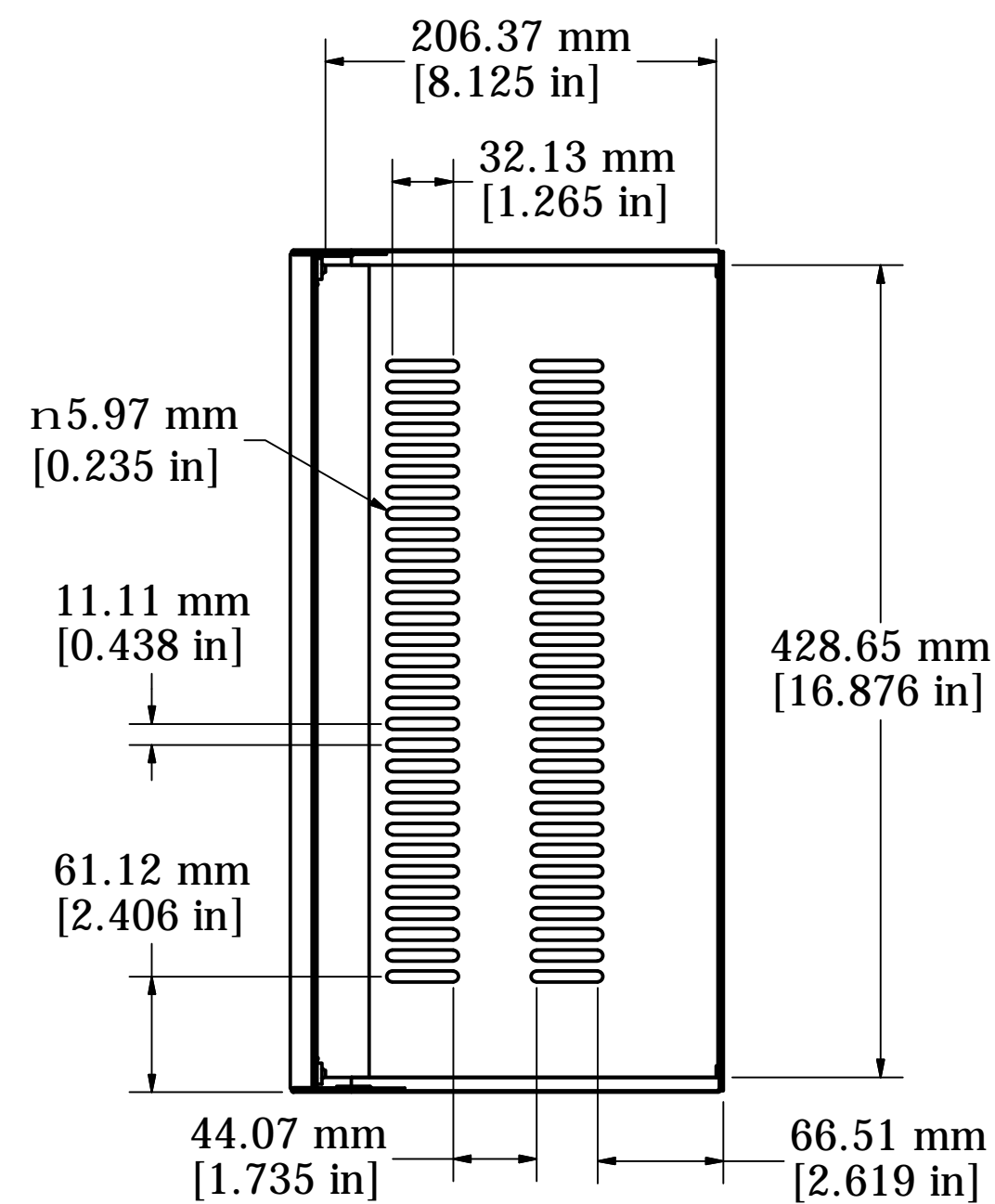


Note:

Enclosures can be Factory Modified ( Milling, Drilling, Printing etc. )  
 Contact Factory [mjm@hammondmfg.com](mailto:mjm@hammondmfg.com) for quotes  
 Solid models of this enclosure available in STEP or IGES Format.



<b>1452PG9</b>
<b>Material: 18ga. Steel base and frame, Gray color</b>
<b>Cover: Heavy duty 20 ga. Steel vented for cooling</b>
<b>Screws: 4 Supplied (#6-32 X 1/4" self tap)</b>
<b>End Panel: 0.064" (1.6mm) thick Aluminum, Black color</b>
<b>End Panel Screws: 4 supplied (#8-32 X 1/2" self tap)</b>

