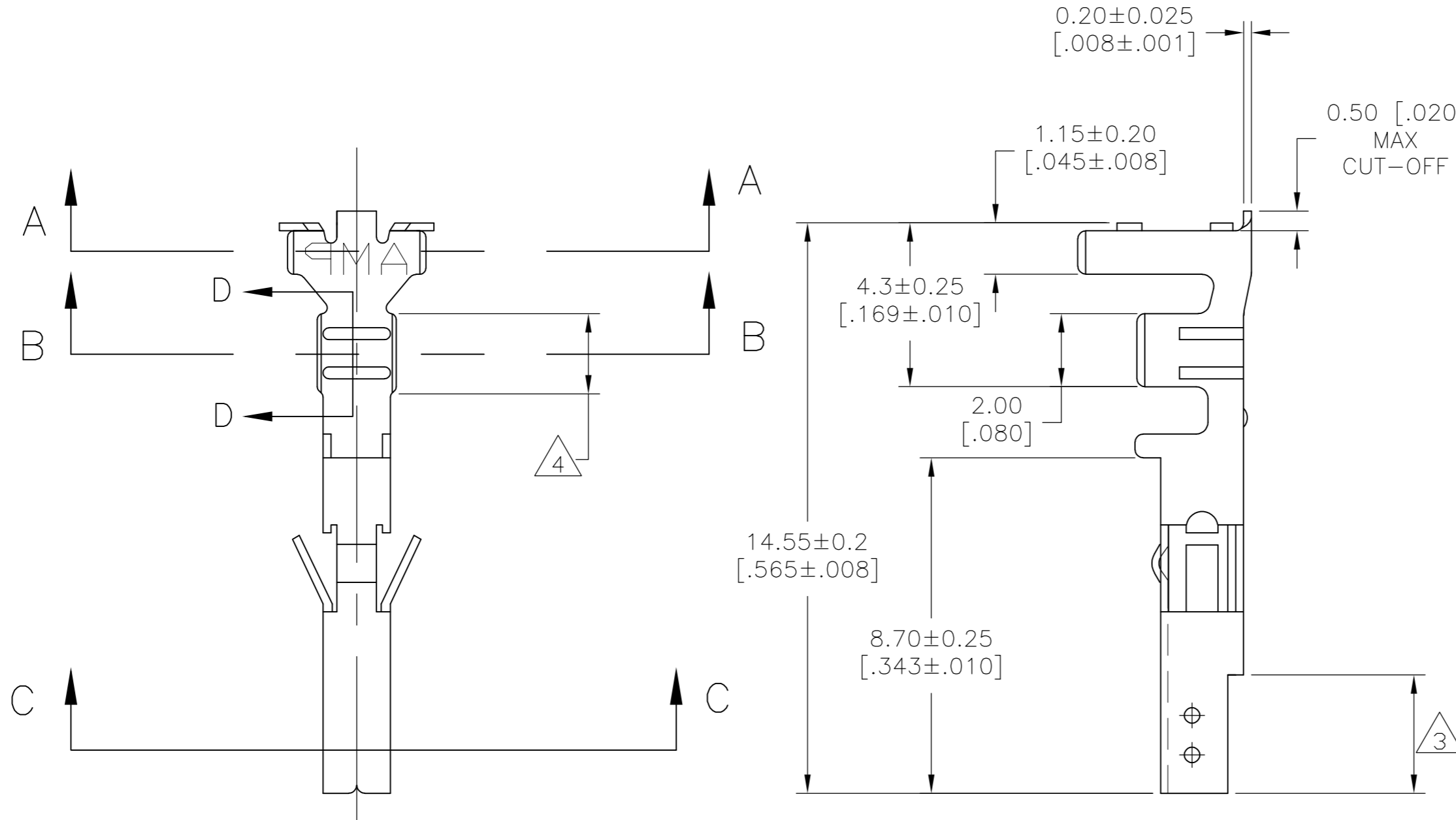
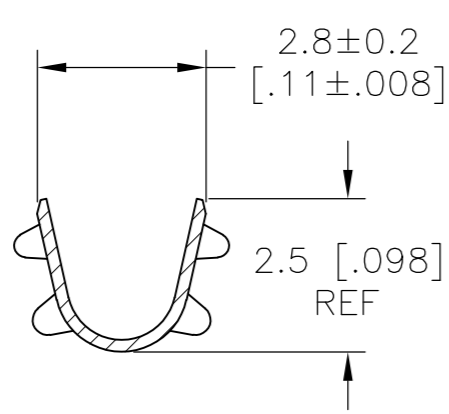


THIS DRAWING IS UNPUBLISHED. RELEASED FOR PUBLICATION
 © COPYRIGHT - By - ALL RIGHTS RESERVED.

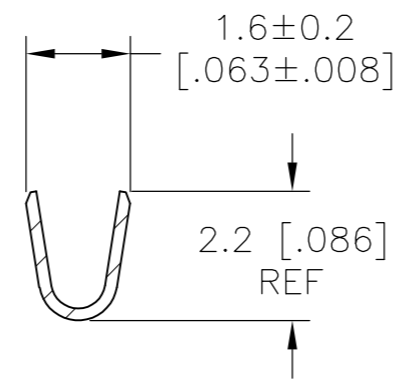
LOC		DIST		REVISIONS			
P	LTR	DESCRIPTION		DATE	DWN	APVD	
-	-	A		RELEASED PER ECO-14-006097	24APR14	JR	KR



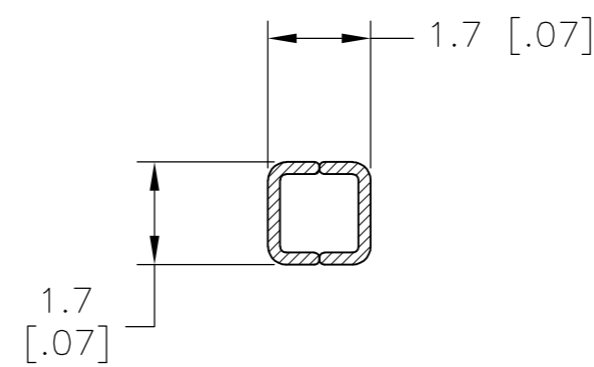
- 1 WIRE RANGE 0.13-0.3mm2 [#26-#22 AWG]
- 2 INSULATION RANGE 120-1.75 [.048-.069]
- 3 FINISH: 0.76µm MIN GOLD OVER 1.27µm MIN NICKEL REQUIRED ON INNER SURFACE, PERMITTED ON OUTER SURFACE.
- 4 FINISH: 2.54µm MIN PRE-TIN ON ALL SURFACES IN THIS AREA.
- 5 FINISH: 2.54µm MIN PRE-TIN ALL OVER
- 6 PRELIMINARY - NOT FOR PRODUCTION



SECTION A-A



SECTION B-B



SECTION C-C

GOLD 3 4	PHOS BRONZE	6 2238023-4
PRE-TIN 5	PHOS BRONZE	6 2238023-3
GOLD 3 4	BRASS	6 2238023-2
PRE-TIN 5	BRASS	2238023-1
FINISH	MATERIAL	PART NO.

THIS DRAWING IS A CONTROLLED DOCUMENT.		DWN JR RUTH 25FEB14		
DIMENSIONS: mm [INCHES]		CHK K RANDOLPH 25FEB14		
TOLERANCES UNLESS OTHERWISE SPECIFIED:		APVD K RANDOLPH 25FEB14	NAME	
0 PLC ± -		PRODUCT SPEC	SOCKET TERMINAL, VAL-U-LOK, LOOSE PIECE	
1 PLC ± -		APPLICATION SPEC	SIZE	RESTRICTED TO
2 PLC ± 0.10 [.004]		WEIGHT	A2	1 OF 1
3 PLC ± -		CUSTOMER DRAWING	CAGE CODE	REV
4 PLC ± -		SCALE	00779	A
ANGLES ± -		SCALE 8:1	DRAWING NO	
FINISH		SCALE 8:1	C=2238023	
SEE TABLE		SHEET	1 OF 1	