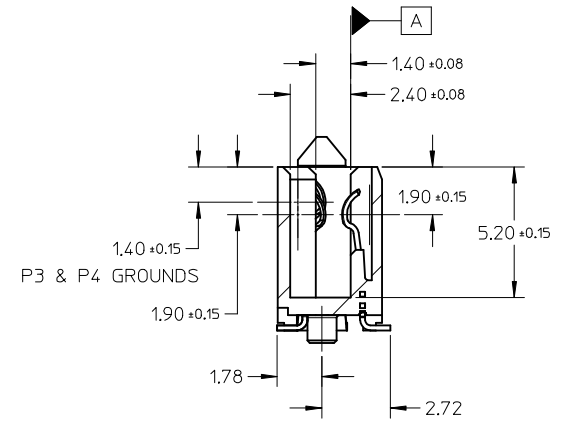
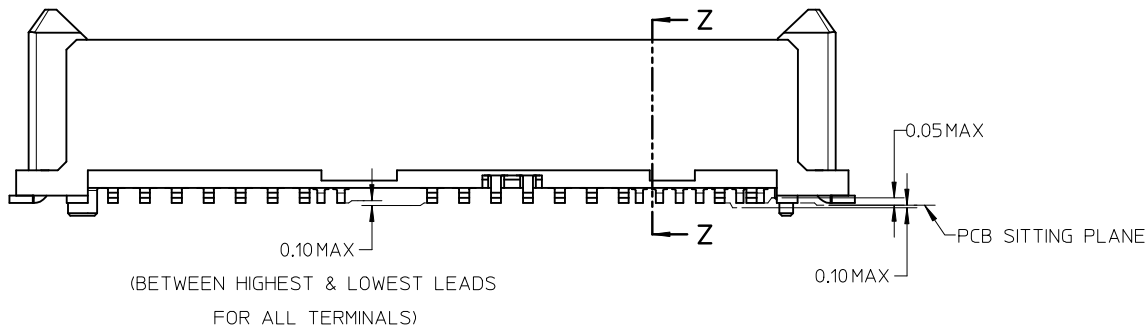
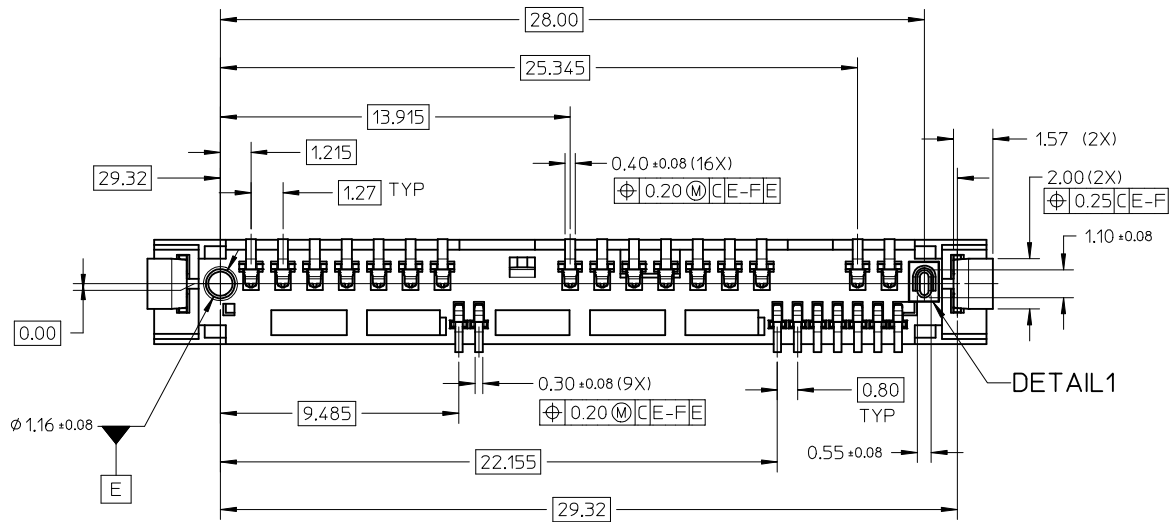


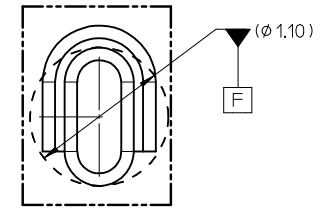
10 9 8 7 6 5 4 3 2 1



SECTION Z-Z



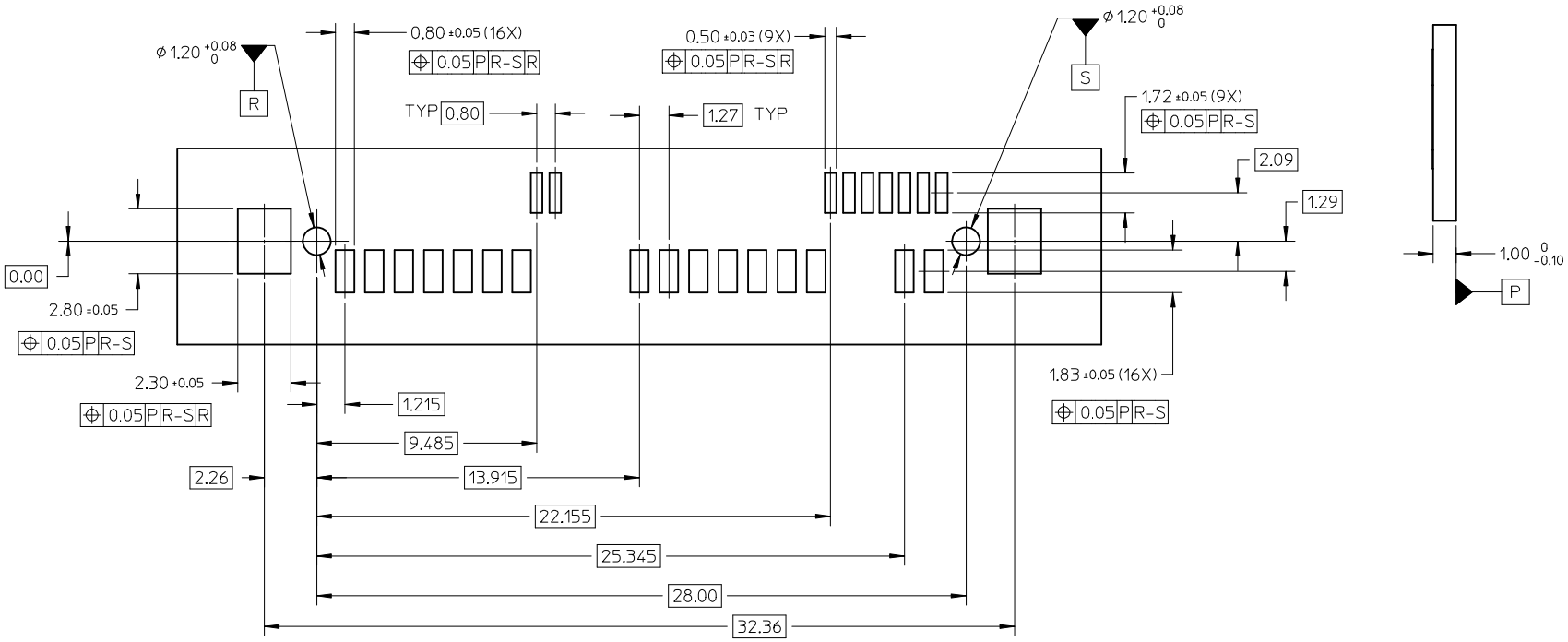
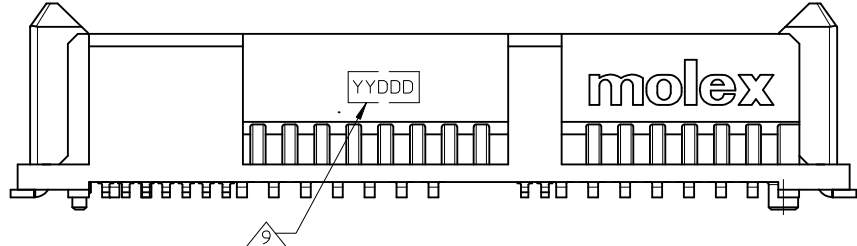
DETAIL1



DETAIL1

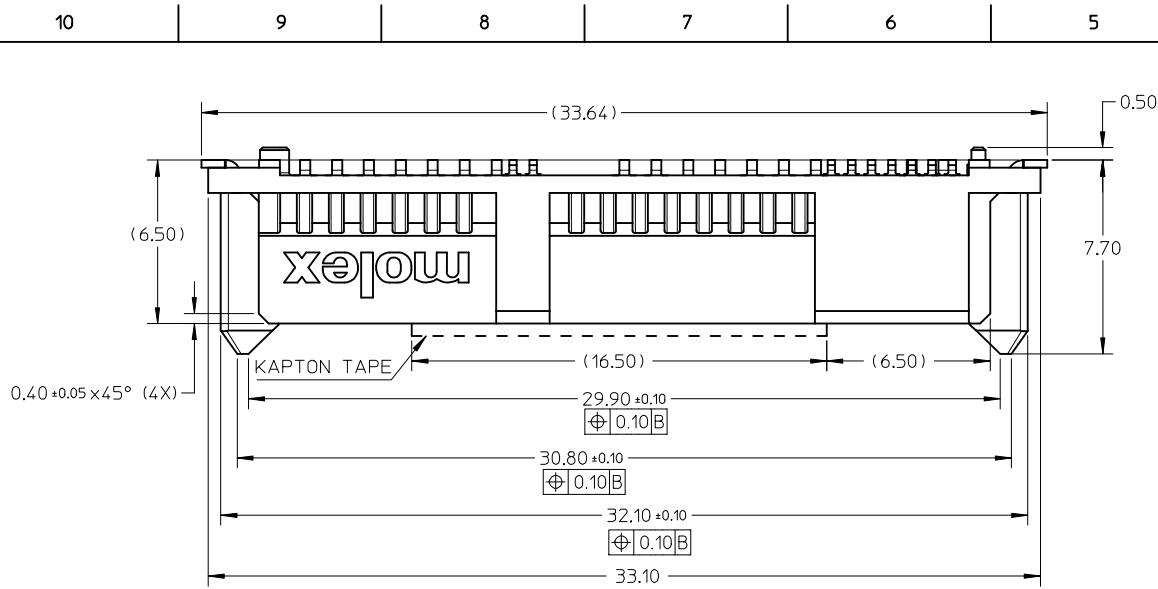
REVISED DWG REV IEC NO: S2014-1245 DRWN: BOKOK CHKD: MLONG APPR: SILENI 2014/06/16 2014/06/16 2014/07/04	QUALITY SYMBOLS F _A =0 F _C =0 F _P =0	GENERAL TOLERANCES (UNLESS SPECIFIED)		DIMENSION STYLE MM ONLY		SCALE NTS	DESIGN UNITS METRIC	THIRD ANGLE PROJECTION		
		4 PLACES ± --- ± ---	mm INCH	DRAWN BY GMENARLY	DATE 2013/03/14	TITLE MICROSAS RECEPTACLE VERTICAL SMT 1.8INCH SSD				
		3 PLACES ± --- ± ---		CHECKED BY CGOH	DATE 2013/04/24	molex				
		2 PLACES ± 0.20 ± ---		APPROVED BY BOKOK	DATE 2013/04/24					
1 PLACE ± --- ± ---		MATERIAL NO. 78832-0006		DOCUMENT NO. SD-78832-001		SHEET NO. 2 OF 3				
0 PLACE ± --- ± ---		ANGULAR ± 3 °		THIS DRAWING CONTAINS INFORMATION THAT IS PROPRIETARY TO MOLEX INCORPORATED AND SHOULD NOT BE USED WITHOUT WRITTEN PERMISSION						
DRAFT WHERE APPLICABLE MUST REMAIN WITHIN DIMENSIONS										

9 8 7 6 5 4 3 2 1



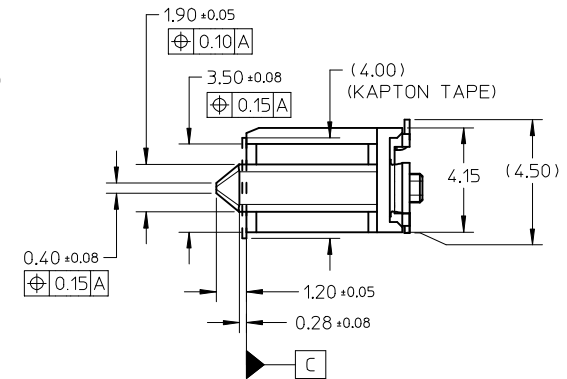
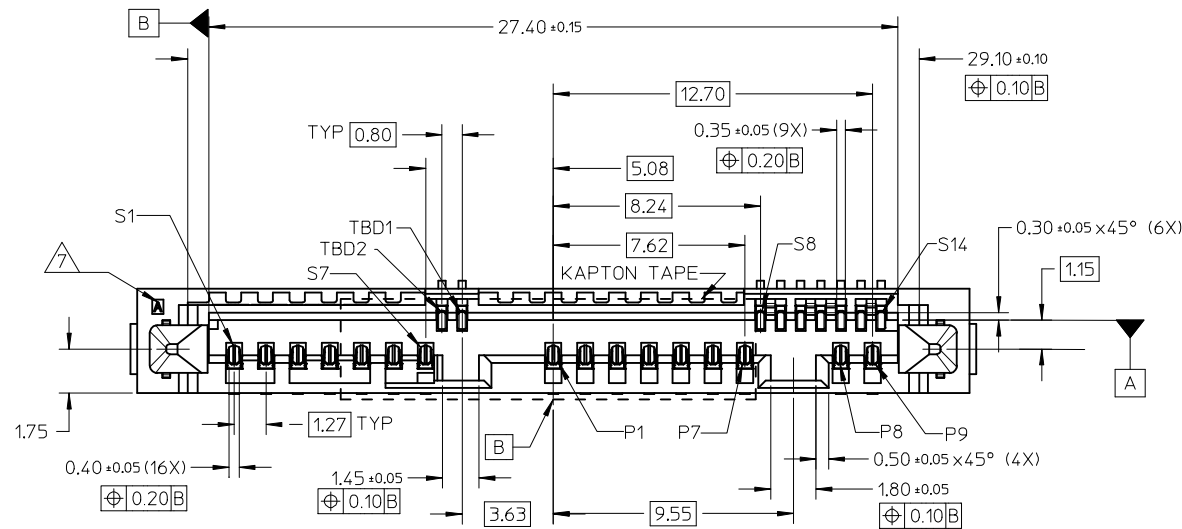
RECOMMENDED PCB LAYOUT

REVISED DWG REV EC NO: S2014-1245 DRWIN:BOKOK 2014/06/16 CHYKD:MLONG 2014/06/16 APPR:SHLENI 2014/07/04	QUALITY SYMBOLS $\nabla_F = 0$ $\nabla_F = 0$ $\nabla_F = 0$	GENERAL TOLERANCES (UNLESS SPECIFIED)		DIMENSION STYLE MM ONLY		SCALE NTS	DESIGN UNITS METRIC	THIRD ANGLE PROJECTION			
		4 PLACES ± --- ± ---	mm INCH	DRAWN BY GMENARLY	DATE 2013/03/14	TITLE MICROSAS RECEPTACLE VERTICAL SMT 1.8INCH SSD					
		3 PLACES ± --- ± ---		CHECKED BY CGOH	DATE 2013/04/24	MATERIAL NO. 78832-0006					
		2 PLACES ± 0.20 ± ---		APPROVED BY BOKOK	DATE 2013/04/24	DOCUMENT NO. SD-78832-001					
1 PLACE ± --- ± ---		ANGULAR ± 3°		SIZE A3		THIS DRAWING CONTAINS INFORMATION THAT IS PROPRIETARY TO MOLEX INCORPORATED AND SHOULD NOT BE USED WITHOUT WRITTEN PERMISSION					
0 PLACE ± --- ± ---		DRAFT WHERE APPLICABLE MUST REMAIN WITHIN DIMENSIONS				SHEET NO. 3 OF 3					

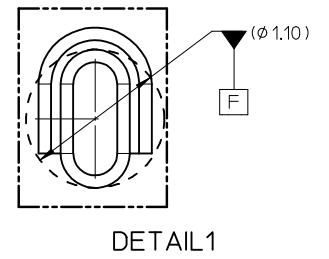
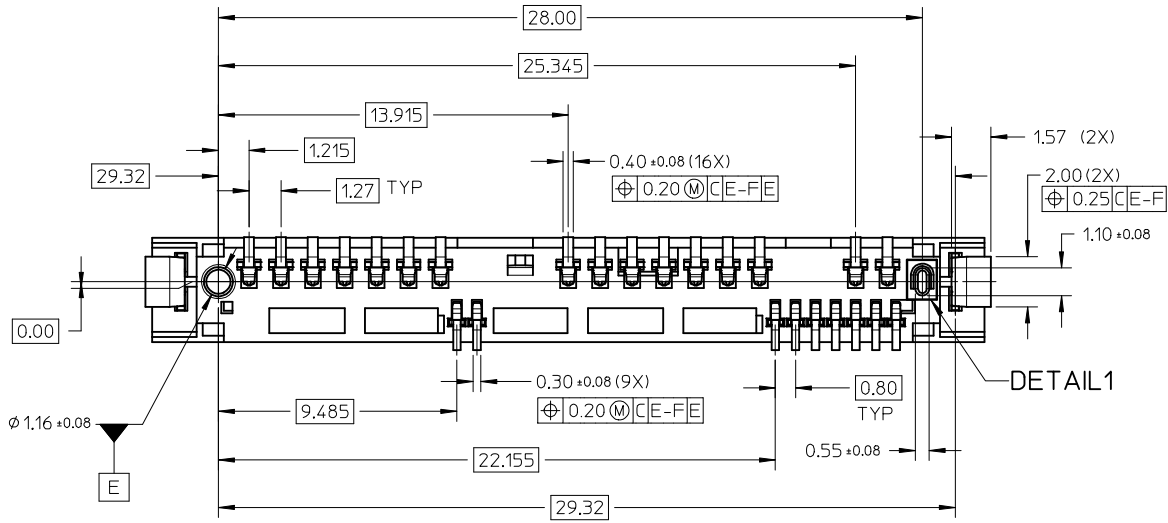
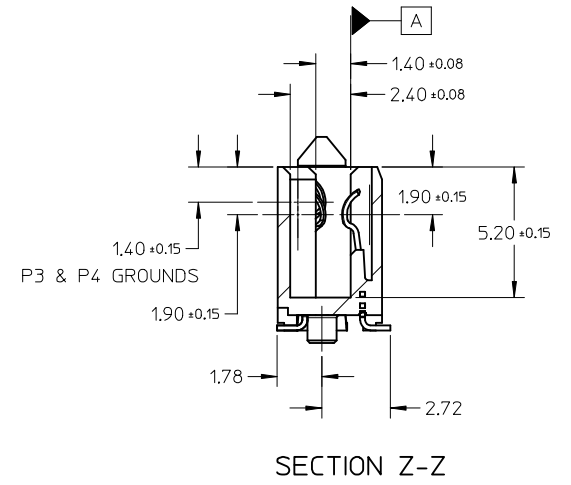
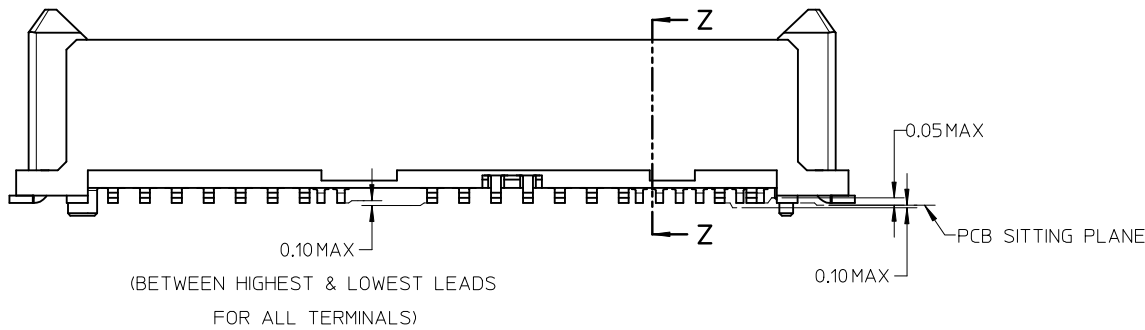


NOTES:

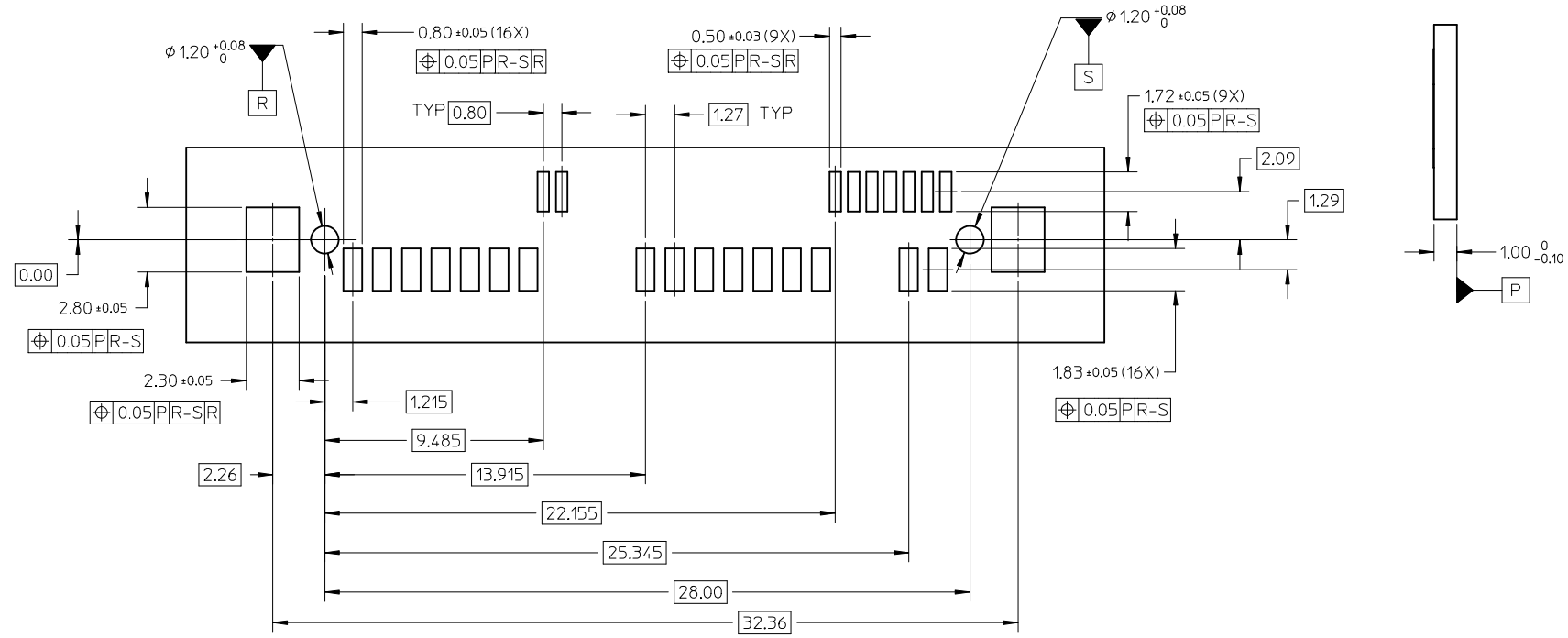
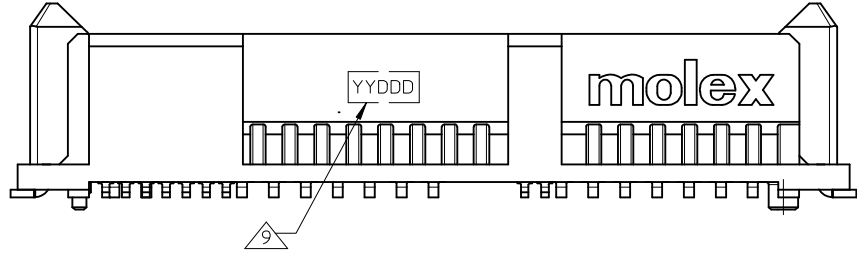
1. MATERIAL : HIGH TEMP THERMOPLASTIC, GLASS FILLED, UL 94V-0, BLACK
TERMINAL/SOLDER TAB : COPPER ALLOY
2. PLATING :
TERMINAL :
- CONTACT :0.76µm MIN. SELECTIVE GOLD OVER
1.27µm MIN. NICKEL UNDERPLATE
- SOLDERTAIL :2.54µm MIN. TIN OVER
1.27µm MIN. NICKEL UNDERPLATE
SOLDER TAB : 2.54µm MIN. MATTE TIN OVER
1.91µm MIN. NICKEL UNDERPLATE
3. PRODUCT SPECIFICATION : PS-78832-001
4. PACKAGING SPECIFICATION : PK-78832-001
5. REFER TO AS-78832-001 FOR PCB ROUTING RECOMMENDATIONS
6. THIS PRODUCT IS COMPLIANT TO RoHS DIRECTIVE WITH THE FOLLOWING BANNED SUBSTANCES - LEAD, MERCURY, CADMIUM, HEXAVALENT CHROMIUM, POLYBROMINATED BIPHENYLS AND POLYBROMINATED DIPHENYLS ETHERS.
7. MOLEX LOGO AND CAVITY NUMBER LOCATED APPROXIMATELY AS SHOWN
8. NON FUNCTIONAL CORING MAY VARY
9. WHERE DATE CODE "YYDDD",
"YY" MEANS MADE YEAR, "DDD" MEANS MADE DAY.



REVISED DWG REV IEC NO: S2014-1245 DRWN: BOKOK CH'KD: MLONG APPR: SHLENI 2014/06/16 2014/06/16 2014/07/04	QUALITY SYMBOLS $F_{\Delta} = 0$ $F_{\Delta} = 0$ $F_{\Delta} = 0$	GENERAL TOLERANCES (UNLESS SPECIFIED)		DIMENSION STYLE MM ONLY		SCALE NTS	DESIGN UNITS METRIC	THIRD ANGLE PROJECTION			
		4 PLACES ± --- ± --- 3 PLACES ± --- ± --- 2 PLACES ± 0.20 ± --- 1 PLACE ± --- ± --- 0 PLACE ± --- ± ---	mm INCH	DRAWN BY KJKOH	DATE 2013/11/21	TITLE MICROSAS RECEPTACLE VERTICAL SMT 1.8INCH SSD					
		ANGULAR ± 3 °		CHECKED BY MLONG	DATE 2014/07/04	molex					
		DRAFT WHERE APPLICABLE MUST REMAIN WITHIN DIMENSIONS		APPROVED BY BOKOK	MATERIAL NO. 78832-0006						



REVISED DWG REV IEC NO: S2014-1245 DRWN: BOKOK CHKD: MLONG APPR: SHLENI 2014/06/16 2014/06/16 2014/07/04	QUALITY SYMBOLS F _A = 0 F _B = 0 F _C = 0	GENERAL TOLERANCES (UNLESS SPECIFIED)		DIMENSION STYLE MM ONLY		SCALE NTS	DESIGN UNITS METRIC	THIRD ANGLE PROJECTION		
			mm	INCH	DRAWN BY	DATE	TITLE			
		4 PLACES	± ---	± ---	KJKOH	2013/11/21	MICROSAS RECEPTACLE VERTICAL SMT 1.8INCH SSD molex			
		3 PLACES	± ---	± ---	CHECKED BY	DATE				
						DOCUMENT NO.				
						SHEET NO.				
						2 OF 3				
						THIS DRAWING CONTAINS INFORMATION THAT IS PROPRIETARY TO MOLEX INCORPORATED AND SHOULD NOT BE USED WITHOUT WRITTEN PERMISSION				



RECOMMENDED PCB LAYOUT

REVISED DWG REV EC NO: S2014-1245 DRWIN: BOKOK 2014/06/16 CHYKD: MLONG 2014/06/16 APPR: SHLENI 2014/07/04	DESCRIPTION REV	QUALITY SYMBOLS $\nabla = 0$ $\nabla = 0$ $\nabla = 0$	GENERAL TOLERANCES (UNLESS SPECIFIED) mm INCH 4 PLACES ± --- ± --- 3 PLACES ± --- ± --- 2 PLACES ± 0.20 ± --- 1 PLACE ± --- ± --- 0 PLACE ± --- ± ---	DIMENSION STYLE MM ONLY DRAWN BY: KJKOH CHECKED BY: MLONG APPROVED BY: SHLENI MATERIAL NO.: 78832-0006	SCALE NTS DATE: 2013/11/21 DATE: 2014/07/04	DESIGN UNITS METRIC THIRD ANGLE PROJECTION	TITLE MICROSAS RECEPTACLE VERTICAL SMT 1.8INCH SSD molex	SHEET NO. 3 OF 3
		ANGULAR ± 3° DRAFT WHERE APPLICABLE MUST REMAIN WITHIN DIMENSIONS	DOCUMENT NO.: SD-78832A-001	THIS DRAWING CONTAINS INFORMATION THAT IS PROPRIETARY TO MOLEX INCORPORATED AND SHOULD NOT BE USED WITHOUT WRITTEN PERMISSION				