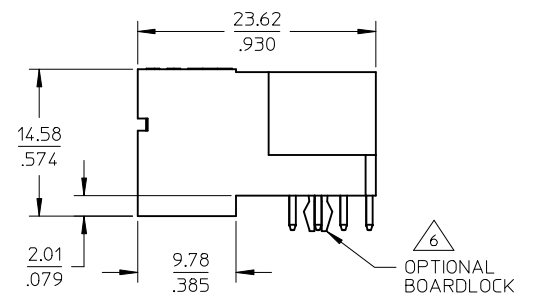
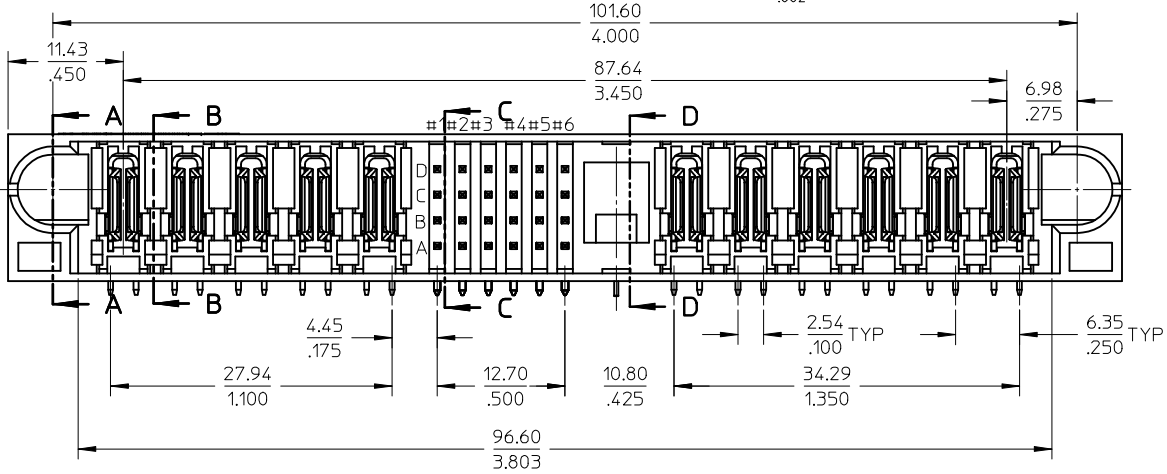
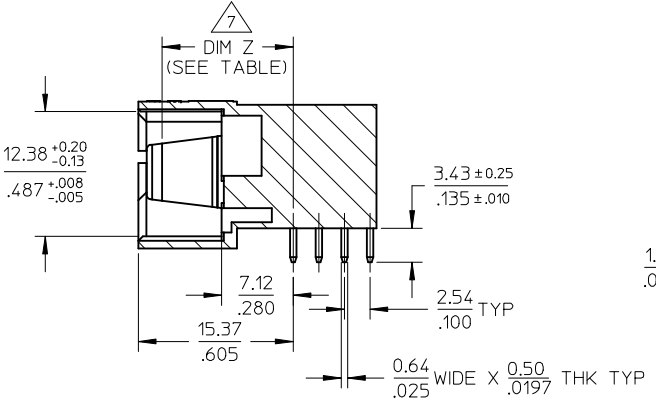


SHORT BLADE OPTION LONG BLADE OPTION

DETAIL R
(SEE TABLE FOR BLADE OPTION)

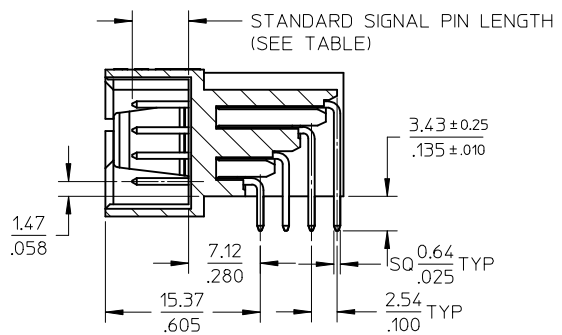


CORRECT PCB HOLE SIZE EC NO: S2009-0475 DRWN:SKANG CHKD:ATSEE APPR:MLONG	2009/01/16 2009/01/20 2009/02/05	DESCRIPTION D3	QUALITY SYMBOLS	GENERAL TOLERANCES (UNLESS SPECIFIED)	DIMENSION STYLE	SCALE	DESIGN UNITS	THIRD ANGLE PROJECTION
			▼=0 ◻=0	mm INCH 4 PLACES ± --- ± --- 3 PLACES ± --- ± .010 2 PLACES ± 0.25 ± --- 1 PLACE ± --- ± --- ANGULAR ± 3 °	MM/IN	NTS	METRIC	
			DRAWN BY: BHLOW CHECKED BY: PTLIM APPROVED BY: SKTOH	DATE: 2002/11/20 DATE: 2002/11/26 DATE: 2002/11/27	TITLE	MPS HEADER, 5P-24S-6P CONFIG., R/A, T/H		
			DRAFT WHERE APPLICABLE MUST REMAIN WITHIN DIMENSIONS		SEE TABLE	MOLEX INCORPORATED		
		SIZE: A3	THIS DRAWING CONTAINS INFORMATION THAT IS PROPRIETARY TO MOLEX INCORPORATED AND SHOULD NOT BE USED WITHOUT WRITTEN PERMISSION					



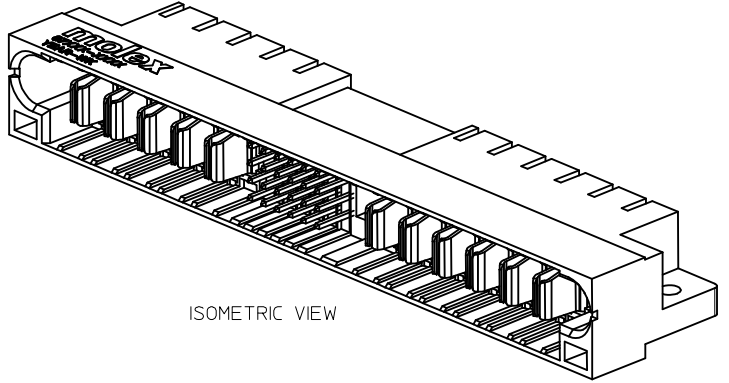
(TERMINAL LOCKING
DETAIL NOT SHOWN)

SECTION B-B



(TERMINAL LOCKING
DETAIL NOT SHOWN)

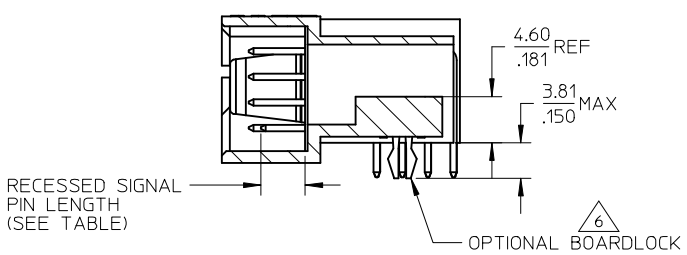
SECTION C-C



ISOMETRIC VIEW

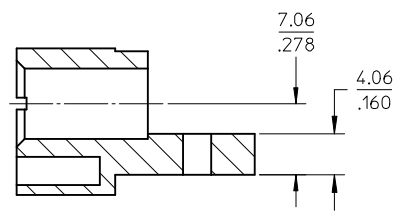
NOTES:

1. MATERIALS: HOUSING - LCP, GLASS FILLED, UL 94V-0, COLOUR: BLACK
POWER PINS - COPPER ALLOY
SIGNAL PINS - COPPER ALLOY
BOARDLOCK - STAINLESS STEEL.
 2. FINISHES: POWER & SIGNAL PINS:
SELECTIVE GOLD IN CONTACT AREA.
THICKNESS= 0.76 MICROMETER/ 30 MICROINCH MINIMUM
SELECTIVE TIN IN THE PC TAIL AREA
THICKNESS= 2.54 MICROMETER/ 100 MICROINCH MINIMUM
NICKEL OVERALL.
 3. PRODUCT SPECIFICATION: PS-87615-005.
 4. SEE SHEET 3 FOR RECOMMENDED PCB LAYOUT AND THICKNESS.
 5. MATES WITH MOLEX PART NUMBER: 87616-0001.
- △6. OPTIONAL BOARD-LOCK DEPENDS ON PCBA DESIGN AND PROCESS REQUIREMENTS.
- △7. LONG AND SHORT CONTACT BLADE OPTIONS ARE AVAILABLE FOR DIFFRENT CUSTOMER'S REQUIREMENTS.



(TERMINAL LOCKING
DETAIL NOT SHOWN)

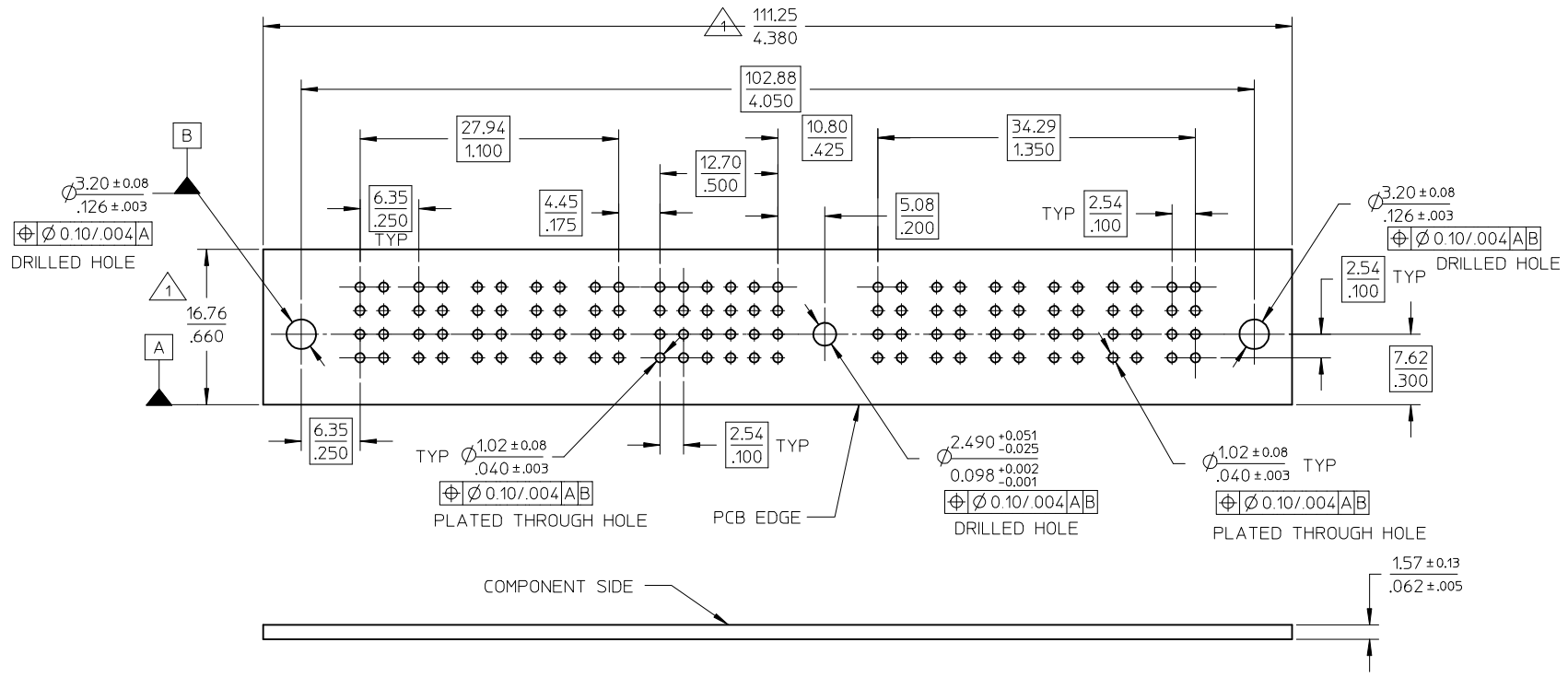
SECTION D-D



SECTION A-A

CORRECT PCB HOLE SIZE	EC NO: S2009-0475	2009/01/16	QUALITY SYMBOLS	GENERAL TOLERANCES (UNLESS SPECIFIED)		DIMENSION STYLE		SCALE	DESIGN UNITS	THIRD ANGLE PROJECTION	
	DRWN:SKANG	2009/01/20		mm	INCH	MM/IN	NTS	METRIC			
	CHKD:ATSEE	2009/01/20		4 PLACES	± ---	± ---	DRAWN BY	DATE	TITLE		
	APPR:MLONG	2009/02/05		3 PLACES	± ---	± .010	BHLOW	2002/11/20	MPS HEADER, 5P-24S-6P CONFIG., R/A, T/H		
			2 PLACES	± 0.25	± ---	CHECKED BY	DATE				
			1 PLACE	± ---	± ---	PTL IM	2002/11/26				
			ANGULAR ± 3 °			APPROVED BY	DATE				
			DRAFT WHERE APPLICABLE MUST REMAIN WITHIN DIMENSIONS			SKTOH	2002/11/27				
						MATERIAL NO.	DATE				
						SEE TABLE	DATE				
						THIS DRAWING CONTAINS INFORMATION THAT IS PROPRIETARY TO MOLEX INCORPORATED AND SHOULD NOT BE USED WITHOUT WRITTEN PERMISSION					

PART NUMBER	PART STATUS	PACKAGING	OPTIONAL BOARDLOCK △6	△7 POWER BLADE OPTIONS		STANDARD SIGNAL PIN LENGTH	RECESSED SIGNAL PIN	
				TYPE	DIMENSION Z ± 0.13/.005		LENGTH	LOCATION
87615-1001	TOOLED	TRAY	WITH BOARDLOCK	SHORT CONTACT	13.32/.524	5.59/.220	4.32/.170	A6
87615-1008	TOOLED	TRAY	WITHOUT BOARDLOCK	SHORT CONTACT	13.32/.524	5.59/.220	4.32/.170	A6
87615-1009	TOOLED	TRAY	WITH BOARDLOCK	LONG CONTACT	14.12/.556	6.86/.270	5.59/.220	A6



PCB NOTES:
 1. CONNECTOR ENVELOP DIMENSIONS, OTHER COMPONENTS PLACED ON PCB SHALL AVOID THIS ZONE.

CORRECT PCB HOLE SIZE EC NO: S2009-0475 DRWN:SKANG 2009/01/16 CH'KD:ATSEE 2009/01/20 APPR:WILONG 2009/02/05 REV D3	QUALITY SYMBOLS ▽=0 ▽=0	GENERAL TOLERANCES (UNLESS SPECIFIED) <table border="1"> <thead> <tr> <th></th> <th>mm</th> <th>INCH</th> </tr> </thead> <tbody> <tr> <td>4 PLACES</td> <td>± ---</td> <td>± ---</td> </tr> <tr> <td>3 PLACES</td> <td>± ---</td> <td>± .010</td> </tr> <tr> <td>2 PLACES</td> <td>± 0.25</td> <td>± ---</td> </tr> <tr> <td>1 PLACE</td> <td>± ---</td> <td>± ---</td> </tr> </tbody> </table>		mm	INCH	4 PLACES	± ---	± ---	3 PLACES	± ---	± .010	2 PLACES	± 0.25	± ---	1 PLACE	± ---	± ---	DIMENSION STYLE MM/IN	SCALE NTS	DESIGN UNITS METRIC	THIRD ANGLE PROJECTION
		mm	INCH																		
	4 PLACES	± ---	± ---																		
	3 PLACES	± ---	± .010																		
2 PLACES	± 0.25	± ---																			
1 PLACE	± ---	± ---																			
DRAFT WHERE APPLICABLE MUST REMAIN WITHIN DIMENSIONS		DRAWN BY BHLW	DATE 2002/11/20	TITLE MPS HEADER, 5P-24S-6P CONFIG., R/A, T/H																	
		APPROVED BY SKTOH	DATE 2002/11/27	MOLEX MOLEX INCORPORATED																	
		MATERIAL NO. SEE TABLE	DOCUMENT NO. SD-87615-010	SHEET NO. 3 OF 3																	