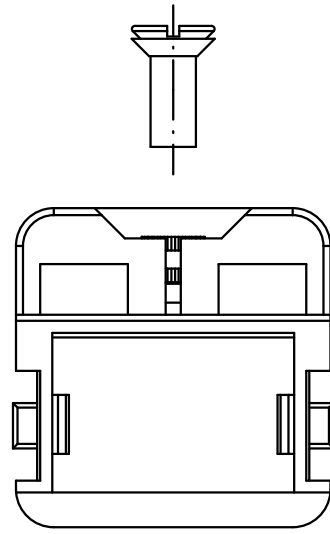
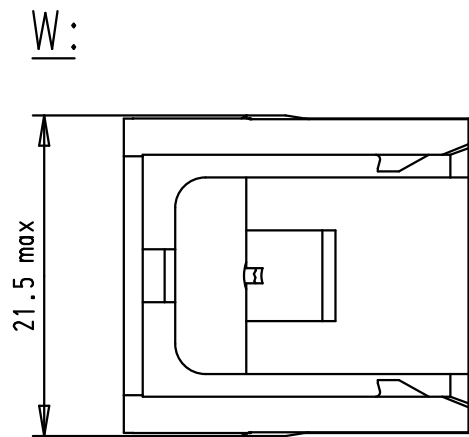
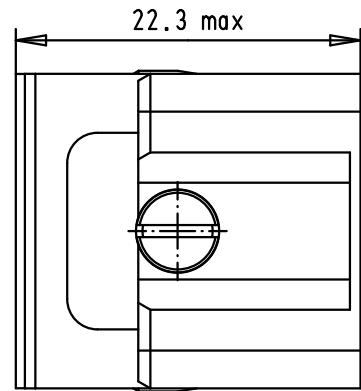
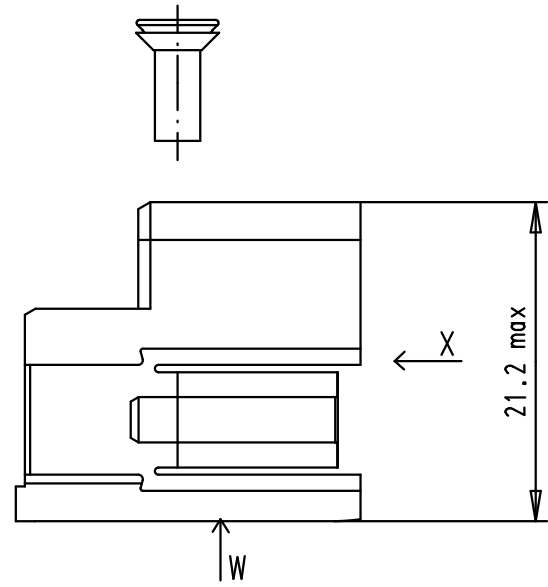
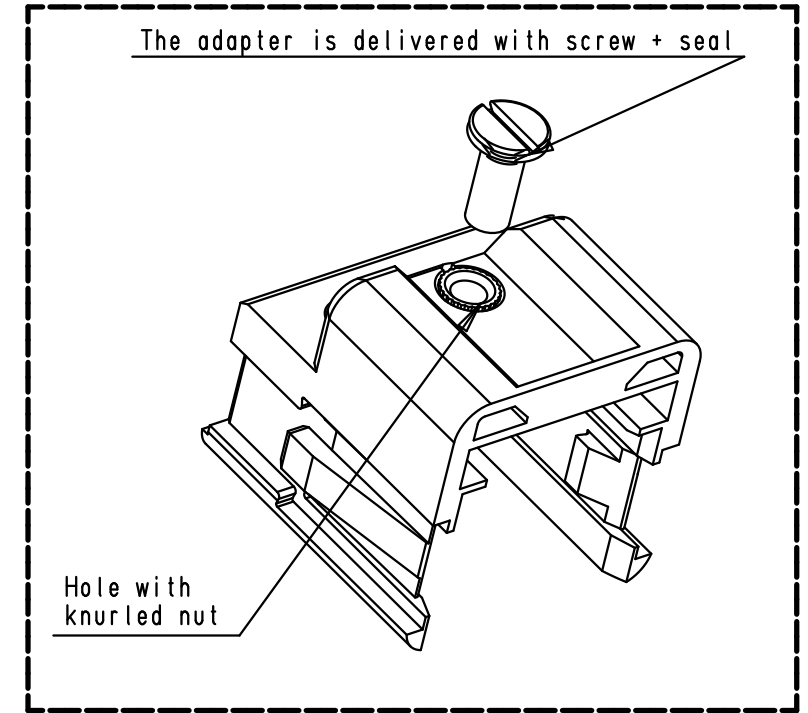
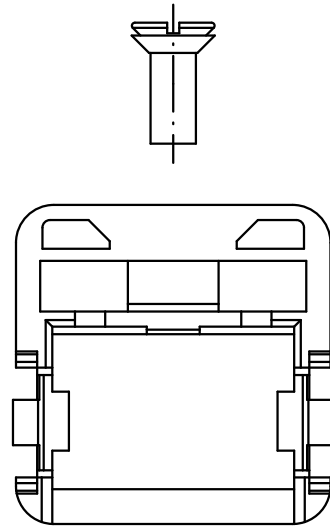


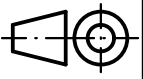

Alle Rechte vorbehalten. All rights reserved



X:



Screw screwing torque: 0.5 N.m

			Det.	Name	 All Dim. in mm Orig. Size DIN A3	Han03A receptacle housing adapter for HIFF inserts including fixing screw	Maßstab/ Scale 2:1	
			Detail.	27/07/10				AB
			Insp.					
			Stand.					
36238	15/11/10	AB	HARTING EURL F-95972 Paris			TB 09 45 515 0024	Blatt/ Page 1 / 1	
36087	27/07/10	AB						
Mod.	Det.	Name						