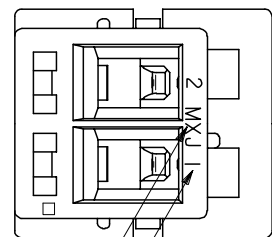
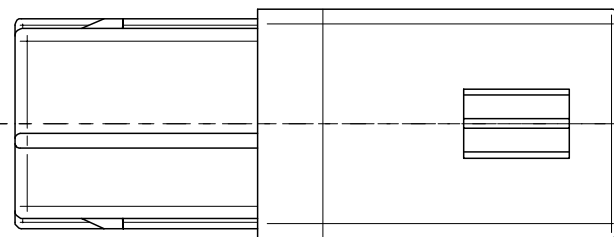


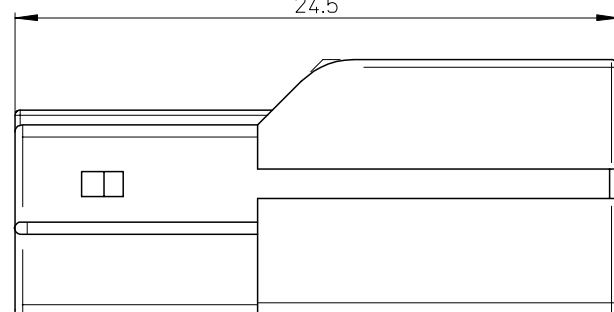
10 9 8 7 6 5 4 3 2 1



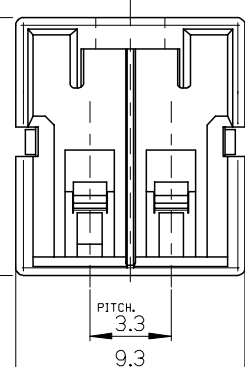
トレードマーク
TRADE MARK.
回路番号
CKT No.



24.5



10.45

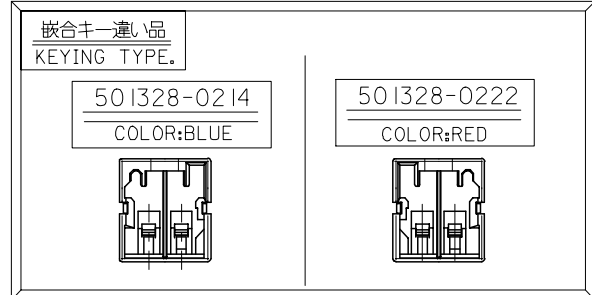
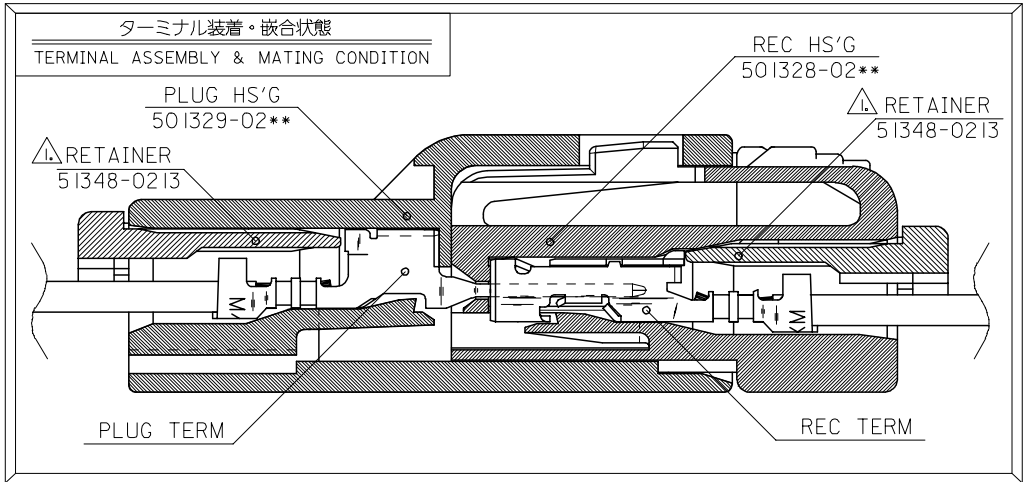


PITCH.
3.3
9.3

注記
NOTES.

- △ 適合リテーナ : 51348-0213
APPLICABLE RETAINER
詳細は SD-51348-001 を参照下さい。
REFERENCE:SD-51348-001
- 2. 材料 : NYLON66,UL94V-0
MATERIAL

本形状は 501329-0200 を示す。
SHAPE OF 501329-0200



BLUE	501329-0214	501329-02**
RED	501329-0222	
WHITE	501329-0200	
COLOR	MATERIAL No.	MODEL No.

RELEASED EC NO: J2005-2177 DRWN: T00A 2005/03/31 CHKD: K.ASAKAWA 2005/03/31 APPR: S.ICHIKAWA 2005/03/31	GENERAL TOLERANCES (UNLESS SPECIFIED)		DIMENSION STYLE MM ONLY		SCALE 5:1	DESIGN UNITS METRIC	THIRD ANGLE PROJECTION
	10 UNDER	±0.2	DRAWN BY T.ODA	DATE '04/09/30	TITLE 3.3 W/W INERTIA LOCK CONN PLUG 2CKT		
	10 OVER 30 UNDER	±0.25	CHECKED BY K.ASAKAWA	DATE '04/09/30	MOLEX INCORPORATED		
	30 OVER	±0.3	APPROVED BY S.ICHIKAWA	DATE '04/09/30			
	ANGULAR	±3 °	MATERIAL NO. SEE CHART		DOCUMENT NO. SD-501329-001	SHEET NO. 1 OF 1	
DRAFT WHERE APPLICABLE MUST REMAIN WITHIN DIMENSIONS		SIZE A3		THIS DRAWING CONTAINS INFORMATION THAT IS PROPRIETARY TO MOLEX INCORPORATED AND SHOULD NOT BE USED WITHOUT WRITTEN PERMISSION			