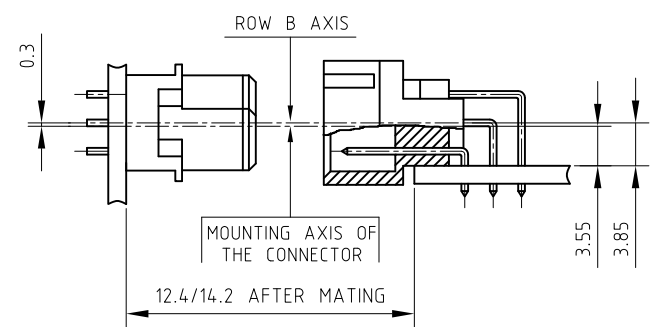
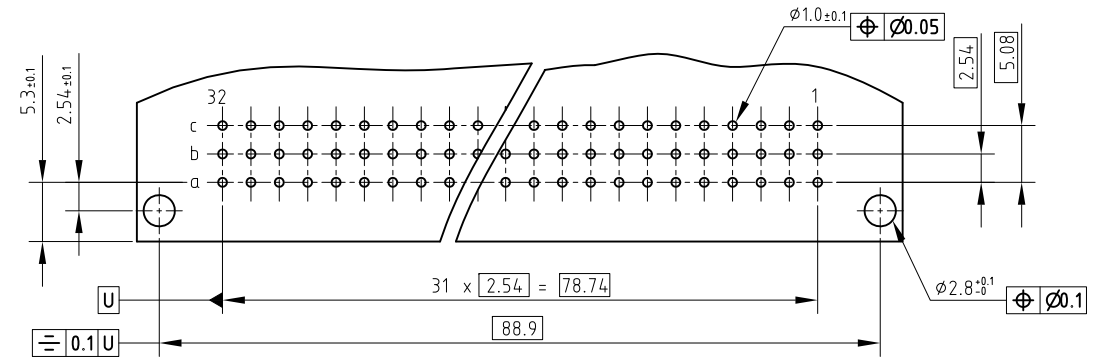


PCB DRILLING DETAILS



TECHNICAL SPECIFICATION

HOUSING MATERIAL : HIGH TEMPERATURE THERMOPLASTIC POLYESTER UL94V-0, NATURAL
 HOUSING CAN WITHSTAND EXPOSURE TO 260°C PEAK TEMPERATURE FOR 30 SECONDS IN A CONVECTION, INFRARED OR VAPOUR REFLOW SOLDER APPLICATION

CONTACT / HARPOON MATERIAL : COPPER ALLOY

CONTACT ACTIVE ZONE PLATING : AU/GXT™ OVER NICKEL

CONTACT TERMINATION ZONE/HARPOON PLATING

LEAD FREE VERSION : TIN (PURE MATTE) OVER NI

ELECTRICAL DATA

CURRENT RATING AT 20°C : 1.5 A

CURRENT (I MAX) : 2 A

TEMPERATURE RANGE : -55°C/+125°C

CONTACT RESISTANCE : ≤ 20mΩ

INSULATION RESISTANCE : ≥ 10⁶ MΩ

TEST VOLTAGE (rms) : 1000V

MECHANICAL DATA

INSERTION FORCE PER CONTACT : ≤ 0.94N

EXTRACTION FORCE PER CONTACT : ≥ 0.15N

REFERENCE SPECIFICATIONS : DIN 41612 / IEC 603-2

SERIES	8609	3	96	7	1	13	B	5	5	F1LF
ROWS FITTED WITH CONTACTS										
Rows a b c	3			96						
Rows a - c	4			64						
NUMBER OF CONTACTS										
TYPE OF INSULATOR										
3 ROW MALE INSULATOR	7									
METHOD OF MOUNTING										
STANDARD MOUNTING - STYLE C/2	1									
TERMINATION										
ANGLED SPILL	13									
OPTIONS										
HIGH TEMPERATURE HOUSING (NATURAL)										B
HIGH TEMPERATURE HOUSING (NATURAL) WITH HARPOONS										T
PERFORMANCE CLASS										
DIN 41612 CLASS 3										4
DIN 41612 CLASS 2										5
DIN 41612 CLASS 1										6
AS PER MIL C 55302/ JSS 50808										8
PITCH PER ROW										
2.54										5
SPECIAL CODE : F1LF	HIGH TEMPERATURE INSULATOR, LEADFREE VERSION									

NOTES:

- THE "LF" PRODUCTS MEET EUROPEAN UNION DIRECTIVES AND OTHER COUNTRY REGULATIONS AS DESCRIBED IN GS-47-0004.
- LEAD FREE OR RoHS DIRECTIVE LABELING TO BE PROVIDED AS PER GS-14-920 FOR LEAD FREE VERSION.
- FOR GENERAL CHARACTERISTICS AND RoHS INFORMATION, REFER DRAWING C-8609-0000A.

mat'l. code		surface		tolerance		projection		product family	
SEE TECH. SPEC.		ISO 1302 ✓		ISO 406 ISO 1101		mm		8609	
ltr		ecn no		date		tolerances unless otherwise specified		title	
A		-		MJA 2016-11-29		.0±1		DIN STANDARD HEADER	
-		-		-		0°±1°		ANGLED SPILL DIN 41612 STYLE-C	
-		-		-		0°±1°		(HIGH TEMPERATURE VERSION)	
-		-		-		scale 3:2		dwg no	
-		-		-		Amphenol FCI		sheet 1 of 1	
-		-		-		-		size	
-		-		-		-		A3	
-		-		-		-		type	
-		-		-		-		Product Customer Drawing	
sheet index		revision sheet		A 1					