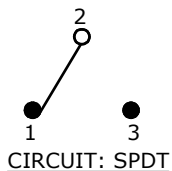


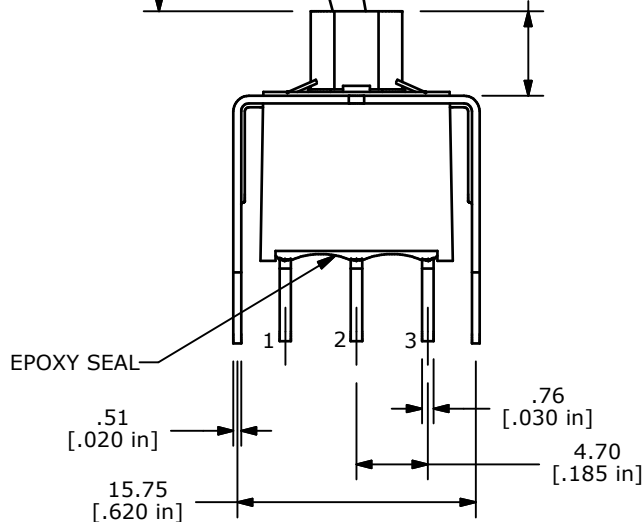
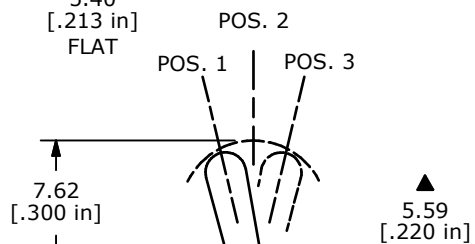
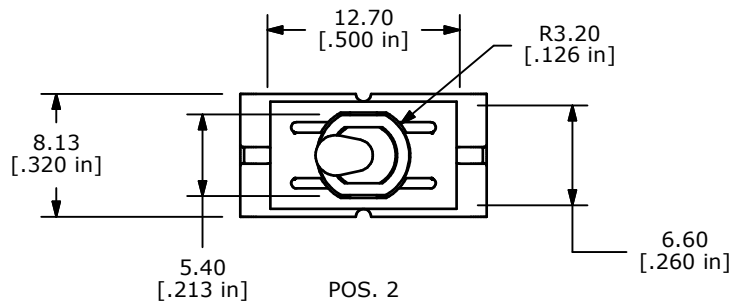
PCB LAYOUT

SWITCH FUNCTION		
POS. 1	POS. 2	POS. 3
ON	OFF	ON
2-3	OPEN	2-1

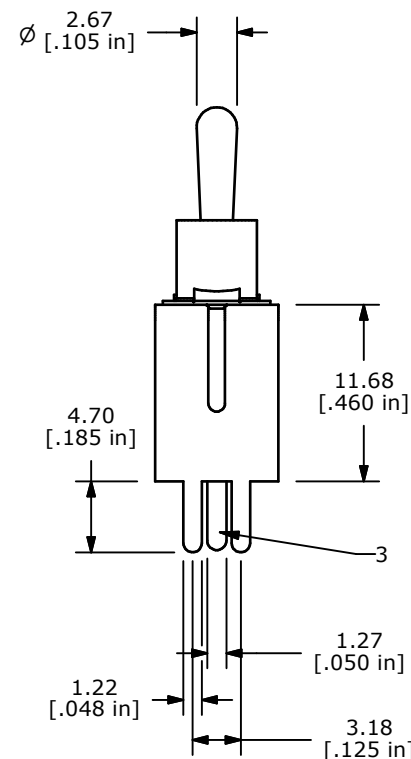
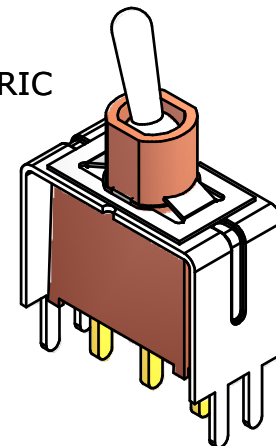


NOTES:

1. ALL DIMENSIONS IN MM [INCH]
2. GENERAL TOLERANCE: X.X=±0.4
X.XX=±0.25
3. TERMINAL NUMBERS FOR REF ONLY
- ▲ 4. PLATING MATERIAL: SILVER
5. RATING: 5A @ 120 VAC (or 28 VDC)
2 @ 250 VAC
6. CONTACT RESISTANCE: 100 MILLI-OHM MAX.
- 7 LIFE EXPECTANCY: 30,000 MAKE-AND-BREAK
CYCLES AT FULL LOAD.
- 8 INSULATION RESISTANCE: 1,000 MEGA-OHM MIN.
- 9 DIELECTRIC STRENGTH: 1,000 V RMS @SEA LEVEL.
10. PERATING TEMP.: -30°C to 85°C
- 11 ▲ DENOTES CRITICAL PARAMETER.
12. 2002/95/EC (ROHS) COMPLIANT.



ISOMETRIC



B	18546	ACTUATOR HEIGHT DIM TO BE 7.62 mm	6/1/09	BLR
A	18531	RELEASED FOR PRODUCTION	5/28/09	BLR
REV	PCR NO	DESCRIPTION	DATE	BY

TITLE 100AWSP3T2B4VS2QE				
SCALE 2:1	DATE 6/1/2009	DR BLR	DWG T102275	REV B

THE INFORMATION CONTAINED IN THIS DOCUMENT IS PROPRIETARY TO E-SWITCH AND IS NOT TO BE COPIED OR TRANSFERRED