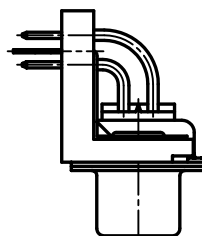
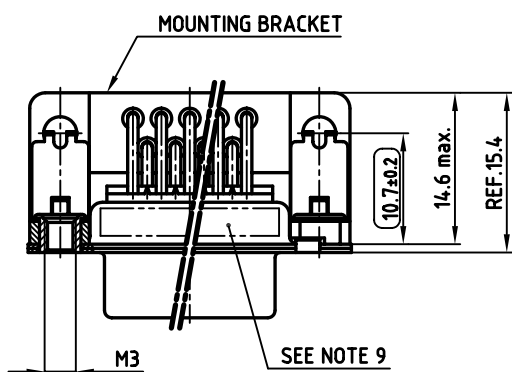
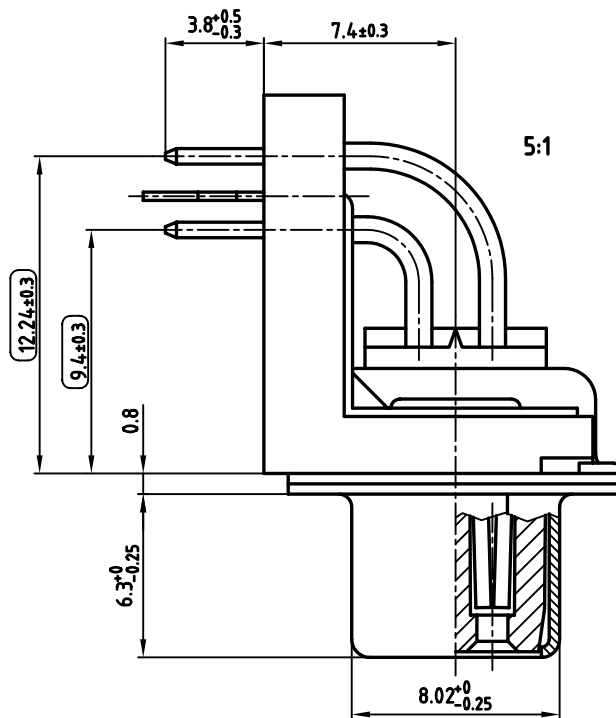
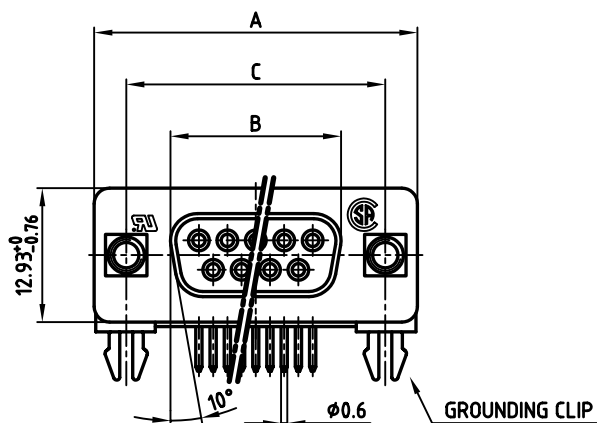


used for: D-SUB



NOTES:

1. METALSHELLS: STEEL; min. 320µ" TIN
2. INSULATORS: PBT GF UL 94 V-0, BLACK
3. CONTACTS: COPPER ALLOY
PLATING: 8µ" HARD GOLD OVER min. 50µ" NICKEL
4. MOUNTING BRACKET: PBT GF UL 94 V-0, BLACK
5. THREADED INSERT: COPPER ALLOY; min. 200µ" TIN over 80µ" NICKEL
6. GROUNDING-CLIP: COPPER ALLOY; min. 200µ" TIN over 80µ" NICKEL
PCB-HOLE: $\phi 3.1 \pm 0.1$; PCB THICKNESS 1.6mm
7. P.C.B. HOLE DRILLINGS ON SHEET 2
8. MAXIMUM TORQUE VALUE FOR THREAD: 6" LBS
9. CONNECTOR IS PART MARKED: PART-NO. CONEC ABC
10. = CHECK DIMENSION

Directive 2002/95/EC
"RoHS"
Compliant

POS.	A -0.76	B -0.25	C	PART NO.
9	31.19	16.46	25.00 $\begin{smallmatrix} +0.12 \\ -0.13 \end{smallmatrix}$	164A13009X
15	39.52	24.79	33.30 $\begin{smallmatrix} +0.15 \\ -0.10 \end{smallmatrix}$	164A13019X
25	53.42	38.50	47.04 ± 0.13	164A13029X
37	69.70	54.96	63.50 ± 0.13	164A13039X

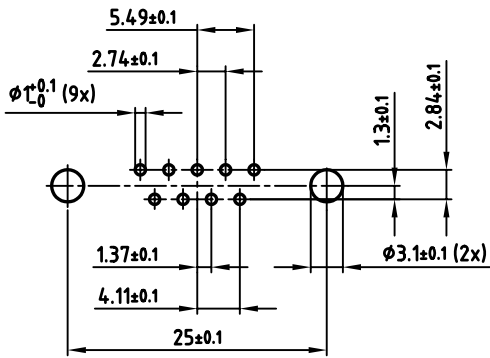
APPROVAL # FREIGABE # DEBLOCAGE # AUTORIZACION # APPROVAL	
CUSTOMER APPROVAL DATE:	
NAME:	TITLE:
COMPANY NAME:	
APPROVAL # FREIGABE # DEBLOCAGE # AUTORIZACION # APPROVAL	

THIS DRAWING MAY NOT BE COPIED OR REPRODUCED IN ANY WAY, AND MAY NOT BE PASSED ON TO A THIRD PARTY, WITHOUT WRITTEN PERMISSION.
OWNERSHIP AND COPYRIGHT OF CONEC GmbH
DO NOT ALTER CAD DRAWING BY HAND

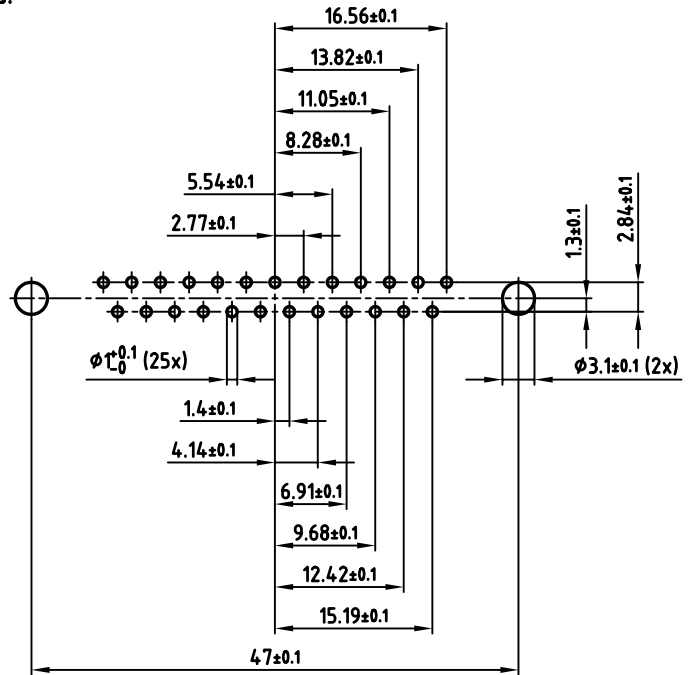
tolerance		dim. in mm	scale: 2:1 (5:1)
material: SEE NOTES			title:
2004	date	name	D-SUB FEMALE 90° 9-37pos. 0.370inch with monting bracket threaded insert and grounding clip
drawn	04.05.	Schmidt	
appd.	04.05.	Mickenbecker	
norm	DIN 41652		
d-old			dwg no: AutoCAD 2004
CONEC			16K1A1147
rev.	description	date	name
			part no: SEE TABLE

DIN-A	
3	sh:1/2

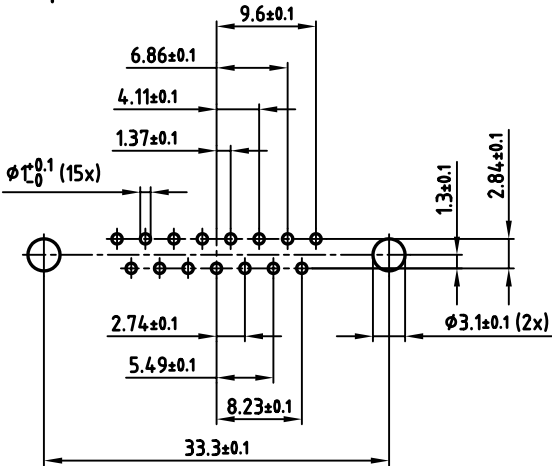
9 pos.



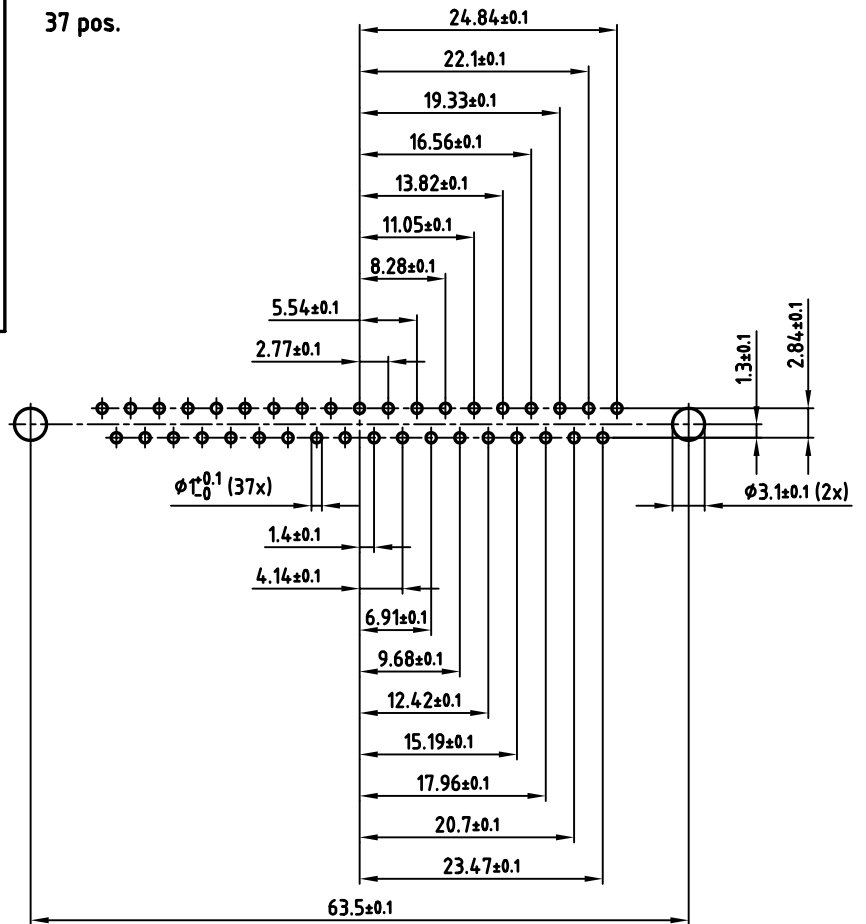
25 pos.



15 pos.



37 pos.



APPROVAL # FREIGABE # DEBLOCAGE # AUTORIZACION # APPROVAL

CUSTOMER APPROVAL DATE:

NAME: TITLE:

COMPANY NAME:

APPROVAL # FREIGABE # DEBLOCAGE # AUTORIZACION # APPROVAL

THIS DRAWING MAY NOT BE COPIED OR REPRODUCED IN ANY WAY, AND MAY NOT BE PASSED ON TO A THIRD PARTY, WITHOUT WRITTEN PERMISSION. OWNERSHIP AND COPYRIGHT OF CONEC GmbH. DO NOT ALTER CAD DRAWING BY HAND

rev.	description	date	name

tolerance	ϕ dim. in mm
2004	date
drawn	04.05.
name	Schmidt
appd.	04.05.
name	Mickenbecker
norm	DIN 41652
d-old	

scale: 2:1

material: SEE SHEET 1

title: P.C.B. HOLE DRILLINGS
D-SUB FEMALE 90° 9-37pos. 0.370inch
thread, insert, mounting bracket, grounding clip

dwg no: AutoCAD 2004 DIN-A

16K1A1147 3 sh:2/2

part no: SEE SHEET 1