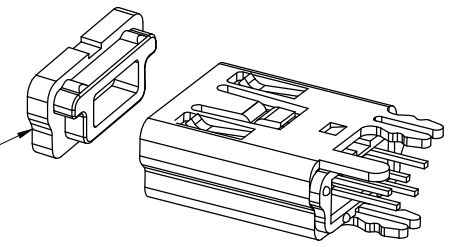
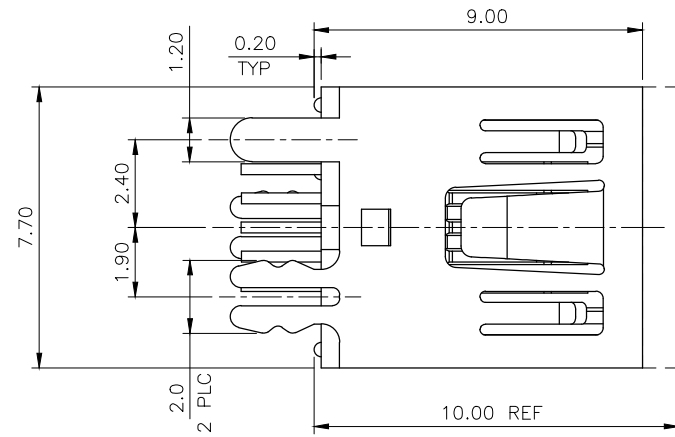
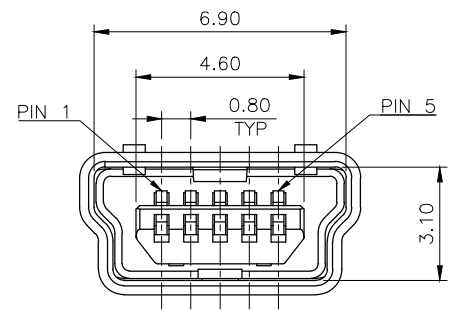
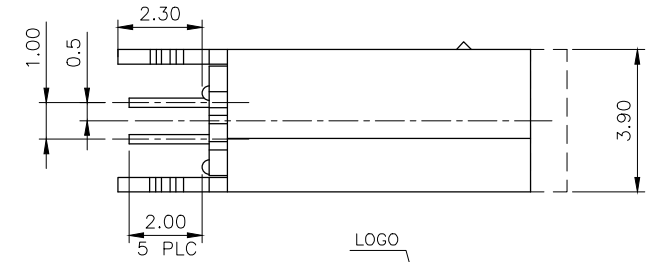
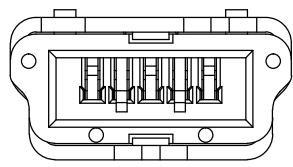


THIS DRAWING IS UNPUBLISHED. RELEASED FOR PUBLICATION
 © COPYRIGHT 2010 BY TYCO ELECTRONICS CORPORATION. ALL RIGHTS RESERVED.

LOC	DIST	REVISIONS			
P	LTR	DESCRIPTION	DATE	DWN	APVD
DW		A1	REVISED (ECR-14-008082), ADD NEW PN	29MAY'14	S.C. H.L.



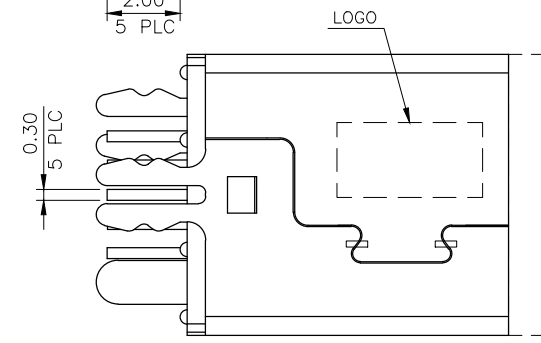
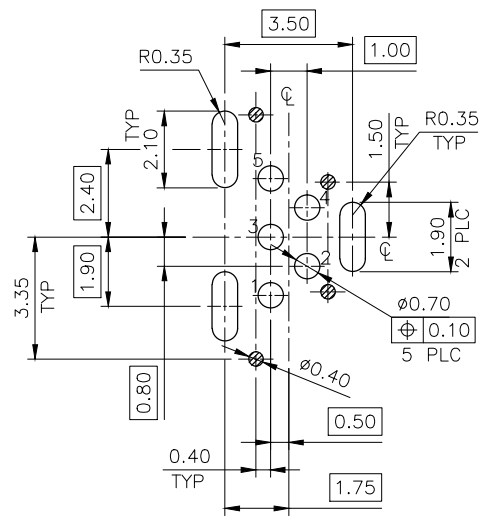
△ CAP



NOTE:

- MATERIAL:
 HOUSING: PA9T, UL 94V-0, BLACK COLOR.
 CAP: LCP, UL 94V-0, BLACK COLOR.
 CONTACTS: PHOSPHOR BRONZE.
 SHELL: PHOSPHOR BRONZE.
- FINISH:
 CONTACTS: 0.762µm [30µ"] MIN. GOLD PLATED ON CONTACT AREA,
 2.54µm [100µ"] MIN. MATTE TIN PLATED ON SOLDER TAIL,
 1.27µm [50µ"] MIN. NICKEL UNDERPLATED ALL OVER.
 SHELL: 2.54µm [100µ"] MIN. BRIGHT TIN PLATED OVER
 1.27µm [50µ"] MIN. NICKEL UNDERPLATED ALL OVER.
- OPTION PART : CAP
- REFLOW SOLDER CAPABLE TO 260°C PER TE SPEC.
 109-201, CONDITION B.
- CAP WEIGHT : 0.789 gram

WITH	2041517-2
W/O	2041517-1
CAP △	PART NUMBER



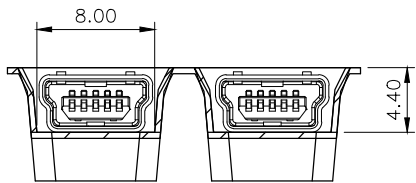
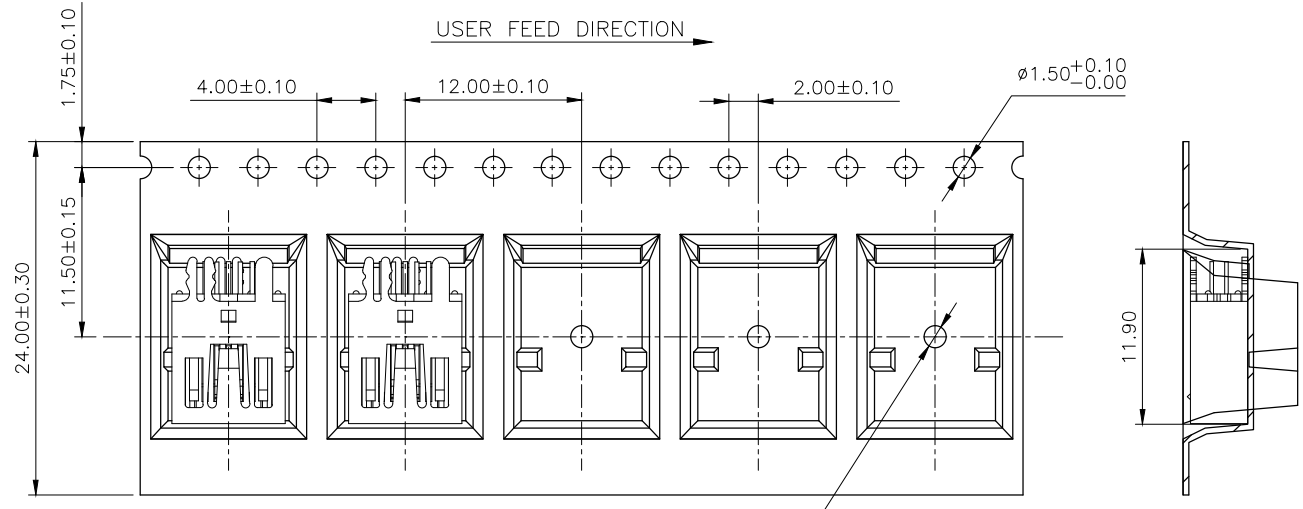
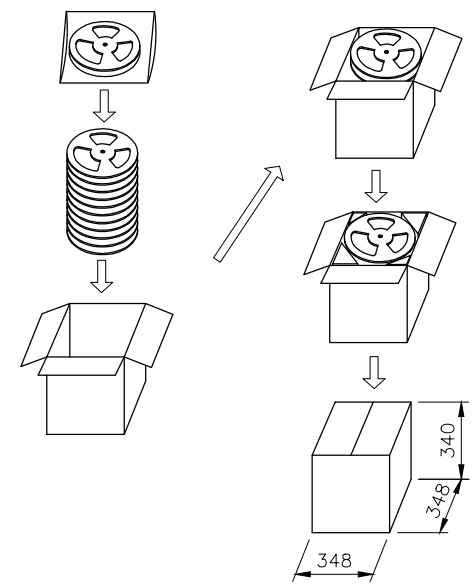
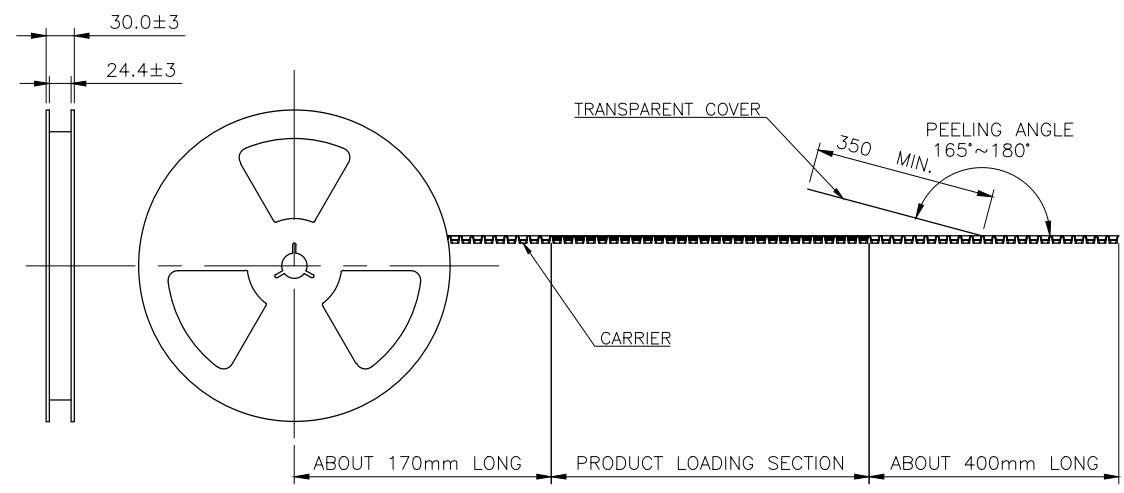
RECOMMENDED PCB LAYOUT (THICKNESS:1.6mm)
 (DIMENSION TOLERANCE: 1PLC:±0.1 2PLC:±0.05)
 ● KEEP OUT AREA FOR HOUSING STAND OFF

THIS DRAWING IS A CONTROLLED DOCUMENT.		DWN J. CHEN 01JUN2012	TE Connectivity	
DIMENSIONS: mm		CHK S. CHIEN 01JUN2012		
TOLERANCES UNLESS OTHERWISE SPECIFIED:		APVD W. KODAMA 01JUN2012	NAME	
0 PLC ± - 1 PLC ± 0.30 2 PLC ± 0.20 3 PLC ± 0.15 4 PLC ± - ANGLES ± 3°		PRODUCT SPEC 108-57912	MINI USB CONNECTOR, RECEPTACLE VERTICAL, DIP, B TYPE	
MATERIAL SEE NOTE		APPLICATION SPEC	SIZE A3	CAGE CODE 00779
FINISH SEE NOTE		WEIGHT 0.725 g	DRAWING NO C=2041517	RESTRICTED TO
		CUSTOMER DRAWING	SCALE	SHEET 1 of 3
				REV A1

THIS DRAWING IS UNPUBLISHED. RELEASED FOR PUBLICATION
 © COPYRIGHT 2010 BY TYCO ELECTRONICS CORPORATION. ALL RIGHTS RESERVED.

LOC	DIST	REVISIONS					
DW		P	LTR	DESCRIPTION	DATE	DWN	APVD
		SEE SHEET 1.					

- NOTE:
- MATERIAL:
 COVER TAPE: PET, WHITE COLOR.
 CARRIER: PS.
 REEL: PS.
 SHIPPING BOX: CORRUGATED FIBER.
 - DIMENSION:
 REEL: SEE DRAWING.
 SHIPPING BOX: SEE DRAWING.
 - QUANTITY: SEE TABLE.
 - WEIGHT: SEE TABLE.
 - PEELING RESISTANCE: 10gf ~ 130gf
 - PEELING SPEED: 300mm/MINUTE.

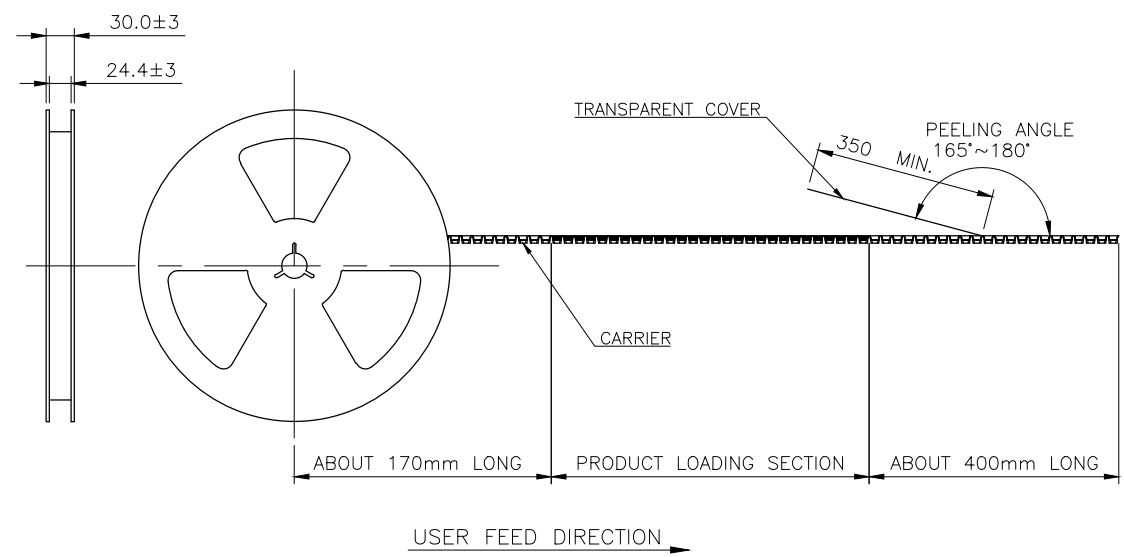


12.5 KG	9.13 KG	1200	10	12000	2041517-1
GROSS WEIGHT	NET WEIGHT	PCS /REEL	REELS /BOX	QUANTITY	PART NUMBER

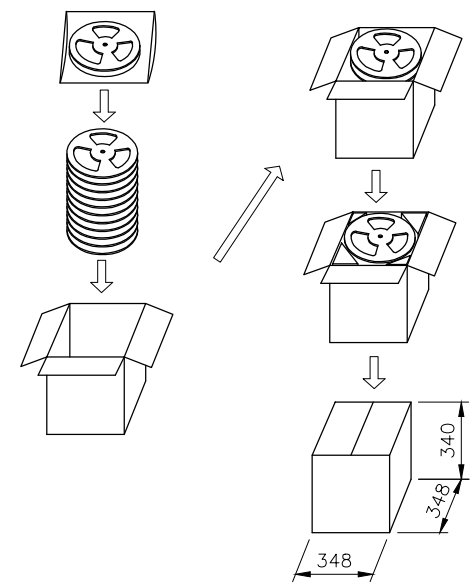
THIS DRAWING IS A CONTROLLED DOCUMENT.		DWN	TE Connectivity			
DIMENSIONS: mm		CHK				
TOLERANCES UNLESS OTHERWISE SPECIFIED:		APVD	NAME			
0 PLC ± - 1 PLC ± 0.30 2 PLC ± 0.30 3 PLC ± 0.30 4 PLC ± - ANGLES ± -		PRODUCT SPEC	MINI USB CONNECTOR, RECEPTACLE VERTICAL, DIP, B TYPE			
MATERIAL		APPLICATION SPEC	SIZE	CAGE CODE	DRAWING NO	RESTRICTED TO
FINISH		WEIGHT	A3	00779	C=2041517	-
		CUSTOMER DRAWING	SCALE	SHEET	2 of 3	REV A1

THIS DRAWING IS UNPUBLISHED. RELEASED FOR PUBLICATION
 © COPYRIGHT 2010 BY TYCO ELECTRONICS CORPORATION. ALL RIGHTS RESERVED.

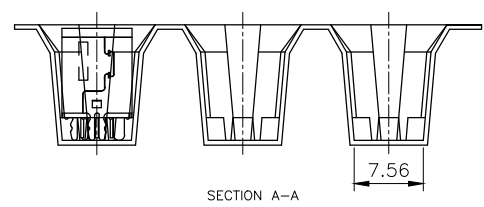
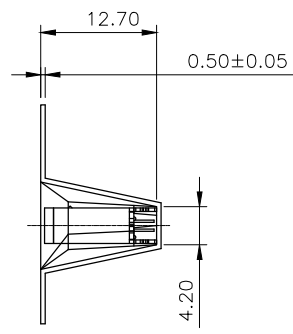
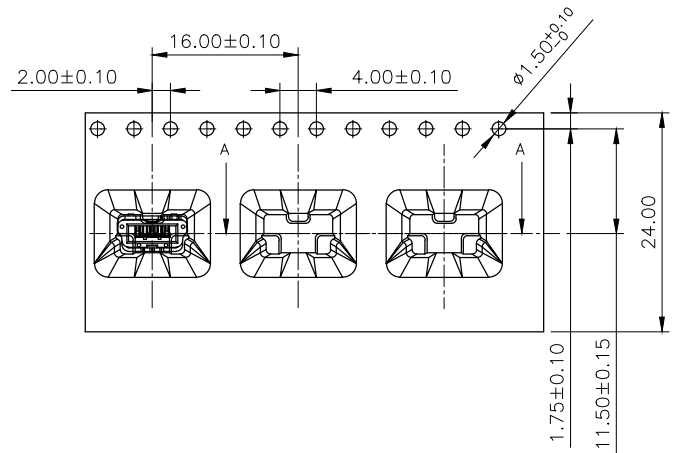
LOC	DIST	REVISIONS					
DW		P	LTR	DESCRIPTION	DATE	DWN	APVD
				SEE SHEET 1.			



- NOTE:
- MATERIAL:
 COVER TAPE: PET, WHITE COLOR.
 CARRIER TAPE: PS.
 REEL: PS.
 SHIPPING BOX: CORRUGATED FIBER.
 - DIMENSION:
 REEL: SEE DRAWING.
 SHIPPING BOX: SEE DRAWING.
 - QUANTITY: SEE TABLE.
 - WEIGHT: SEE TABLE.
 - PEELING RESISTANCE: 10gf ~ 130gf
 - PEELING SPEED: 300mm/MINUTE.



PACKAGING PROCESS



6.70KG	2.60 KG	300	10	3000	2041517-2
GROSS WEIGHT	NET WEIGHT	PCS /REEL	REELS /BOX	QUANTITY	PART NUMBER

THIS DRAWING IS A CONTROLLED DOCUMENT.		DWN	-					
DIMENSIONS: mm		CHK	-					
TOLERANCES UNLESS OTHERWISE SPECIFIED:		APVD	-					
0 PLC ± -		PRODUCT SPEC	-					
1 PLC ± 0.30		APPLICATION SPEC	-					
2 PLC ± 0.30		WEIGHT	-					
3 PLC ± 0.30		CUSTOMER DRAWING	-					
4 PLC ± -		SIZE	A3	CAGE CODE	00779	DRAWING NO	C=2041517	
FINISH		RESTRICTED TO	-					
		SCALE	-		SHEET	3 of 3	REV	A1



MINI USB CONNECTOR, RECEPTACLE VERTICAL, DIP, B TYPE