

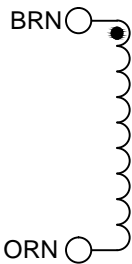
PRIMARY

SECONDARY

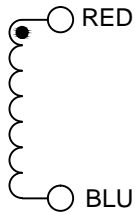
PRIMARY #1
117V 50/60Hz



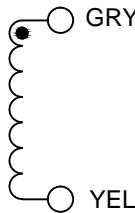
PRIMARY #2
117V 50/60Hz



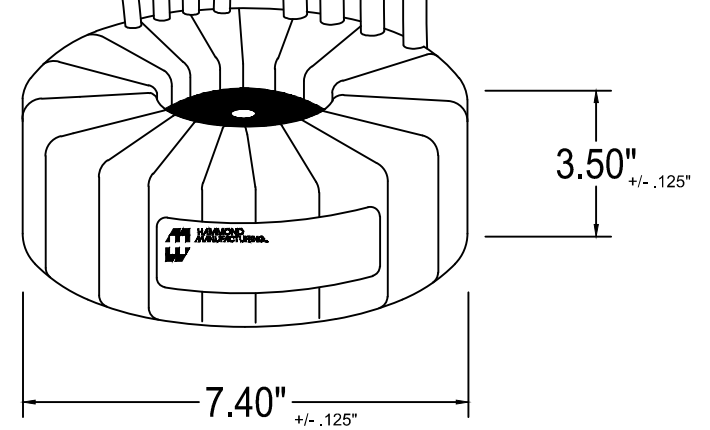
SECONDARY #1
40V @ 18.80Amps



SECONDARY #2
40V @ 18.80Amps



PRIMARY LEADS ARE #12 TEW
SECONDARY LEADS ARE #10 TEW
ALL LEADS OUT 8"-9" AND STRIPPED 0.5" MIN.
WEIGHT: 24.75Lbs +/- 4%



HAMMOND MANUFACTURING
1182V40P
 50/60Hz VA:1500
 PRI: 2x 117V BLK-WHT, BRN-ORN
 SEC: 2x 40V @ 18.80A RED-BLU, GRY-YEL
 1A1500A010C040040
 MADE IN CANADA DATE PB
 RoHS Compliant
 CE, UL, and other certification logos.

SUPPLIED WITH: ONE 0.125" T X 6.00" OD RUBBER WASHER.
 EPOXY CENTER FILLED 0.50" FROM THE TOP AND DRILLED 13/32" FOR A 3/8 BOLT.
 ONE 3/8-16 BOLT 4.00" LONG WITH A LOCK WASHER AND 3/8-16 HEX NUT.

ELECTRICAL DATA:		
TESTS	CONDITIONS	ACCEPTANCE CRITERIA
Sec. N.L.V	@ 117V, 60Hz BLK & BRN to WHT & ORN	
OR	@ 234V, 50Hz BLK to ORN (Connect BRN & WHT)	
	RED - BLU	41.20 V ±2%
	GRY - YEL	41.20 V ±2%
POLARITY	BLK, BRN, RED and GRY.	ADDITIVE
DCR	BLK - WHT	0.160 Ohms ±20%
IN OHMS	BRN - ORN	0.160 Ohms ±20%
	RED - BLU	0.020 Ohms ±20%
	GRY - YEL	0.030 Ohms ±20%
HI POT	PRIMARY - SECONDARY	4000V, 60Hz, 1 SEC
	PRIMARY - PRIMARY	600V, 60Hz, 1 SEC
	SECONDARY - SECONDARY	600V, 60Hz, 1 SEC

PROPERTY AND COPYRIGHT NOTICE			
THIS DRAWING AND THE INFORMATION IT CONVEYS ARE THE PROPERTY OF HAMMOND MANUFACTURING. IT MAY NOT BE REPRODUCED, TRANSMITTED OR USED IN ANY MANNER WHATSOEVER WITHOUT THE WRITTEN PERMISSION OF HAMMOND MANUFACTURING.			
REV	NOTES	BY	DATE
1	UPDATED THE HARDWARE, WAS 3/8-16 X 3.5" LONG.	GG	16/04/14
		ELECTRONIC DIVISION 52 RANKIN PLACE, WATERLOO, ONTARIO, N2J 3Z5 PHONE: 519.886.6181 FAX: 519.886.9540	
TOROID POWER TRANSFORMER			
DRAWN G. GRAY		DATE 21/03/2014	NUMBER 1182V40P
APPROVED		DATE	