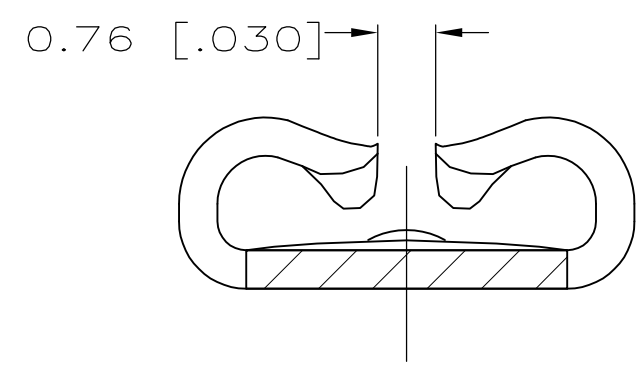
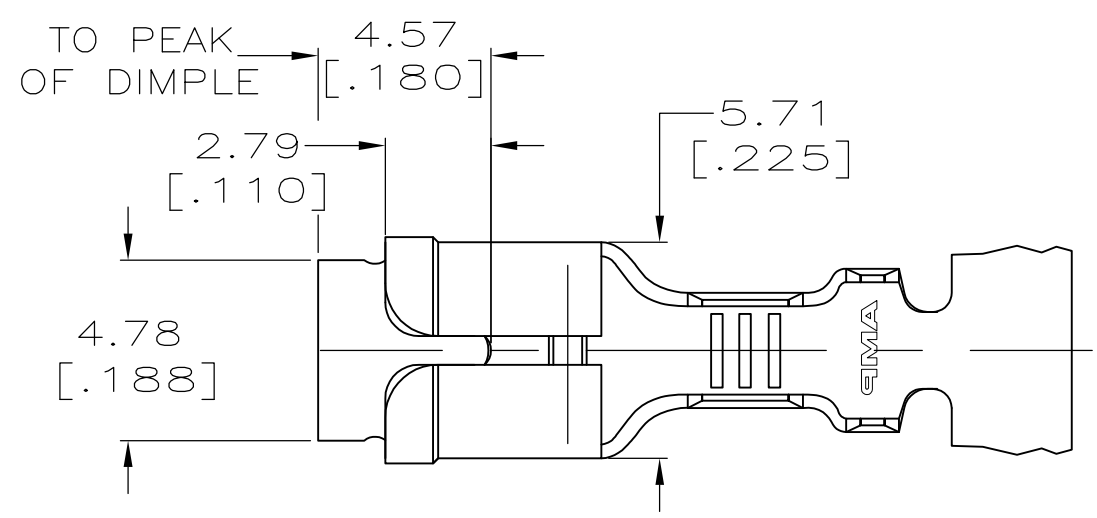


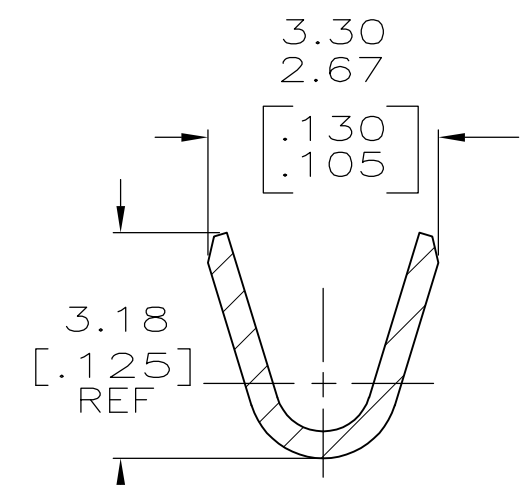
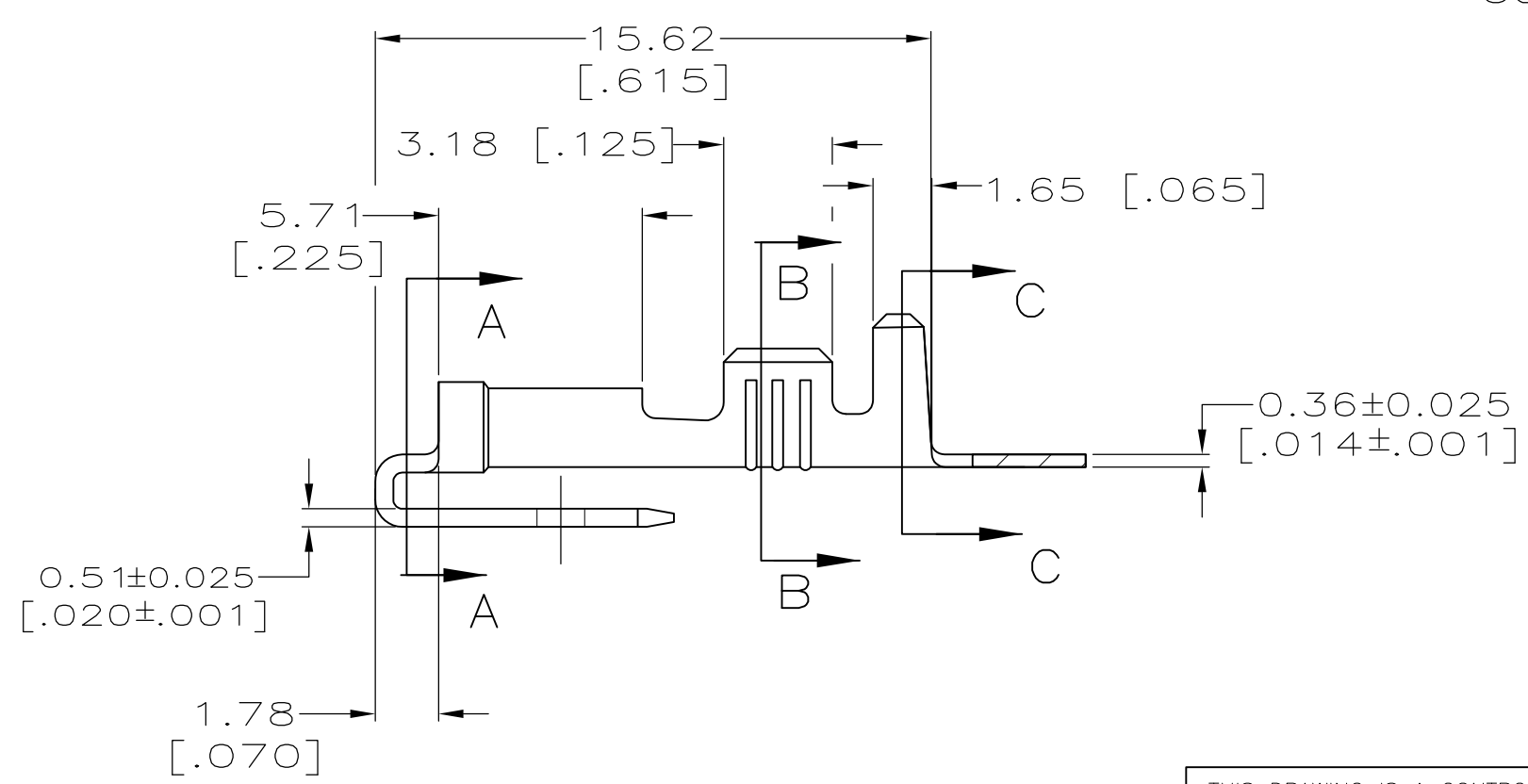
THIS DRAWING IS UNPUBLISHED. RELEASED FOR PUBLICATION  
 © COPYRIGHT - By - ALL RIGHTS RESERVED.

LOC	DIST	REVISIONS			
P	LTR	DESCRIPTION	DATE	DWN	APVD
AF	50	B	REVISED PER ECR-12-013518	26NOV2012	KH PD

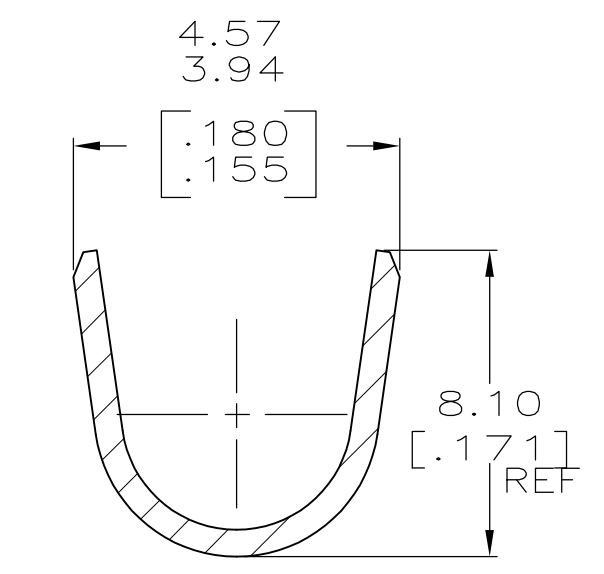
- 1 CONTINUOUS STRIP ON REELS.
- 2 WIRE SIZE IS [#20-#16] AWG.
- 3 MATING TAB THK TO BE  $0.81 \pm 0.025$  [.032±.001].
- 4 INSULATION RANGE IS 2.10-3.30 [.083-.130] DIA.



SECTION A-A  
SCALE 10:1



SECTION B-B  
SCALE 10:1



SECTION C-C  
SCALE 10:1

1217001-1  
PART NO.

THIS DRAWING IS A CONTROLLED DOCUMENT.		DWN	JR RUTH	6/20/97	TE Connectivity RECEPTACLE & TAB, FASTON, PIGGYBACK, 4.75 [.187] SERIES					
DIMENSIONS: mm [INCHES]		CHK	MS FEHER	6/20/97				NAME		
TOLERANCES UNLESS OTHERWISE SPECIFIED:		APVD	P DESANTIS	6/20/97				PRODUCT SPEC		
0 PLC ± - 1 PLC ± - 2 PLC ± 0.25 [.010] 3 PLC ± - 4 PLC ± - ANGLES ± -		APPLICATION SPEC		114-2082						
MATERIAL		BRASS		FINISH	-		RESTRICTED TO			
		CUSTOMER DRAWING		WEIGHT	-		SCALE 5:1			
		SIZE		A3	CAGE CODE	00779	DRAWING NO			
		DRAWING NO		C=1217001		SHEET 1 OF 1				
		REV		B		REV B				