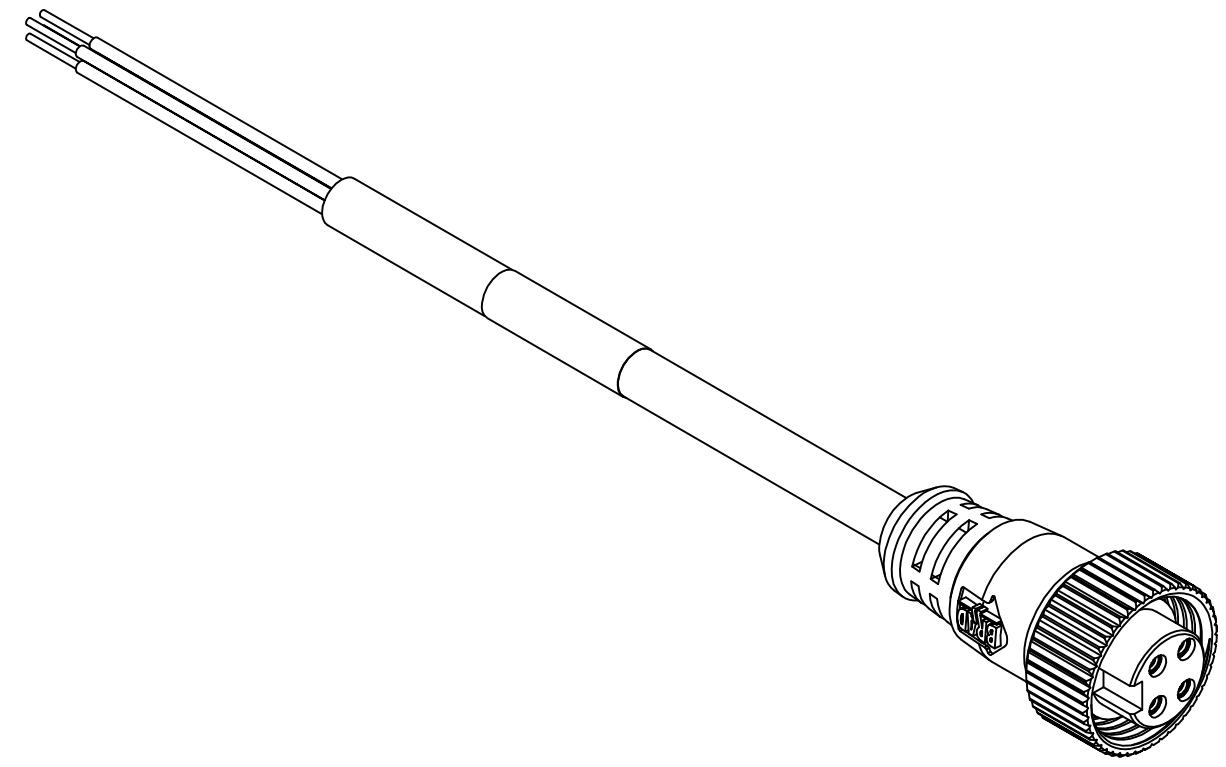
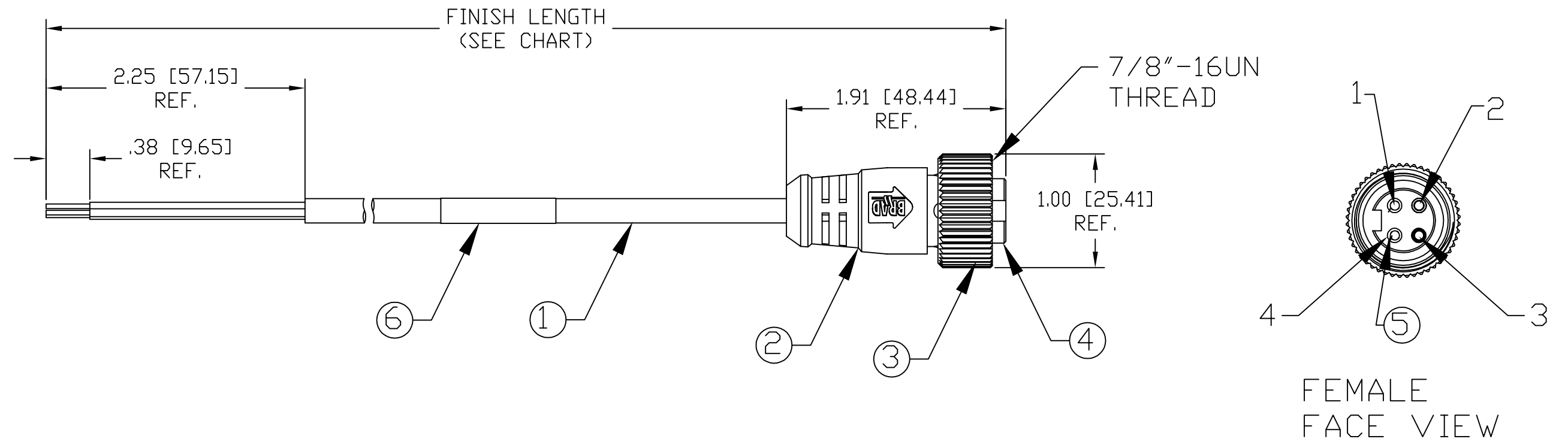


13	12	11	10	9	8	7	6	5	4	3	2	1
PART NUMBER	ENGINEERING NUMBER	FINISH LENGTH										
1300060833	104000A05M020	6' 6" +3.50" -0 [2M +88.9 -0]										
1300060839	104000A05M050	16' 4" +6.50" -0 [5M +165.1 -0]										
1300060847	104000A05M100	32' 4" +12.50" -0 [10M +317.5 -0]										
1300060850	104000A05M150	49' 2" +24.50" -0 [15M +622.3 -0]										
1300060851	104000A05M250	82' 0" +24.50" -0 [30M +622.3 -0]										



NOTE

- 1) MATERIAL: SEE TABLE
- 2) FINISHES: SEE TABLE
- 3) WRAP LABEL IS MARKED WITH P/N, DATE CODE, VOLTAGE & AMPERAGE
- 4) MATES WITH: MINI CHANGE, 4 POLE RECEPTACLE
- 5) ELECTRICAL DATA:
 INLINE CORDSET
 FEMALE A-SIZE WITH FLYING LEADS
 18AWG UNSHIELDED
 POLES: 4
 MAX. VOLTAGE: 300V
 MAX. CURRENT 5.6A
 PROTECTION IP67
 TEMPERATURE RANGE: -20°C TO 105°C
- 6) PACKAGING:
 CABLE ASSEMBLIES ARE BAGGED SEPERATELY
 IN POLY BAGS WITH BAR CODE LABEL ATTACHED
 TO OUTSIDE OF BAG.
- 7) ASSEMBLY IS RoHS COMPLIANT.
- 8) CERTIFICATION
 CSA CERTIFIED, FILE NO. LR6837



P1

1	BLACK
2	BLUE
3	BROWN
4	WHITE

WIRING DIAGRAM

ITEM	QTY.	DESCRIPTION	MATERIAL	FINISH
6	1	LABEL	PLASTIC FILM	BLACK/YELLOW
5	4	CONTACT SOCKET	COPPER ALLOY	GOLD PLATED
4	1	INSERT	PVC	YELLOW
3	1	COUPLING NUT	ZINC DIE CAST	BLACKE-COATED
2	1	OVERMOLD	PVC	YELLOW
1	1	CABLE, 18AWG-4	PVC	YELLOW

RELEASE EC NO: WNA2010-0025 DRWN: TWOLDEGE 7/22/09 CH'KD: BWOODMAN APPR: JFMURPHY 2009/08/10	DESCRIPTION REV	QUALITY SYMBOL	GENERAL TOLERANCES (UNLESS SPECIFIED)	DIMENSION STYLE	SCALE	DESIGN UNITS	THIRD ANGLE PROJECTION
		$\nabla=0$ $\sphericalangle=0$	4 PLACES ±--- ±--- 3 PLACES ±.005 ±.005 2 PLACES ±.013 ±.010 1 PLACE ±.025 ±.020	IN/MM	1:1	INCH	
			ANGULAR ±1/2°	DRAWN BY DATE	TITLE		
			DRAFT WHERE APPLICABLE MUST REMAIN WITHIN DIMENSIONS	TWOLDEGE 2009/07/21	MINI CHANGE ASSEMBLY 4-POLE FEMALE ST 18/4AWG PVC		
				CHECKED BY DATE	MOLEX INCORPORATED		
				BWOODMAN 2009/07/21	SD-130006-012		
				APPROVED BY DATE	SHEET NO. 1 OF 1		
				SEE CHART	THIS DRAWING CONTAINS INFORMATION THAT IS PROPRIETARY TO MOLEX INCORPORATED AND SHOULD NOT BE USED WITHOUT WRITTEN PERMISSION		