



LAYOUT SHOWN AS EXAMPLE

Keying Shown as example

CHARACTERISTICS

- Standard : Based on MIL-DTL-38999 Series III
- Shell Material : Aluminium
- Shell Plating : Olive drab Cadmium
- Insulator : Thermoplastic
- Contacts : Copper Alloy
- Seals & Grommet : Silicon Elastomer
- Contact Plating : Gold over copper Alloy 0.8µm minimum
- Durability : 500 Mating cycles
- Delivered with Souriau contacts and Accessories
- Temperature Range : -65°C to +175°C
- Salt Spray : 500 hours
- Mass : 82.11 g ± 10%

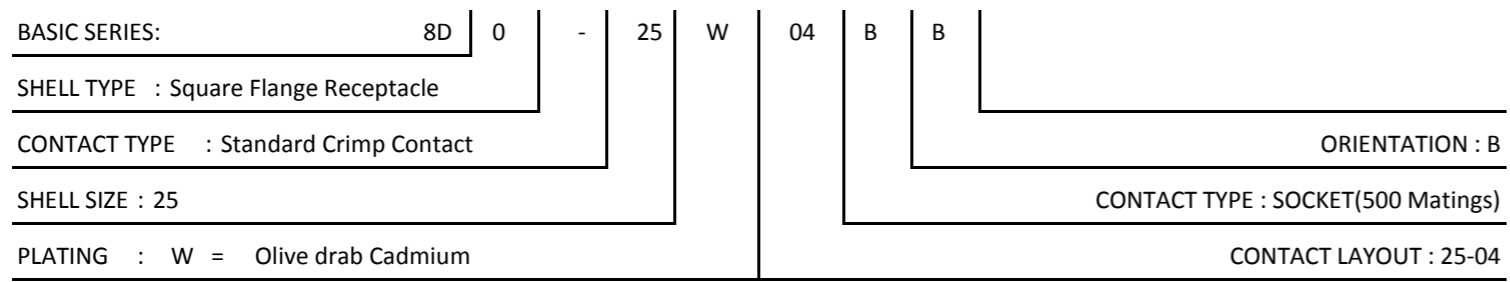
| Connector dimension | |
|---------------------|---------------|
| Dim | Nominal |
| P | 3.91±0.2 |
| PP | 6.15±0.2 |
| R1 | 38.1 |
| R2 | 34.93 |
| S | 46±0.3 |
| V | 20.07+0/-1.25 |
| W | 2.1/3.2 |
| Z | 31.5 Max |
| VV THREAD | M37x1-6g |

SOURIAU shall not be liable for any non-conformity or damage due to a use of the Products which does not comply with the Specifications issued by either of the Parties or by a third party (professional recommendation, technical notice.)

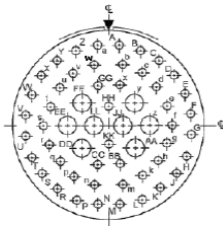
| | |
|---------|-----------------------------|
| Country | Jurisdiction & Control List |
| FR | Not Listed |

PN: 8D025W04BB

| | | | |
|---|------------------------------------|--------------------------------|-------------------------------|
| A | 08-10-2016 | First Release | |
| ISS | DATE | Latest modification - by | MOD N° |
| Designed By: | | Date: | CUSTOMER DRAWING |
| TITLE | | Aluminium Receptacle 8D series | |
| SCALE | NA | General linear Tolerances: ±-- | NPRDS / PROJECT 859 |
| SOURIAU | | WWW.SOURIAU.COM | |
| This document is the property of SOURIAU it must not be reproduced or communicated without permission | | | |
| FORMAT | SOURIAU DRG N° 8D025W04BB-C | | SHEET 1/2 |



Contact Layout

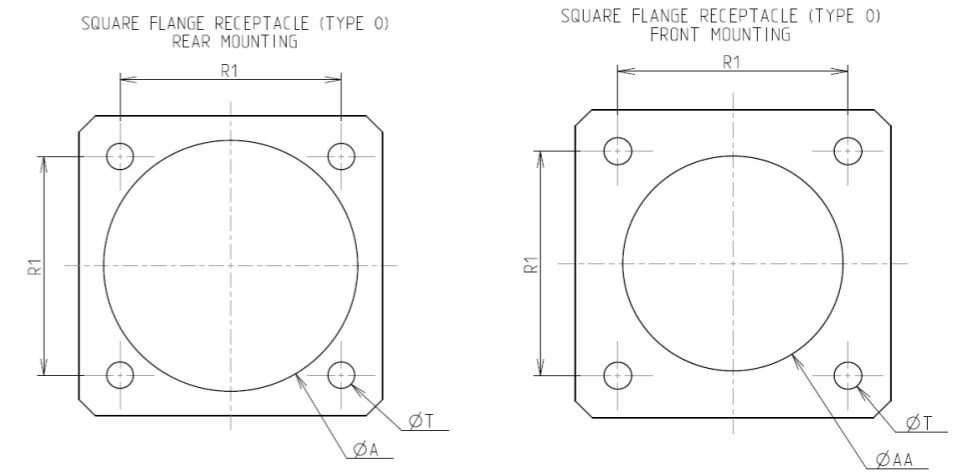


| Contacts (Insert arrangement 25-4) | | | | | |
|---------------------------------------|--------------|--------------|---------------------|--------------|--------------|
| Contact position ID | Location | | Contact position ID | Location | |
| | X-axis (mm) | Y-axis (mm) | | X-axis (mm) | Y-axis (mm) |
| A | +069 (1.75) | +531 (13.49) | f | +412 (10.46) | +000 (0.00) |
| B | +203 (5.16) | +495 (12.57) | g | +377 (9.58) | -132 (3.35) |
| C | +324 (8.23) | +425 (10.80) | h | +311 (7.90) | -251 (6.38) |
| D | +424 (10.77) | +326 (8.28) | k | +212 (5.38) | -344 (8.74) |
| E | +493 (12.52) | +205 (5.21) | m | +086 (2.18) | -397 (10.08) |
| F | +531 (13.49) | +069 (1.75) | n | -086 (2.18) | -397 (10.08) |
| G | +531 (13.49) | -069 (1.75) | p | -212 (5.38) | -344 (8.74) |
| H | +493 (12.52) | -205 (5.21) | q | -311 (7.90) | -251 (6.38) |
| J | +424 (10.77) | -326 (8.28) | r | -377 (9.58) | -132 (3.35) |
| K | +324 (8.23) | -425 (10.80) | s | -412 (10.46) | +000 (0.00) |
| L | +203 (5.16) | -495 (12.57) | t | -377 (9.58) | +132 (3.35) |
| M | +069 (1.75) | -531 (13.49) | u | -311 (7.90) | +251 (6.38) |
| N | -069 (1.75) | -531 (13.49) | v | -212 (5.38) | +344 (8.74) |
| P | -203 (5.16) | -495 (12.57) | w | -086 (2.18) | +397 (10.08) |
| R | -324 (8.23) | -425 (10.80) | x | +069 (1.75) | +263 (6.68) |
| S | -424 (10.77) | -326 (8.28) | y | +172 (4.37) | +149 (3.78) |
| T | -493 (12.52) | -205 (5.21) | z | +258 (6.55) | +000 (0.00) |
| U | -531 (13.49) | -069 (1.75) | AA | +172 (4.37) | -149 (3.78) |
| V | -531 (13.49) | +069 (1.75) | BB | +069 (1.75) | -263 (6.68) |
| W | -493 (12.52) | +205 (5.21) | CC | -069 (1.75) | -263 (6.68) |

| Contacts (Insert arrangement 25-4) | | | | | |
|---------------------------------------|--------------|--------------|---------------------|-------------|-------------|
| Contact position ID | Location | | Contact position ID | Location | |
| | X-axis (mm) | Y-axis (mm) | | X-axis (mm) | Y-axis (mm) |
| X | -424 (10.77) | +326 (8.28) | DD | -172 (4.37) | -149 (3.78) |
| Y | -324 (8.23) | +425 (10.80) | EE | -258 (6.55) | +000 (0.00) |
| Z | -203 (5.16) | +495 (12.57) | FF | -172 (4.37) | +149 (3.78) |
| a | -069 (1.75) | +531 (13.49) | GG | -069 (1.75) | +263 (6.68) |
| b | +086 (2.18) | +397 (10.08) | HH | +000 (0.00) | +132 (3.35) |
| c | +212 (5.38) | +344 (8.74) | JJ | +086 (2.18) | +000 (0.00) |
| d | +311 (7.90) | +251 (6.38) | KK | +000 (0.00) | -132 (3.35) |
| e | +377 (9.58) | +132 (3.35) | LL | -086 (2.18) | +000 (0.00) |

| Shell size | Arrangement no. | Number of contacts | Size contacts | Service rating | Contact location | Supersedes |
|------------|-----------------|--------------------|---------------|----------------|------------------------------|------------|
| 25 | -4 | 8 | 16 | I | y, z, AA, DD, EE, FF, LL, JJ | MS20057-4 |
| | | 48 | 20 | | All others | |

Panel Cutout



| Dim | Nominal |
|-----|------------|
| ØA | 42.47 min |
| ØAA | 37.69 min |
| R1 | 38.1 |
| ØT | 3.81 ±0.13 |

SOURIAU shall not be liable for any non-conformity or damage due to a use of the Products which does not comply with the Specifications issued by either of the Parties or by a third party (professional recommendation, technical notice.)

| Country | Jurisdiction & Control List |
|---------|-----------------------------|
| FR | Not Listed |

PN: 8D025W04BB

| | | | |
|----------------|------------------------------------|----------------------------|---|
| A | 08-10-2016 | First Release | |
| ISS | DATE | Latest modification - by | MOD N° |
| Designed By: | | Date: | CUSTOMER DRAWING |
| TITLE | Aluminium Receptacle 8D series | | |
| SCALE | | General linear Tolerances: | NPRDS / PROJECT |
| NA | | ±-- | 859 |
| SOURIAU | WWW.SOURIAU.COM | | This document is the property of SOURIAU it must not be reproduced or communicated without permission |
| FORMAT | SOURIAU DRG N° 8D025W04BB-C | | SHEET 2/2 |