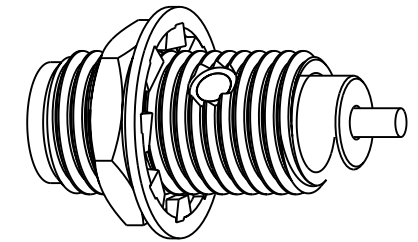


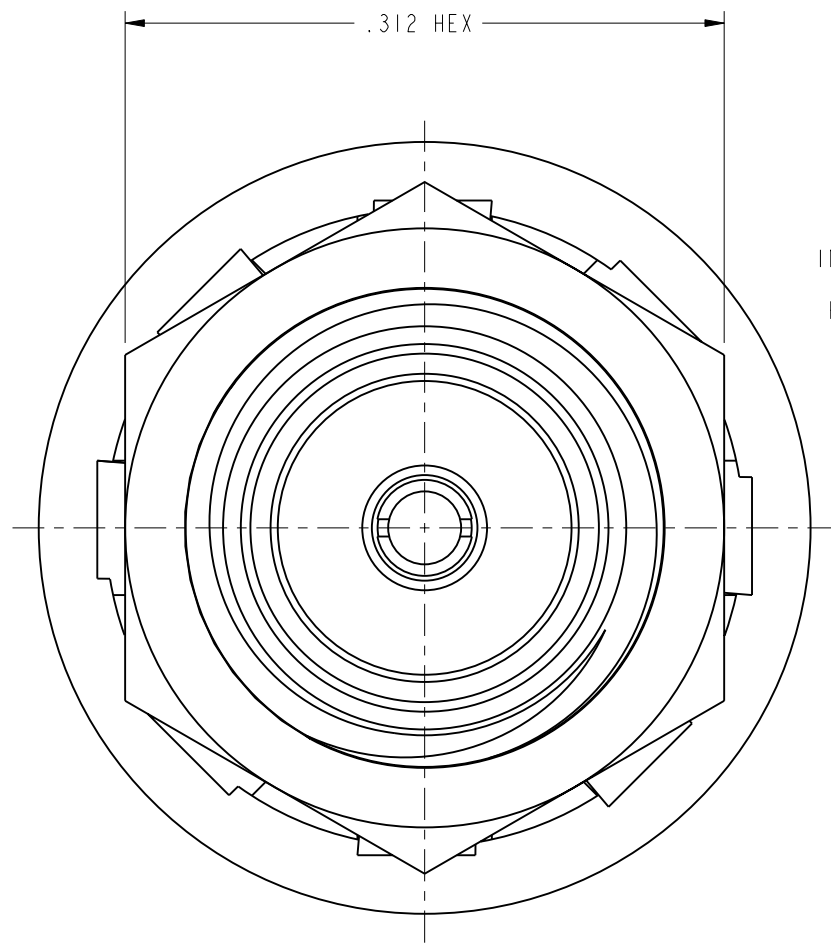
NOTES:

- I. MATERIALS OF CONSTRUCTION:
 BODY, LOCK WASHER & HEX NUT = STAINLESS STEEL (ASTM A 582, TYPE 303 COND A NON MAG)
 GOLD PLATED PER AMPHENOL SPEC. 349-50669
 FEMALE CONTACT = BeCu (QQ-C-530, ALLOY 173 COND H), GOLD PLATED PER AMPHENOL SPEC. 349-50670
 INSULATOR = PTFE PER ASTM D 1710 OR EQUIV

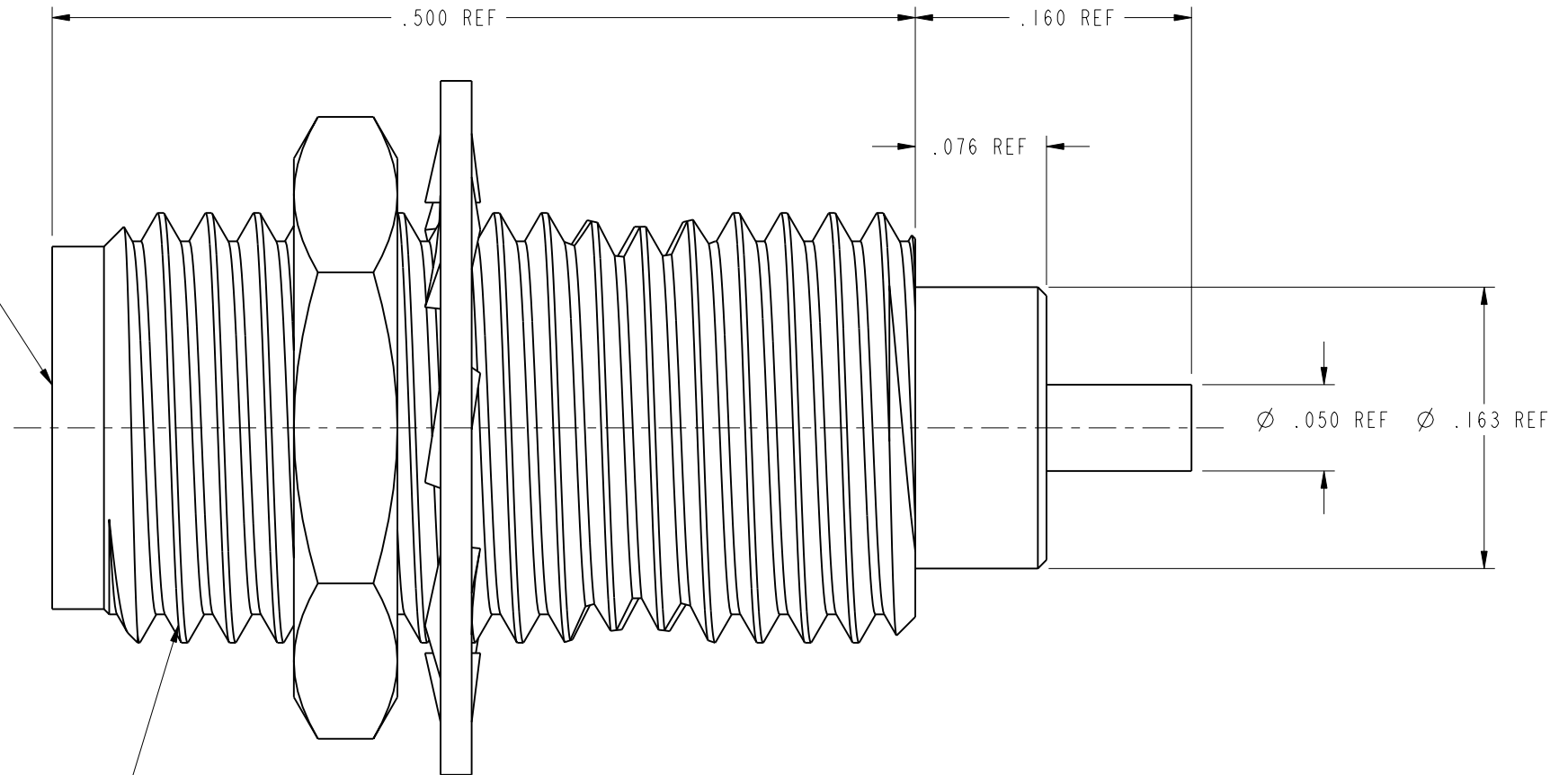
901-9220		REVISIONS			
DRAWING NO.	REV	DESCRIPTION	DATE	ECO	APPR
THIRD ANGLE PROJ.	--	RELEASE TO MFG.			
	M	SEE SHEET 1	7/1/02	44086	CPM



SCALE 3.000



INTERFACE PER
MIL-STD-348
FIGURE 310-2



.250-36UNS-2A THREAD

CUSTOMER OUTLINE DRAWING

ALL OTHER SHEETS ARE FOR INTERNAL USE ONLY

UNLESS OTHERWISE SPECIFIED, DIMENSIONS ARE IN INCHES AND TOLERANCES ARE: 2 PLACE DECIMAL 3 PLACE DECIMAL ANGLES $\pm .015$ (0,381 mm) $\pm .005$ (0,127 mm) $\pm 1^\circ$	MATERIAL	DRAWN C. McGRATH	DATE 19-Jun-02	TITLE SMA JACK RECEPTACLE	Amphenol Amphenol Corporation Communication and Network Products Division Danbury, CT U.S.A. 06810			
	REFERENCE DOR 314454 GEN# ASSYF53_SMA	ENGINEER O. BARTHELMES	DATE 19-Jun-02			APPROVED O. BARTHELMES	DATE 6/26/02	
NOTICE - These drawings, specifications, or other data (1) are, and remain the property of Amphenol Corp. (2) must be returned upon request; and (3) are confidential and not to be disclosed to any person other than those to whom they are given by Amphenol Corp. The furnishing of these drawings, specifications, or other data by Amphenol Corp., or to any other person to anyone for any purpose is not to be regarded by implication or otherwise in any manner licensing, granting rights or permitting such holder or any other person to manufacture, use or sell any product, process or design, patented or otherwise, that may in any way be related to or disclosed by said drawings, specifications, or other data.		CAD FILE I:\SMA901-9220	CODE ID 74868	DWG SIZE B	DRAWING NO. 901-9220	SCALE: 10.0:1	SHEET 2 OF 2	REV M