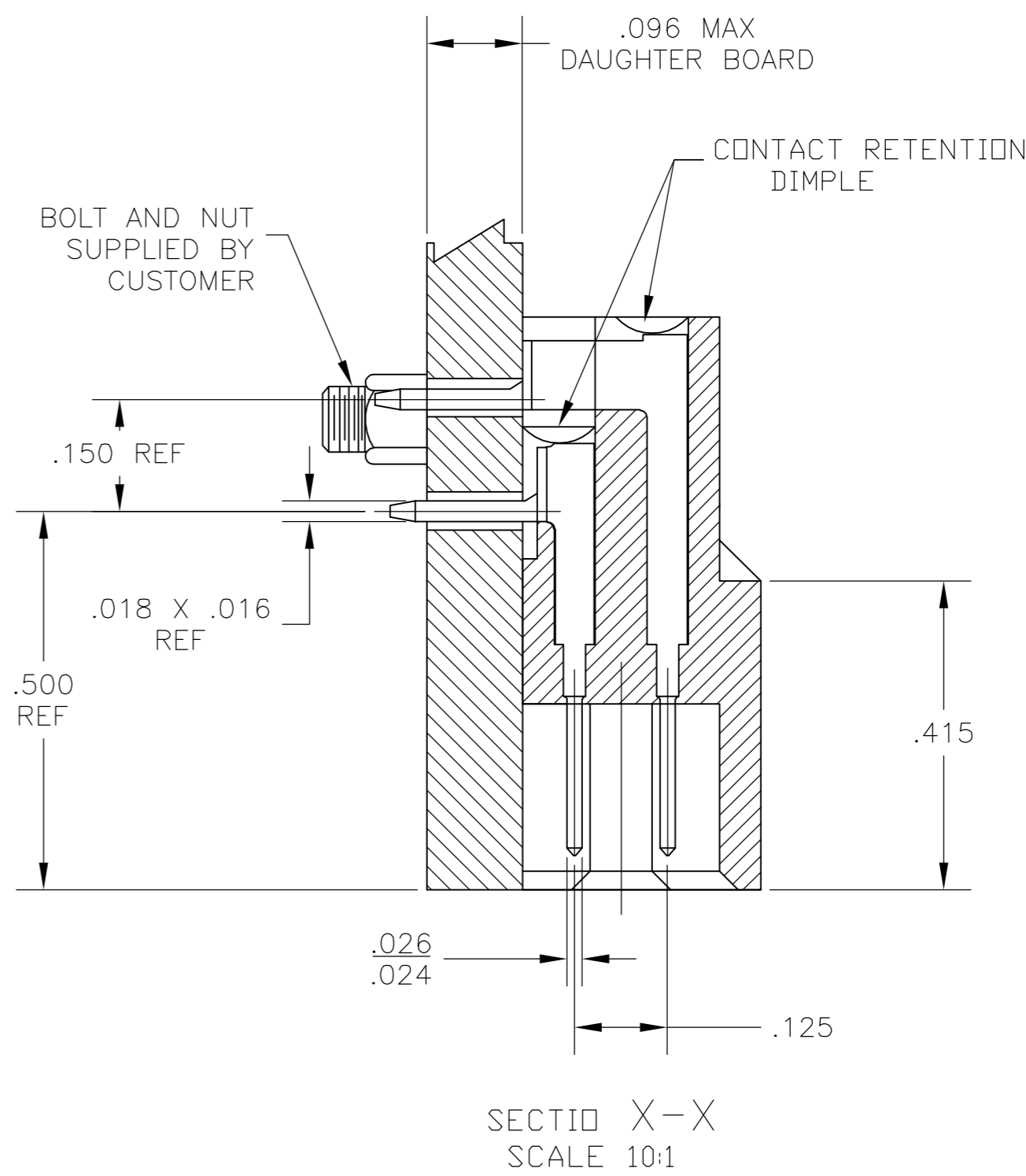
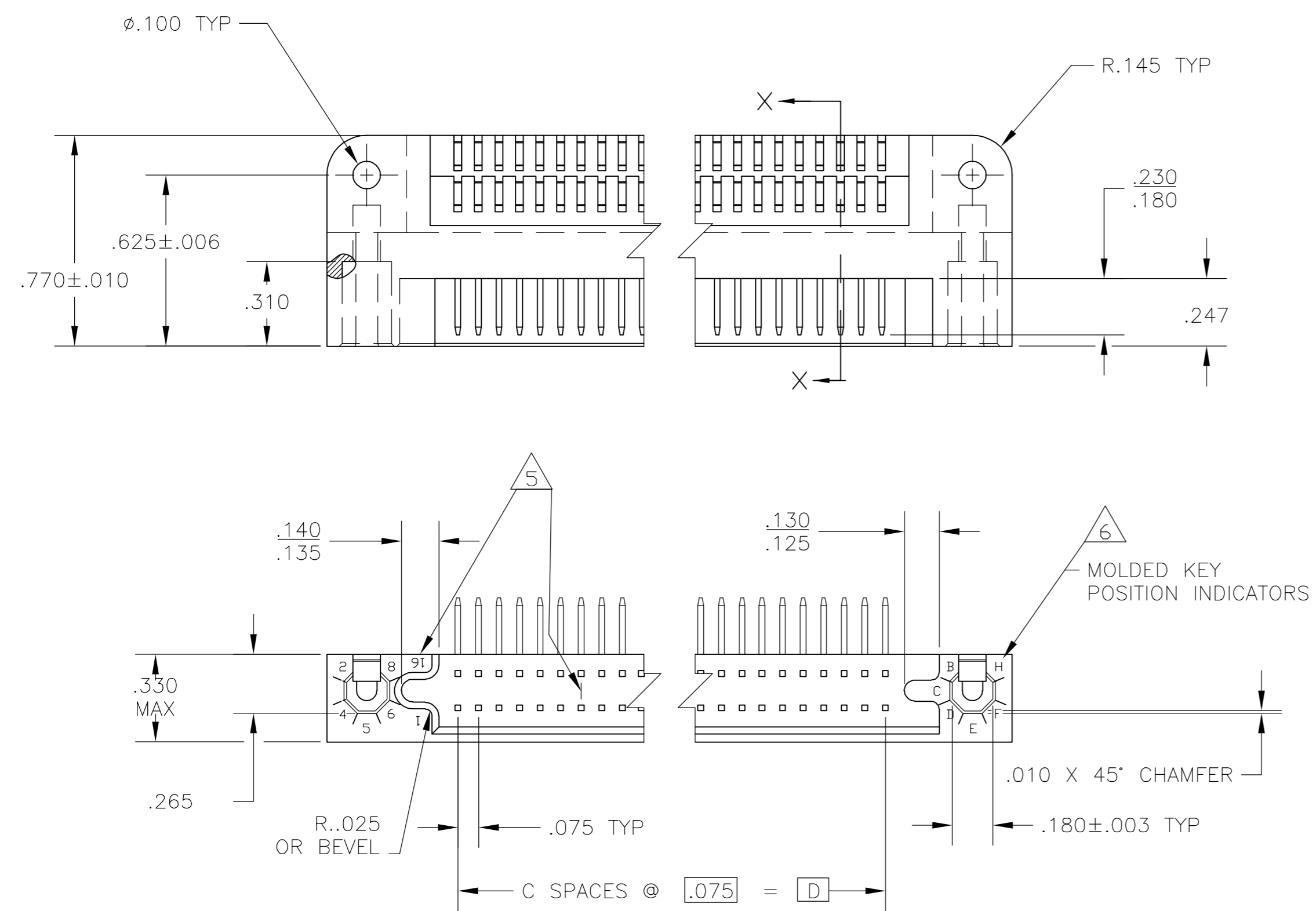
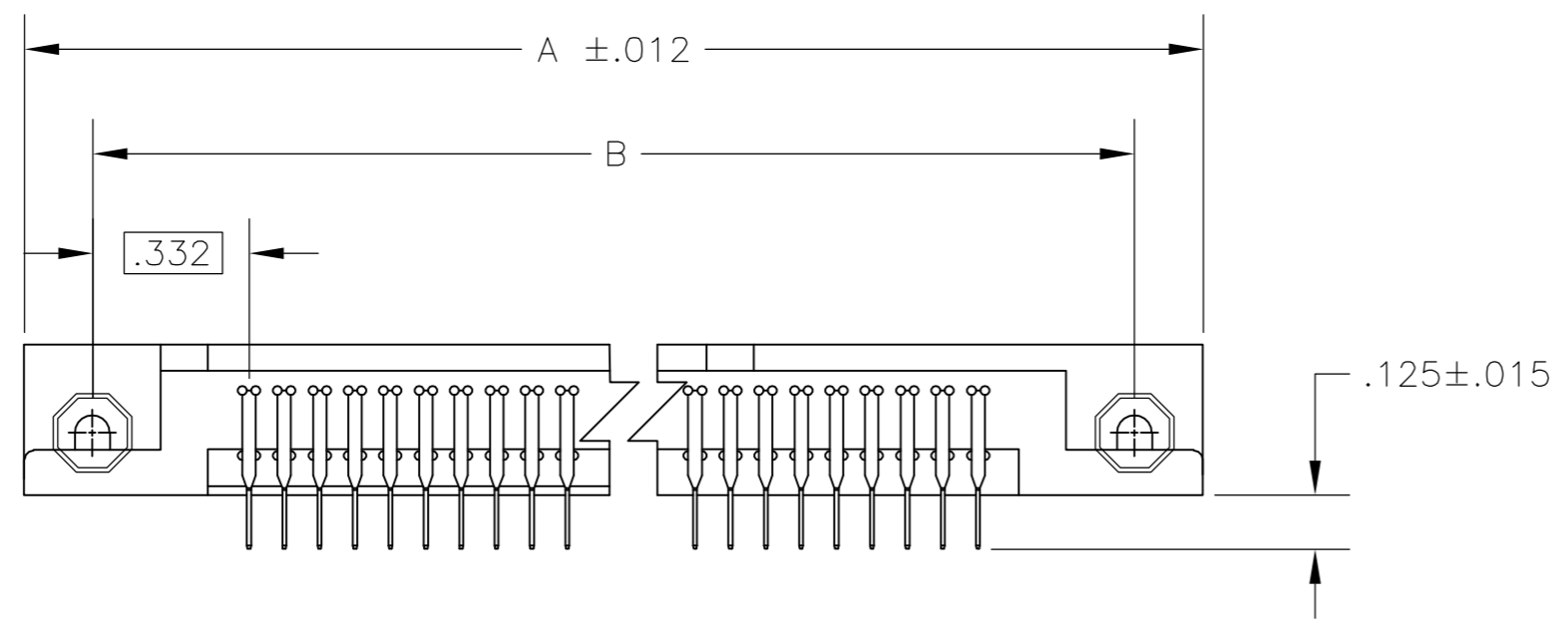


THIS DRAWING IS UNPUBLISHED. RELEASED FOR PUBLICATION  
 © COPYRIGHT BY TYCO ELECTRONICS CORPORATION. ALL RIGHTS RESERVED.

LOC	DIST	REVISIONS			
P	LTR	DESCRIPTION	DATE	DWN	APVD
C		REV PER EC 0H14-0215-05	17JAN06	BL	CCT

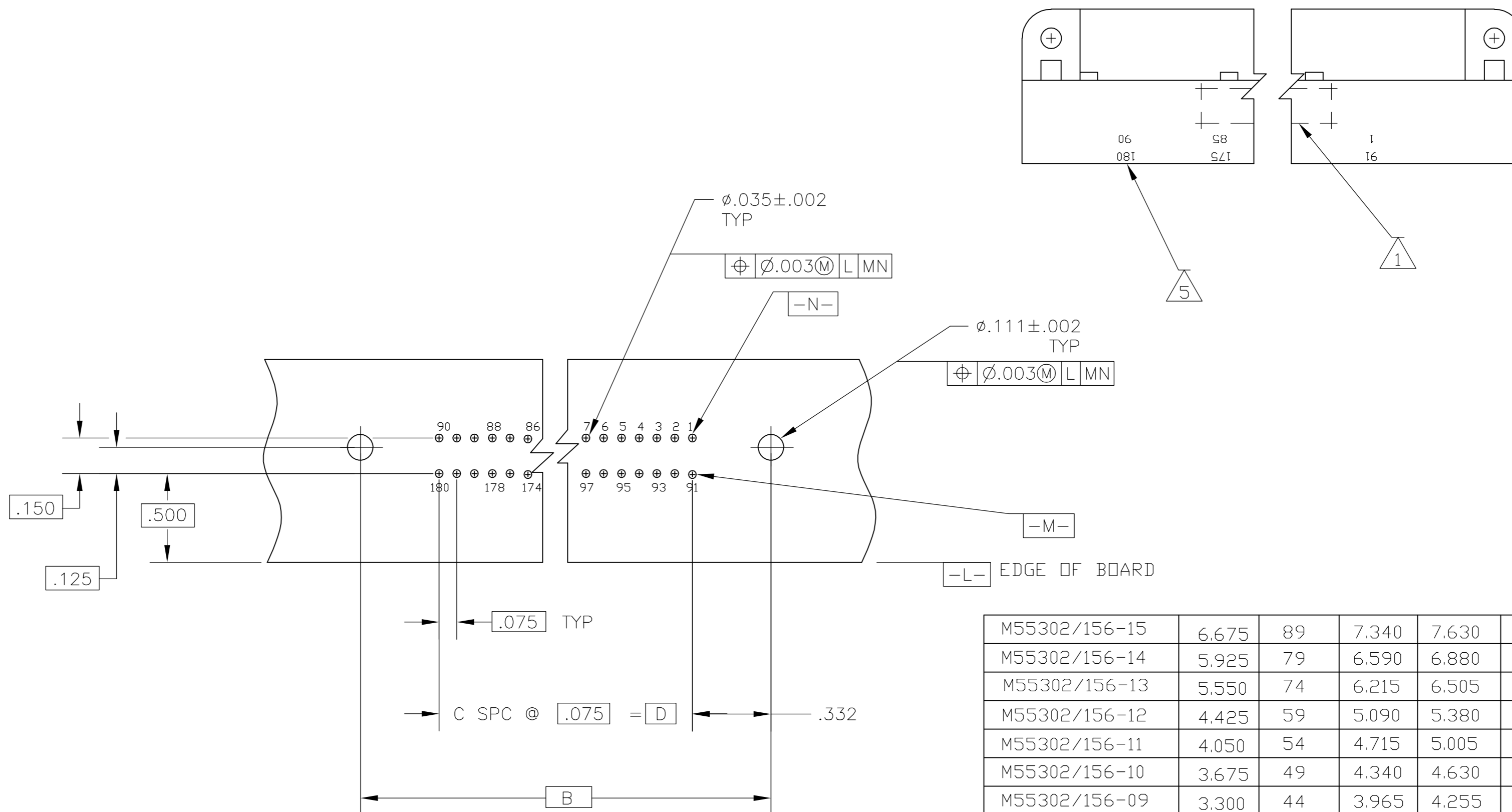


THIS DRAWING IS A CONTROLLED DOCUMENT.		DWN B. LATTUCA 17JAN2006	Tyco Electronics Corporation Harrisburg, PA 17105-3608	
DIMENSIONS: INCHES		CHK C.C. THOMAS 17JAN2006		
TOLERANCES UNLESS OTHERWISE SPECIFIED:		APVD C.C. THOMAS 17JAN2006	NAME PIN ASSEMBLY, RIGHT ANGLE, 751 SERIES, BOX CONNECTOR	
0 PLC ± - 1 PLC ± - 2 PLC ± - 3 PLC ± - 4 PLC ± - ANGLES ± - FINISH		PRODUCT SPEC APPLICATION SPEC	SIZE A2	CAGE CODE 00779
MATERIAL		WEIGHT -	DRAWING NO C=531719	RESTRICTED TO -
		CUSTOMER DRAWING		SCALE 4:1
		SHEET 1 of 2		REV C

531719

THIS DRAWING IS UNPUBLISHED. RELEASED FOR PUBLICATION  
 © COPYRIGHT BY TYCO ELECTRONICS CORPORATION. ALL RIGHTS RESERVED.

LOC	DIST	REVISIONS					
DF	X5	P	LTR	DESCRIPTION	DATE	DWN	APVD
		C		REV PER EC OH14-0215-05	17JAN06	BL	CCT



RECOMMENDED PC BOARD LAYOUT  
(CONNECTOR SIDE)

M55302/156-15	6.675	89	7.340	7.630	180	1-531719-5
M55302/156-14	5.925	79	6.590	6.880	160	1-531719-4
M55302/156-13	5.550	74	6.215	6.505	150	1-531719-3
M55302/156-12	4.425	59	5.090	5.380	120	1-531719-2
M55302/156-11	4.050	54	4.715	5.005	110	1-531719-1
M55302/156-10	3.675	49	4.340	4.630	100	1-531719-0
M55302/156-09	3.300	44	3.965	4.255	90	531719-9
M55302/156-08	2.925	39	3.590	3.880	80	531719-8
M55302/156-07	2.550	34	3.215	3.505	70	531719-7
M55302/156-06	2.175	29	2.840	3.130	60	531719-6
M55302/156-05	1.800	24	2.465	2.755	50	531719-5
M55302/156-04	1.425	19	2.090	2.380	40	531719-4
M55302/156-03	1.050	14	1.715	2.005	30	531719-3
M55302/156-02	.675	9	1.340	1.630	20	531719-2
M55302/156-01	.300	4	.965	1.225	10	531719-1
MILITARY PART NUMBER	D	C	B	A	NO OF POSITIONS	PART NO

- 1 AMP, PART NUMBER, MILITARY P/N, DATE CODE, 00779 MARKED THIS AREA.
- 2 HOUSING MATERIAL: GLASS FILLED POLYESTER, COLOR: BLUE.
- 3 CONTACT MATERIAL- BRASS  
FINISH- .000050 GOLD OVER .000050 NICKEL IN CONTACT AREA, TIN-LEAD PLATE OVER NICKEL ON SOLDER SIDE.
- 4 MIL-C-55302 GROUP INSPECTION REQUIRED.
- 5 NUMBERS AND LINES INDICATING EVERY 5 CAVITIES MARKED ON MATING FACE. NUMBERS INDICATING EVERY 5 CAVITIES MARKED ON SIDE.
- 6 KEY POSITION IDENTIFICATION MOLDED ON SURFACE SHOWN.

THIS DRAWING IS A CONTROLLED DOCUMENT.

DIMENSIONS: INCHES	TOLERANCES UNLESS OTHERWISE SPECIFIED:	DWN B. LATTUCA 17JAN2006	Tyco Electronics Corporation Harrisburg, PA 17105-3608
	0 PLC ± - 1 PLC ± - 2 PLC ± - 3 PLC ± - 4 PLC ± - ANGLES ± - FINISH	CHK C.C. THOMAS 17JAN2006	
		APVD C.C. THOMAS 17JAN2006	
		PRODUCT SPEC	
MATERIAL	FINISH	NAME C.C. THOMAS	PIN ASSEMBLY, RIGHT ANGLE, 751 SERIES, BOX CONNECTOR
		APPLICATION SPEC	
		WEIGHT -	SIZE A2
		CUSTOMER DRAWING	CAGE CODE 00779
		SCALE 4:1	DRAWING NO C=531719
		SHEET 2 of 2	RESTRICTED TO -
		REV C	