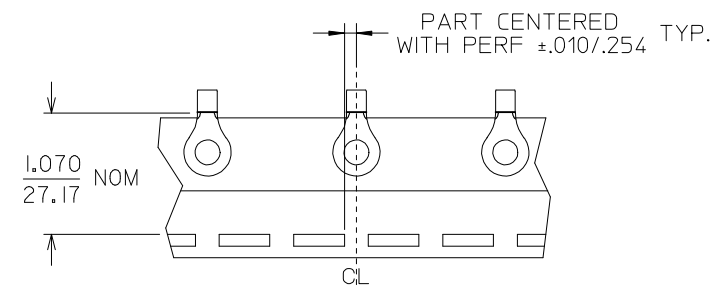
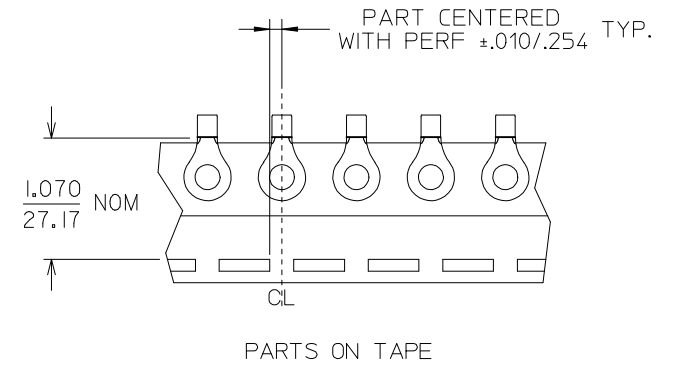
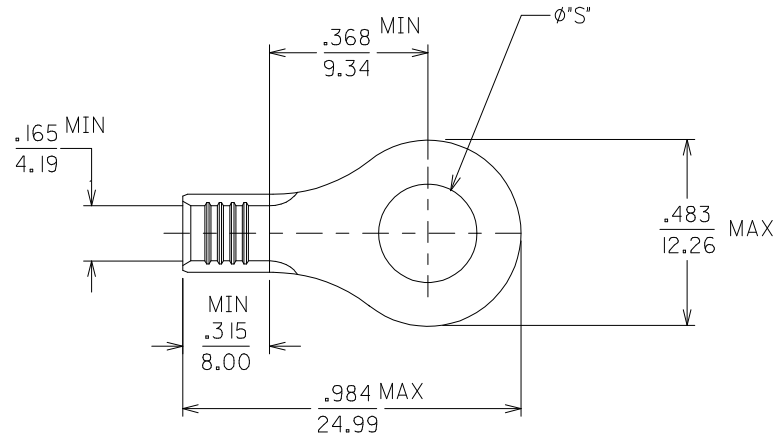


MATERIAL NUMBER	ALTERNATE NUMBER	Ø*S*	PACKAGING
191930143	D-350-06	.146	LOOSE PIECE
191930146	D-350-08	.173	
191930149	D-350-10	.198	
191930152	D-350-14	.265	
191930157	D-350-56	.328	
191930145	D-350-06T	.146	TAPE PARTS
191930148	D-350-08T	.173	
191930151	D-350-10T	.198	
191930155	D-350-14T	.265	
191930158	D-350-56T	.328	
191930156	D-350-14TD	.265	DBL SPCD TAPE PART

(B1)



DOUBLE SPACED PARTS ON TAPE (B1)

- MATERIAL: TERMINAL: COPPER  
.045/1.14 THICK REF.  
PLATING: ELECTRO TIN
- ALL DIMENSIONS = INCHES / MM
- PART IS ROHS COMPLIANT.

<b>ADD PART NUMBER</b> EC NO: IFC2014-1374 DRWNG: GROJAS01 2014/01/31 CHKD: JMANEIL 2014/01/31 APPR: JMACNEIL 2014/02/07 B1	QUALITY SYMBOLS ▽=0 ▽=0	GENERAL TOLERANCES (UNLESS SPECIFIED)		DIMENSION STYLE IN/MM		SCALE 4:1	DESIGN UNITS INCH	THIRD ANGLE PROJECTION			
		4 PLACES ± --- ± ---	3 PLACES ± --- ± .005	DRAWN BY EDB	DATE 2001/01/23	TITLE RING TONGUE TERMINAL, 8 AWG					
		2 PLACES ± 0.13 ± .01	1 PLACE ± 0.25 ± ---	CHECKED BY HEB	DATE 2001/01/23	MATERIAL NO. SEE CHART					
		0 PLACE ± ±	ANGULAR ± 1/2° DRAFT WHERE APPLICABLE MUST REMAIN WITHIN DIMENSIONS		APPROVED BY DATE 2001/01/23	DOCUMENT NO. SD-19193-016				SHEET NO. 1 OF 1	
		THIS DRAWING CONTAINS INFORMATION THAT IS PROPRIETARY TO MOLEX INCORPORATED AND SHOULD NOT BE USED WITHOUT WRITTEN PERMISSION									