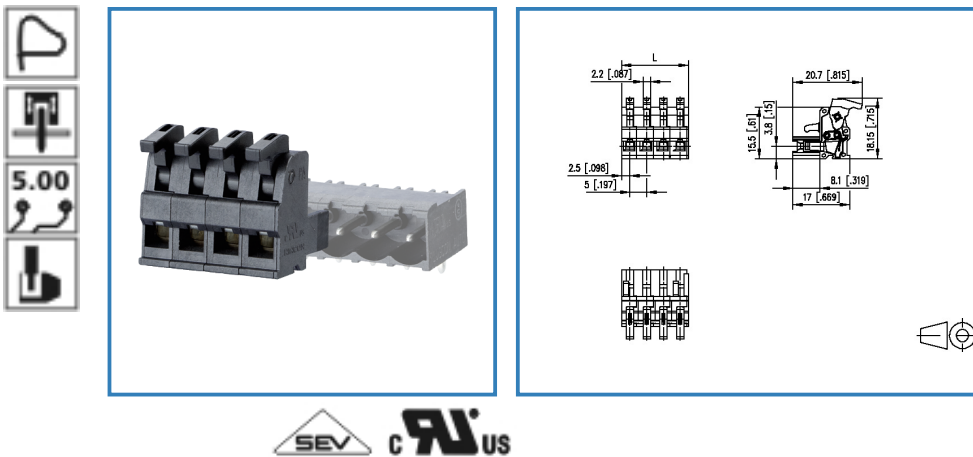


Data Sheet

SP045xxVBNC

Illustration



see enlarged drawing at the end of the document

Product specification

- spring clamp terminal block, pluggable
- centerline 5.00 mm, direction of connection vertical 0°
- fittable without loss of poles
- color black
- eccentric lever, wire entry uncodeable side parallel to plug direction

© 2017 METZ CONNECT - Technische Änderungen vorbehalten! Subject to modifications! Sous réserve de modifications techniques!



Data Sheet

SP045xxVBNC

Technical Data

General Data


min. number of poles	2		
max. number of poles	24		
Insulating material class	CTI 400		
clearance/creepage dist.	4 mm		
protection category	IP 20		
Overvoltage category	III	III	II
Pollution degree	3	2	2
Rated voltage	32.0 V	200.0 V	200.0 V
Rated test voltage	1.5 kV	1.5 kV	1.5 kV

Connection data

Rated wiring solid wire	0.08 - 1.5 mm ² / AWG 28 - 16
Rated wiring stranded wire	0.08 - 1.5 mm ² / AWG 28 - 16

Approvals

 V / A / AWG	300 / 10 / 28 - 16
--	--------------------

	10 A / 250 V / 4 kV / 3 / IEC 61984 / 0.08 - 1 mm ²
--	--

Material

insulating material	PA46
flammability class	V0
spring material	Spring steel
contact material	CuSn
Glow-Wire Flammability GWFI	-
Glow-Wire Flammability GWIT	-
contact surface	Sn

Climatic properties

upper limit temperature	105 °C
lower limit temperature	-40 °C

General

Tolerance	ISO 2768 -mH
-----------	--------------

Data Sheet

SP045xxVBNC



Data Sheet

SP045xxVBNC

Page 4/5

P/N

ASP045xx

xx=number of poles

2017/05/05

Matching Part

P/N	Product name
311761	PR065xxHBBN Typ 176
314761	PR065xxHBEC Typ 476
313381	PR075xxHBER Typ 338
313371	PR075xxHBEL Typ 337
313301	PT115xxHBBN Typ 330
313291	PT115xxHBEC Typ 329
313201	PT115xxVBBN Typ 320
313191	PT115xxVBEC Typ 319
312761	PT165xxHGDN Typ 276
312741	PT165xxVGDN Typ 274
312701	PT175xxVGDN Typ 270
311771	PR065xxVBBN Typ 177
314771	PR065xxVBEC Typ 477

Accessories

P/N	Product name
700025-01-9	700025

© 2017 METZ CONNECT - Technische Änderungen vorbehalten! Subject to modifications! Sous réserve de modifications techniques!



Data Sheet

SP045xxVBNC

Page 5/5

P/N

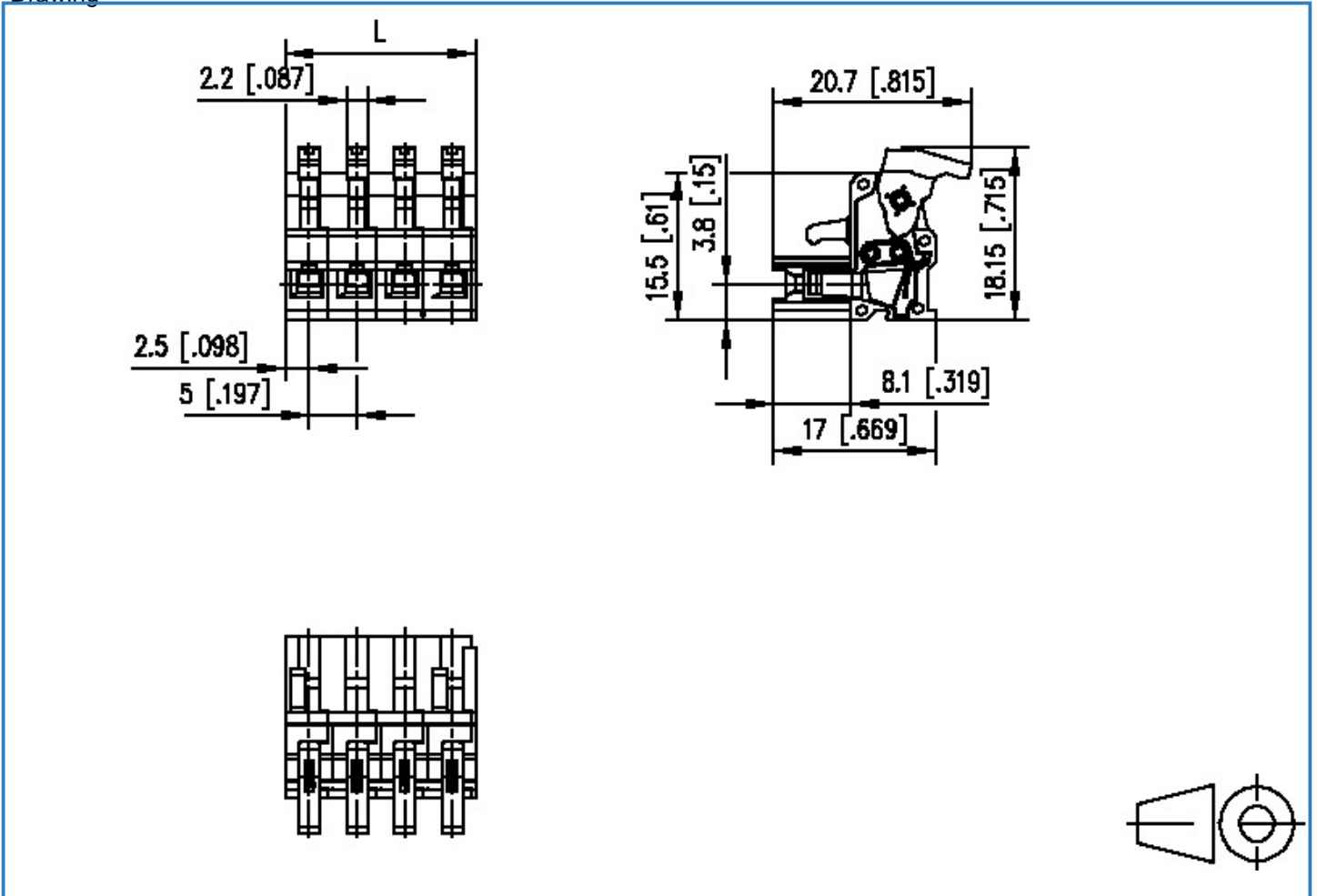
ASP045xx

xx=number of poles

2017/05/05

Illustration

Drawing



$$L = (\text{pole size} - 1) \times \text{centerline} + 5 [0.197]$$

