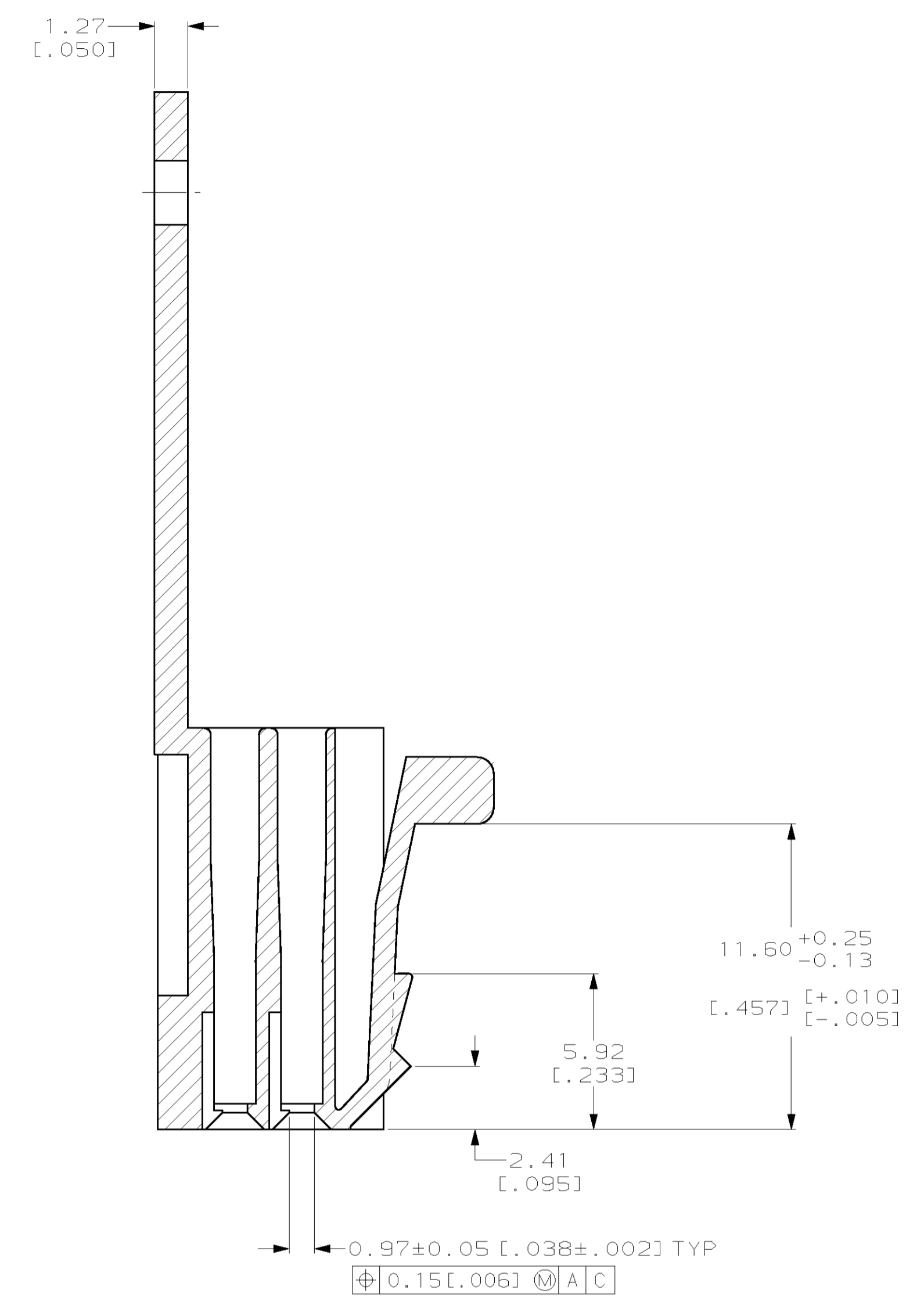
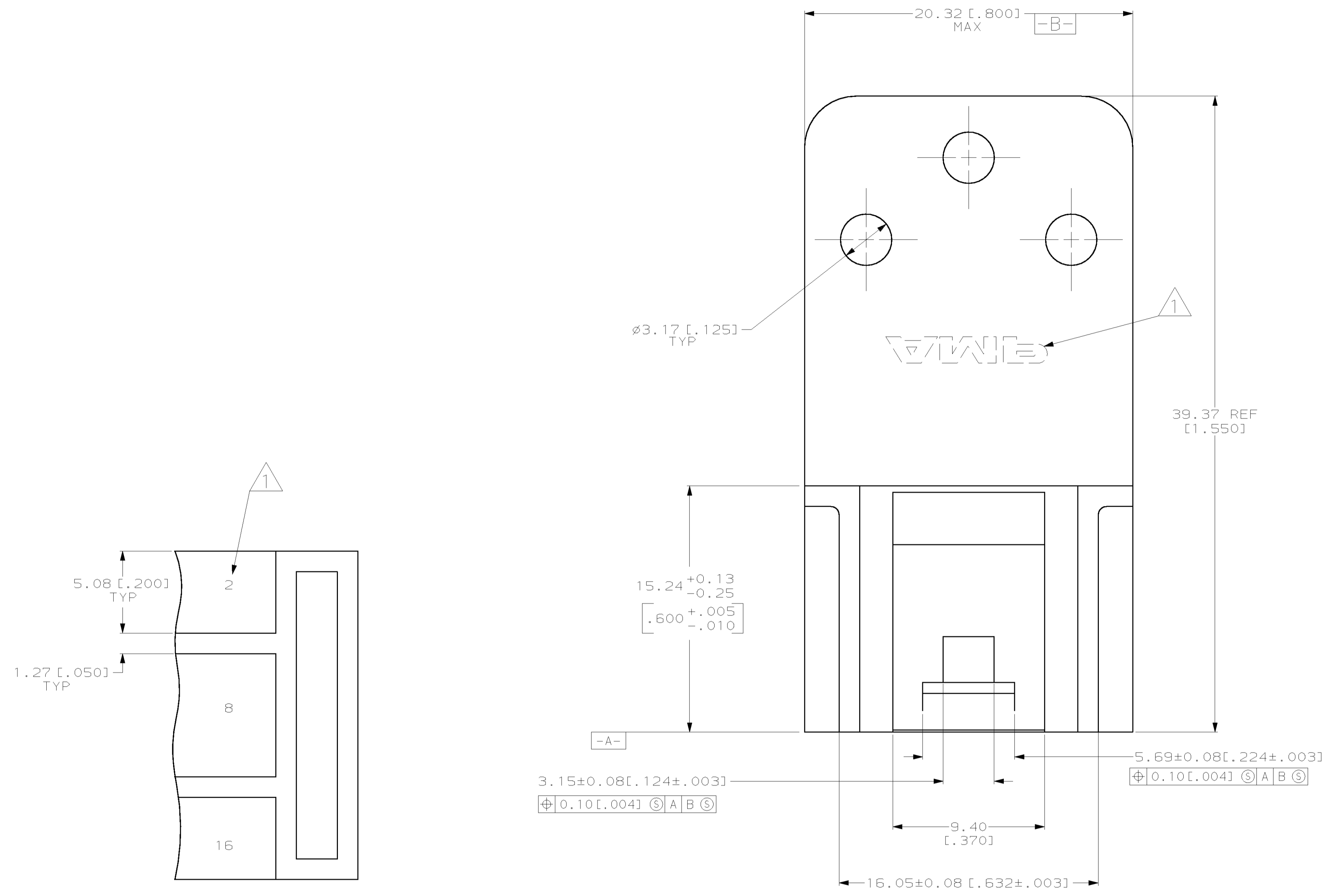
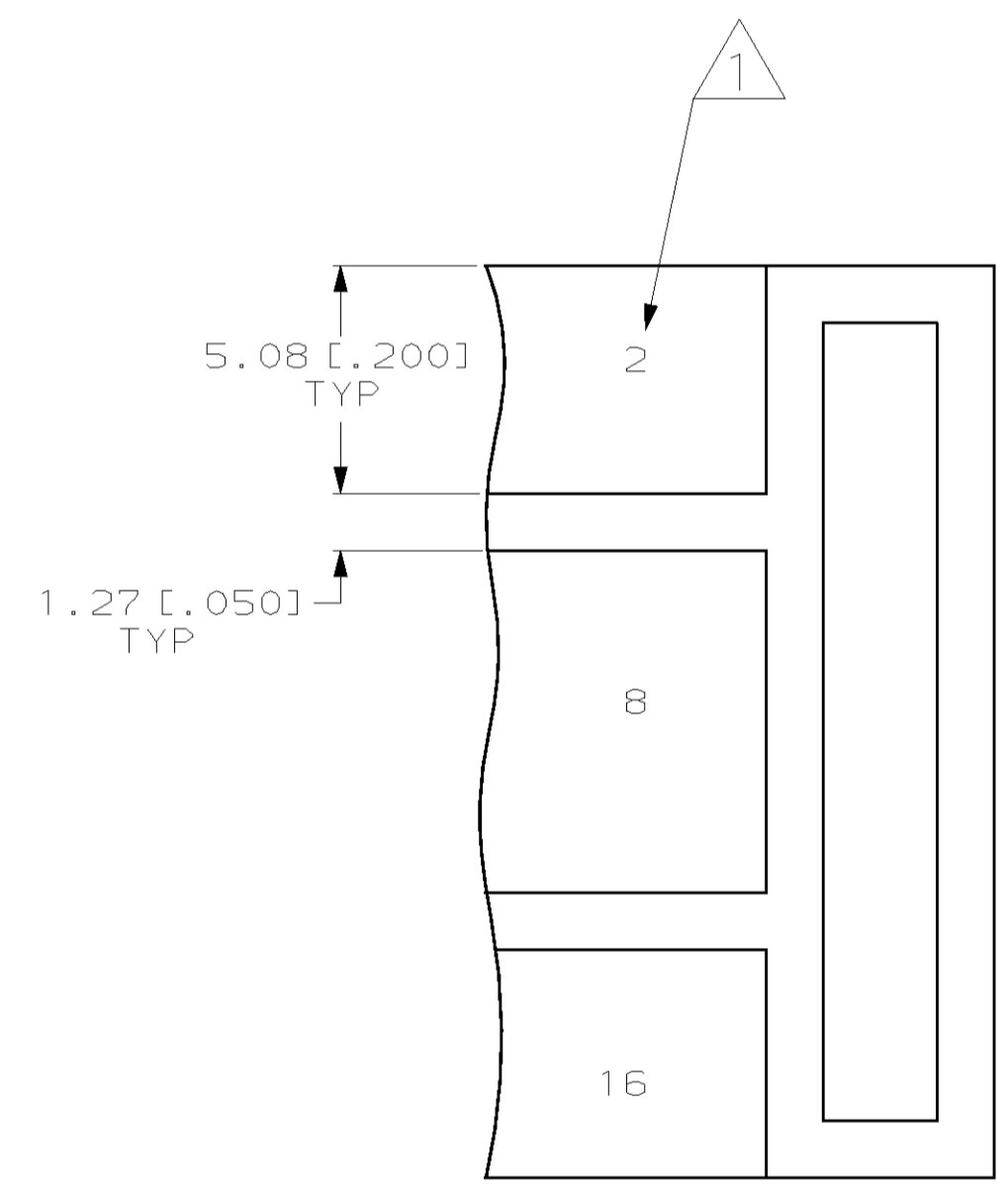


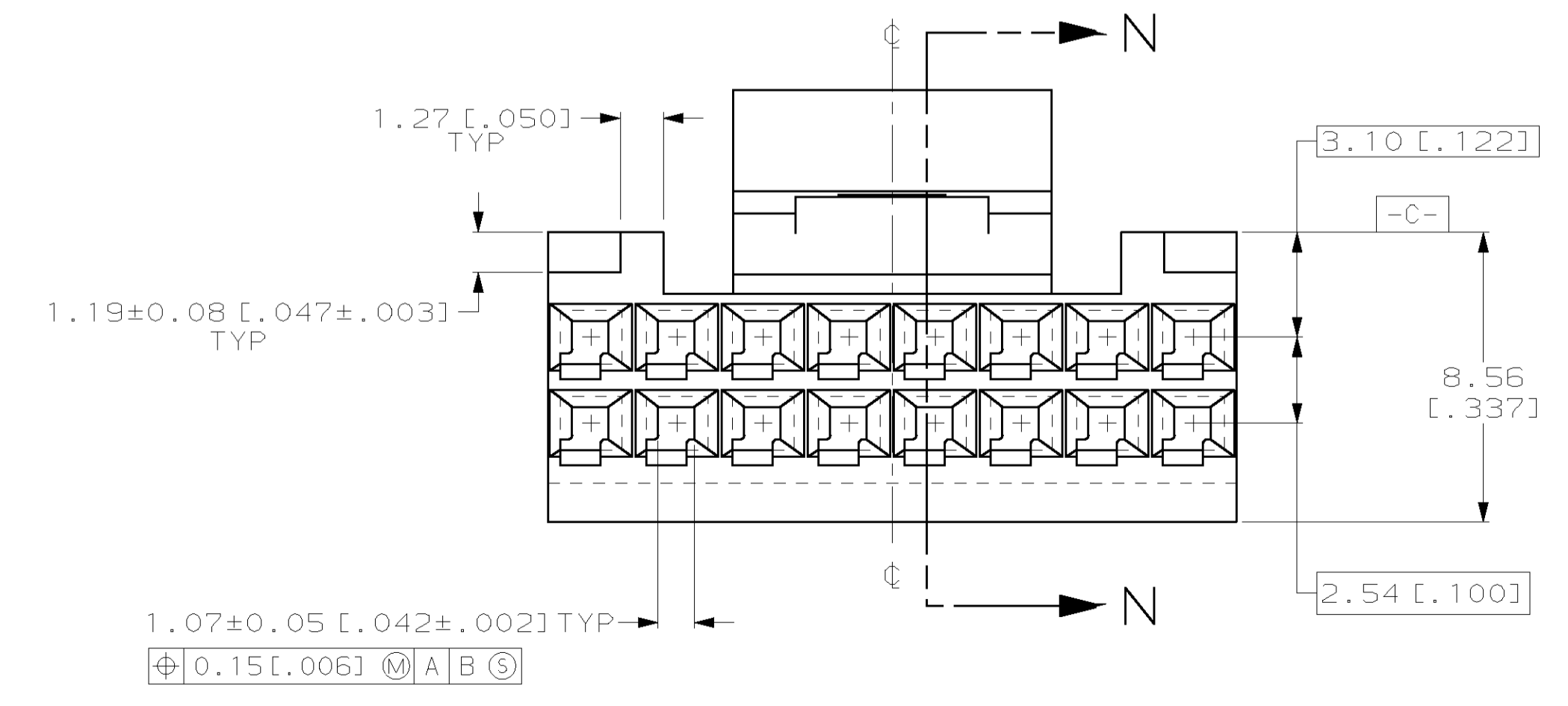
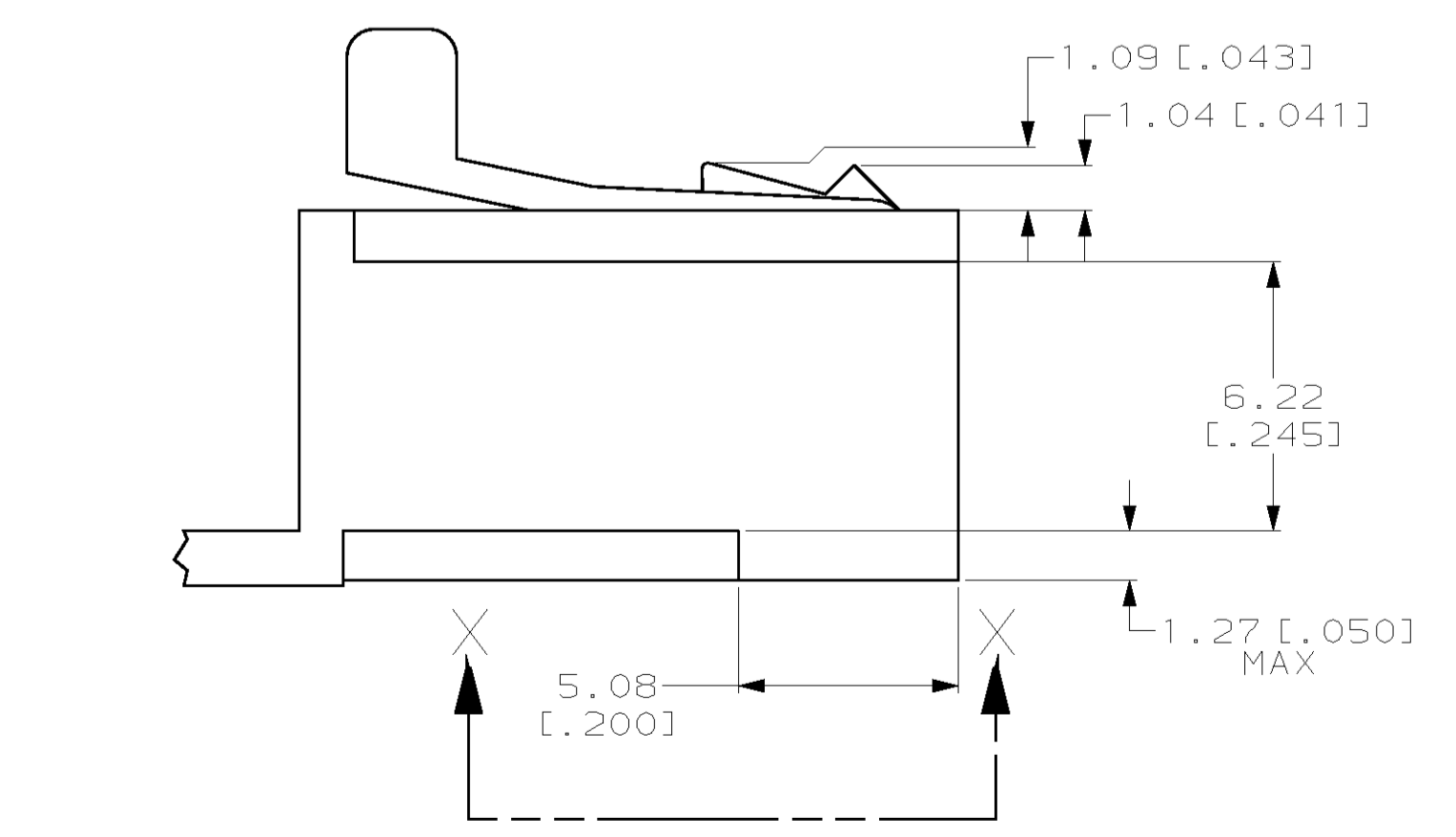
REVISONS		DATE	BY	APPROV
AD	39	31JUL03	RB	DS
B	REV PER 063C-0040-03			



SECTION N-N



VIEW X-X



1 CAVITY ID'S AND AMP TRADEMARKS MOLDED IN AT LOCATIONS SHOWN.

104917-1
 ASSEMBLY
 PART
 NUMBER

THIS DRAWING IS UNPUBLISHED. IF IT IS SUBJECT TO CHANGE AND THE CONTROLLING ENGINEERING ORGANIZATION SHOULD BE CONTACTED FOR THE LATEST REVISION.		E. BRANDBERG 10-13-94 S. SHUEY 10-13-94 S. SHUEY 10-13-94	AMP Incorporated Harrisburg, PA 17105-3608
DIMENSIONS: mm (INCHES)	TOLERANCES UNLESS OTHERWISE SPECIFIED: 0 PLC ±.010 1 PLC ±.010 2 PLC ±.010 3 PLC ±.010 4 PLC ±.010 ANGLES ±.010	AMP HOUSING, MOD IV, DBL ROW, 2.54 [.100] CL X 2.54 [.100] CL, WITH POLARIZATION & LATCH	SIZE A1 00779
MATERIAL FLAME RETARDANT THERMOPLASTIC COLOR: BLACK	FINISH -	WEIGHT -	DRAWING NO. 104917 SCALE 6:1 SHEET 1 OF 1 REV B
CUSTOMER DRAWING		AMP	