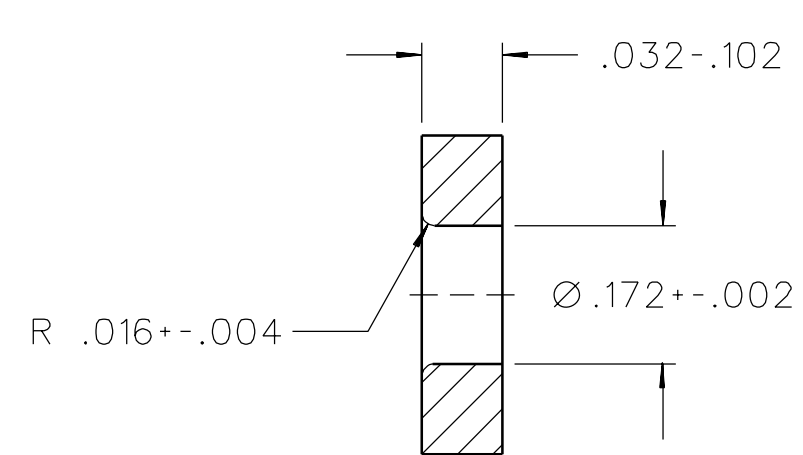
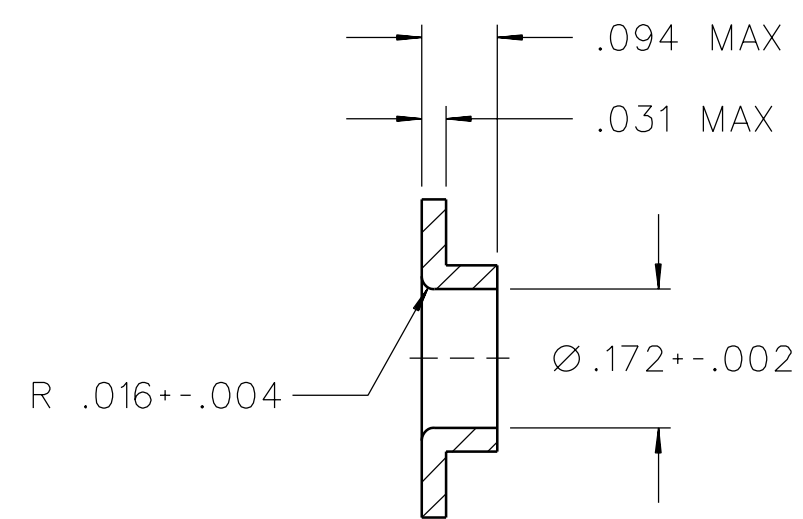
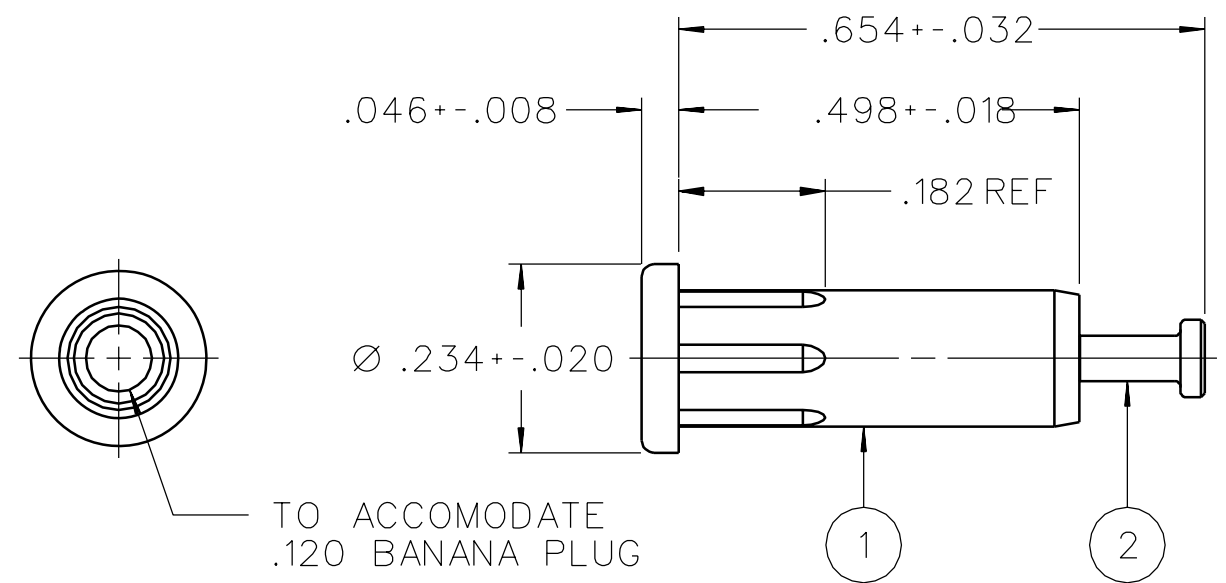


|              |                |                              |
|--------------|----------------|------------------------------|
| PART NUMBER  | ITEM ①<br>BODY | ITEM ②<br>CONTACT            |
| 108-11XX-001 | NYLON          | BRASS<br>SILVER PL .0001 MIN |

| CATALOG DESIGNATION<br>FOR VARIOUS COLORED BODIES |             |
|---|-------------|
| PART NUMBER                                       | COLOR       |
| 108-1101-001                                      | WHITE       |
| 108-1102-001                                      | RED         |
| 108-1103-001                                      | BLACK       |
| 108-1104-001                                      | GREEN       |
| 108-1105-001                                      |             |
| 108-1106-001                                      | ORANGE      |
| 108-1107-001                                      | YELLOW      |
| 108-1108-001                                      | BROWN       |
| 108-1109-001                                      | LIGHT GREEN |
| 108-1110-001                                      | BLUE        |
| 108-1111-001                                      |             |
| 108-1112-001                                      | VIOLET      |
| 108-1113-001                                      | GRAY        |

|  |  |
|--|--|
| DRAWING NO. 1101   |  |
| C - 108-1120-001   |  |
| 0 REVISIONS  |  |
| ENGINEERING RELEASE  |  |
| 06   | 08-29-89 E J R R F G S M H A W 1-17-90 ECO 24319 |
| ADDED: .654+-.032 .182 REF<br>DELETED: .700+-.015 CHANGED:<br>DIA .234+-.020 WAS DIA .218<br>+-.010, .046+-.008 WAS .046+-.010,<br>.498+-.010 WAS .491+-.015 |  |
| 7  | 1-27-93 R H D M C R J B ECO 41560                |



MOUNTING HOLE OPTIONS

NOTES:

- SPECIFICATIONS:
  - MECHANICAL:
    - TORQUE: 12 OZ IN MIN REQUIRED TO TURN CONTACT IN BODY
    - TORQUE: 12 OZ IN MIN REQUIRED TO TURN BODY IN PANEL
    - PUSHOUT FORCE: 20 LBS MIN REQUIRED TO REMOVE CONTACT FROM BODY
    - PUSHOUT FORCE: 15 LBS MIN REQUIRED TO REMOVE BODY FROM PANEL
  - ELECTRICAL:
    - DIELECTRIC WITHSTANDING VOLTAGE: 3500 VRMS MIN
    - CURRENT RATING: 10 AMPS MIN
    - CONTACT RESISTANCE: 10 MILLIOHMS MAX
    - CAPACITANCE: 2.0 pF NOMINAL
    - INSULATION RESISTANCE: 5000 MEGOHMS MIN
  - ENVIRONMENTAL:
    - LIFE EXPECTANCY: 5000 CYCLES MIN
    - TEMPERATURE RANGE: -55 TO 85 C
    - VIBRATION: 10 TO 55 Hz MIN
    - SHOCK: 100 g's MIN

CUSTOMER DRAWING  
THIS DRAWING TO BE INTERPRETED  
PER ANSII Y 14.5M - 1982  
"μSTATION"  
COMPANY CONFIDENTIAL

|                                      |       |              |           |
|--------------------------------------|-------|--------------|-----------|
| TOLERANCE UNLESS OTHERWISE SPECIFIED |       | DRAWN BY     | DATE      |
| DECIMALS                             | mm    | E J          | 9-12-89   |
| .XX                                  | _____ | CHECKED BY   | DATE      |
| .XXX                                 | _____ | RRF          | 1-12-90   |
| MATL                                 | _____ | APPROVED BY  | DATE      |
|                                      |       | GSQ          | 1-12-90   |
| FINISH                               | _____ | RELEASE DATE | 1-17-90   |
|                                      |       | U/M INCH     | SCALE 4:1 |

|   |                                      |   |
|---|--------------------------------------|---|
|  <b>Cinch</b><br>CONNECTIVITY SOLUTIONS<br>a bel group |                                      | Cinch Connectivity Solutions<br>P.O. Box 1732<br>Waseca, MN 56093<br>1-800-247-8256 |
| TITLE<br>MINI BANANA JACK,<br>RIB-LOC<br>FOR .120 BANANA PLUG   |                                      |   |
| SHEET<br>2 OF 2   | DRAWING NO.<br>C - 108-1101/1120-001 |   |