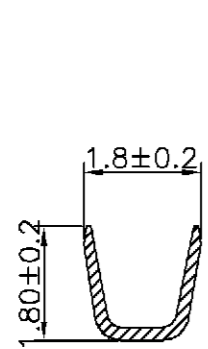
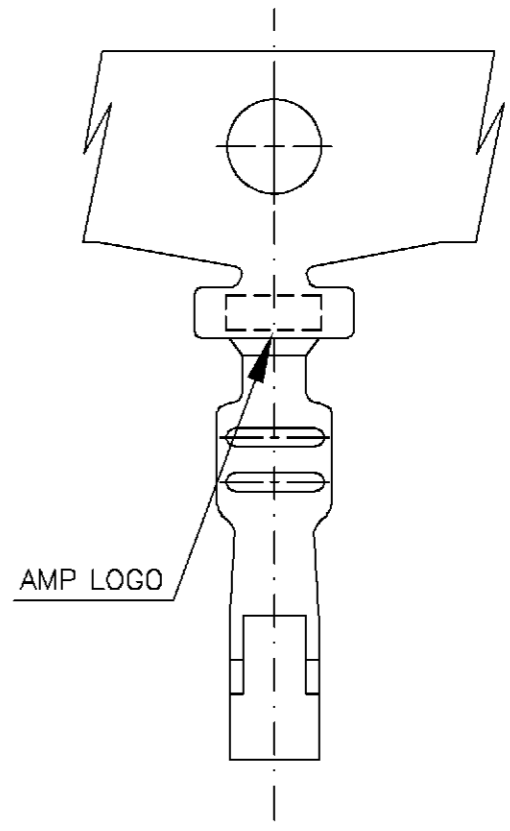
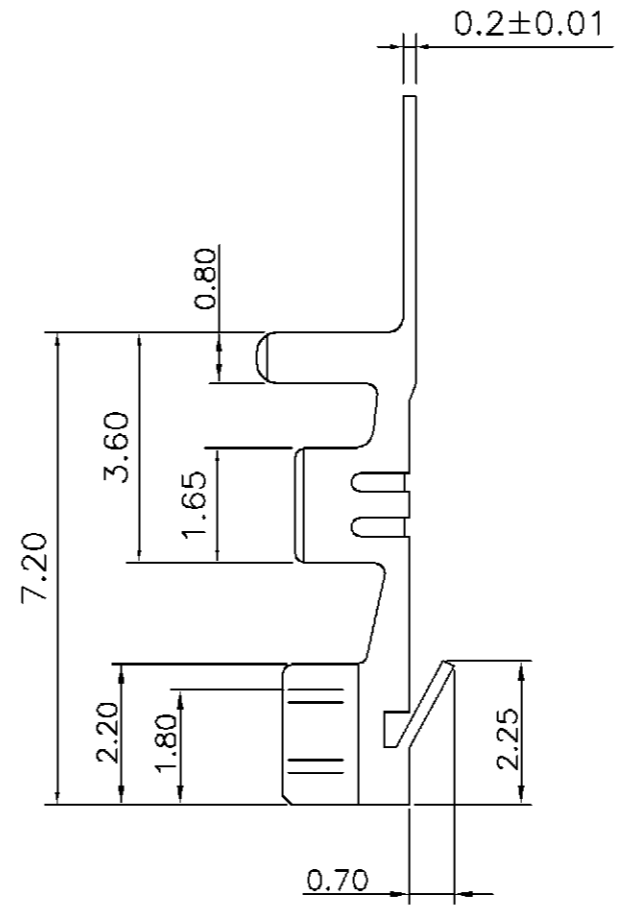
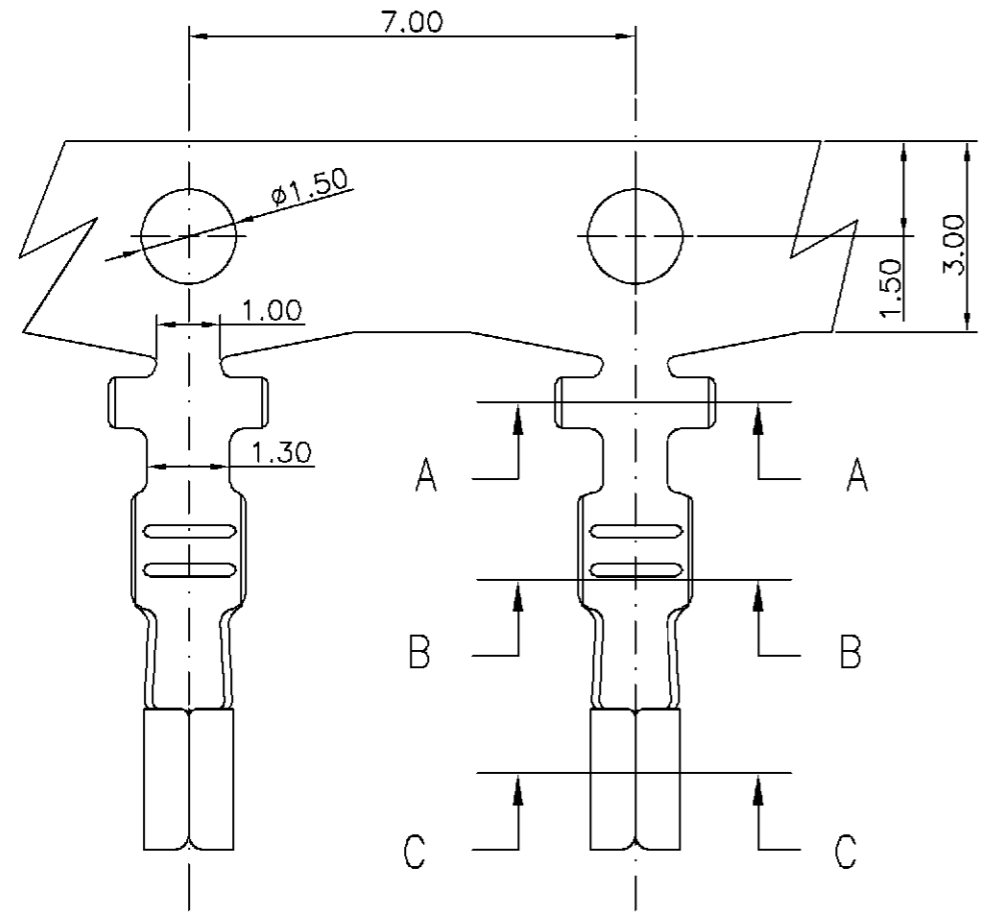


NUMBER
C-1470223

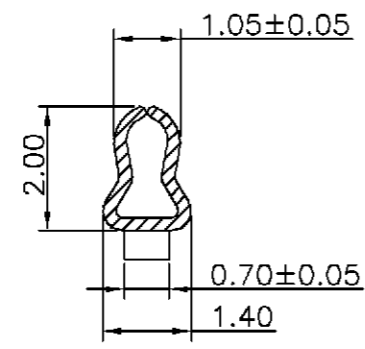
3RD ANGLE PROJECTION

METRIC

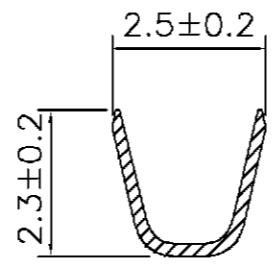
THIS INFORMATION IS CONFIDENTIAL AND IS DISCLOSED TO YOU ON CONDITION THAT NO FURTHER DISCLOSURE IS MADE BY YOU TO OTHER THAN AMP PERSONNEL WITHOUT WRITTEN AUTHORIZATION FROM AMP (TAIWAN) LTD. DIMENSIONS IN MILLIMETERS. DO NOT SCALE PRINT.



SEC B-B



SEC C-C



SEC A-A

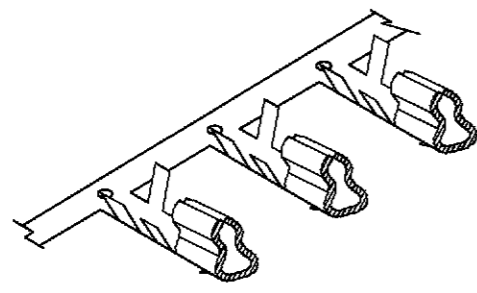
NOTE:

1. MATERIAL :
TERMINAL : COPPER ALLOY.
2. FINISH:
TERMINAL : TIN PLATED ON CONTACT AREA.
NICKEL UNDERPLATED OVER ALL.
3. QUALIFICATION TEST REPORT: 501-57195.

1470223-1
PART NUMBER

DIMENSION : 0 PLC ±0.5 1 PLC ±0.2 2 PLC ±0.1 3 PLC ±0.05 ANGLES ±3'	DWN	O. HU 31-MAR-2004	TYCO HOLDINGS (BERMUDA) VII LTD. TAIWAN BRANCH
	CHK	S. HOU 31-MAR-2004	
MATERIAL	APVD	T. KE 31-MAR-2004	NAME 2.5mm PITCH EMIX RCPT CRIMP CONTACT
SEE NOTE	PRODUCT SPEC	108-57175	
FINISH	APPLICATION SPEC	114-57012	LOC DW A ₃ DRAWING NO C-1470223 REV B
SEE NOTE	WEIGHT		SCALE -- SHEET 1 OF 2

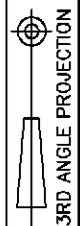
B	CHANGE PACKAGE'S QTY'S	FZ00-0048-04	OH SH	02-APR 2004
A	REVISED DRAWING	FZ00-0167-03	OH AW	28-JUL 2003
O	FIRST RELEASED	FZ00-0009-02	OH JC	10JAN 2002
LTR	REVISION RECORD	ECN	DWN CHK	DATE



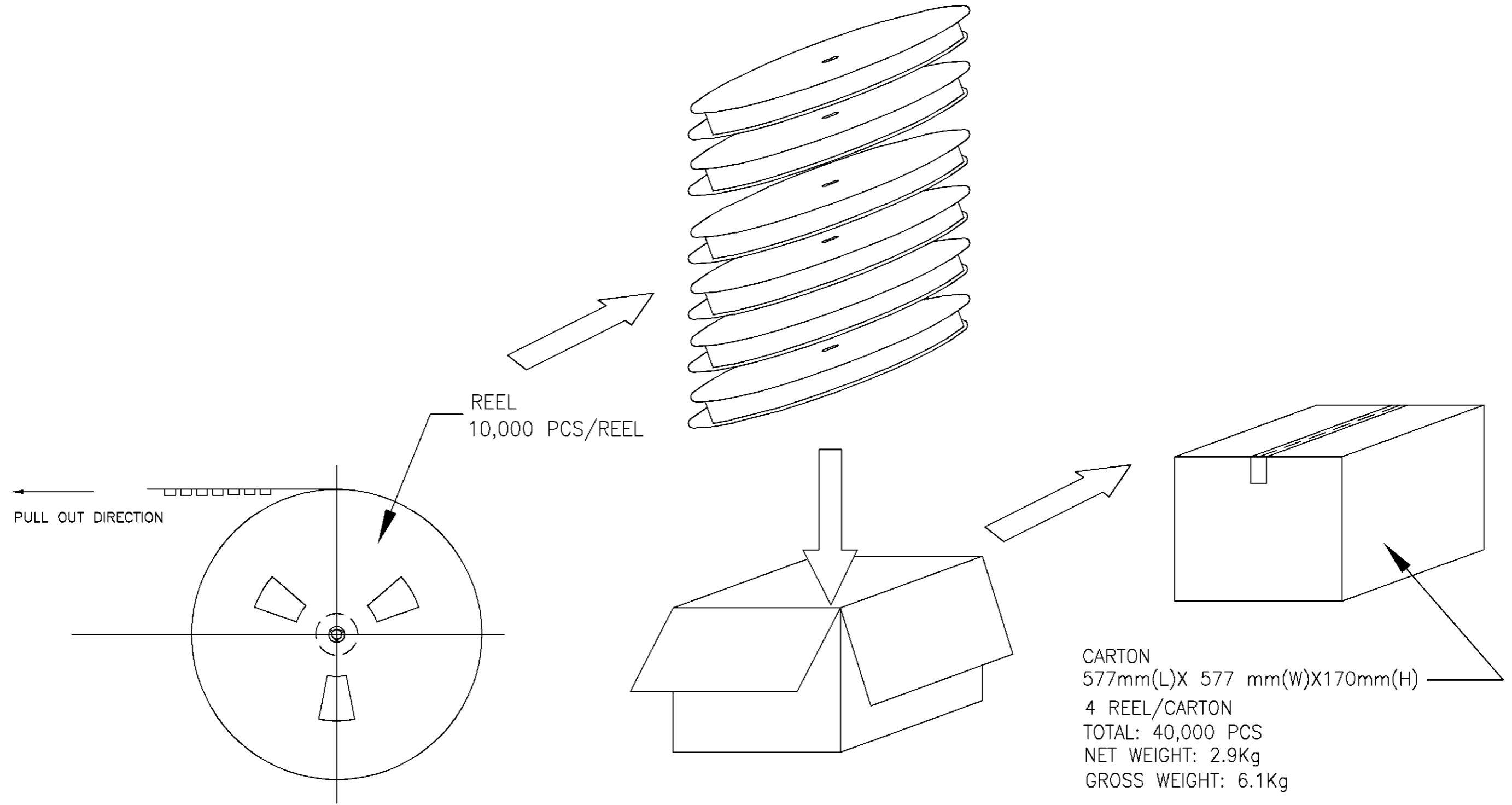
THIS INFORMATION IS CONFIDENTIAL AND IS DISCLOSED TO YOU ON CONDITION THAT NO FURTHER DISCLOSURE IS MADE BY YOU TO OTHER THAN AMP PERSONNEL WITHOUT WRITTEN AUTHORIZATION FROM AMP (TAIWAN) LTD. DIMENSIONS IN MILLIMETERS. DO NOT SCALE PRINT.

PRINT DIST
DW

METRIC



NUMBER
C-1470223



SEE SHEET 1.	ECN	DWN	CHK	DATE
LTR	REVISION RECORD			

DIMENSION : 0 PLC ±0.5 1 PLC ±0.2 2 PLC ±0.1 3 PLC ±0.05 ANGLES ±3'	DWN	O. HU	TYCO HOLDINGS (BERMUDA) VII LTD. TAIWAN BRANCH			
	CHK	S. HOU				
MATERIAL SEE NOTE	APVD	T. KE	NAME 2.5mm PITCH EMIX RCPT CRIMP CONTACT			
	PRODUCT SPEC	31-MAR-2004				
FINISH SEE NOTE	APPLICATION SPEC		LOC	SIZE	DRAWING NO	REV
	WEIGHT		DW	A ₃	C-1470223	B
			SCALE	SHEET		
			--	2 OF 2		

CUSTOMER DRAWING

8

7

6

5

4

3

2

1

D

C

B

A