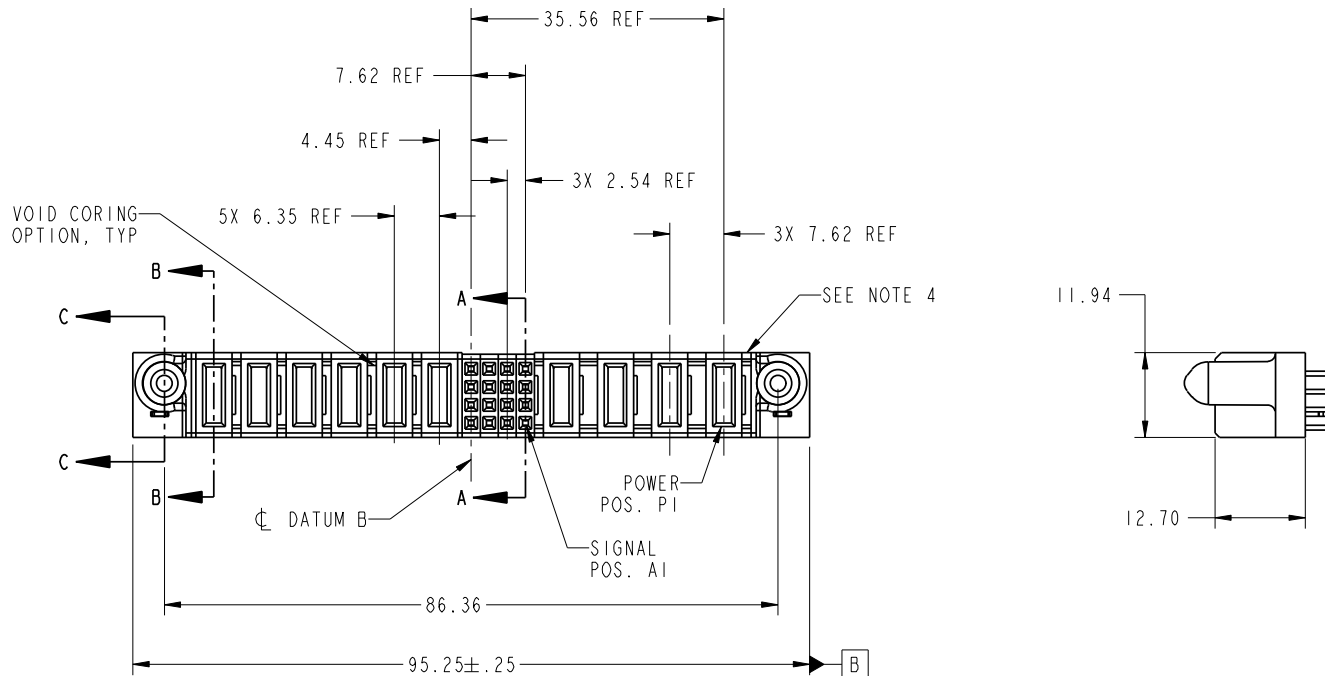


Tous droits strictement reserves. Reproduction ou communication a des tiers interdite sous quelque forme que ce soit sans autorisation écrite du propriétaire. Propriete de c FCI. Droits de reproduction FCI.



All rights strictly reserved. Reproduction or issue to third parties in any form whatever is not permitted without written authority from the proprietor. Property of FCI. Copyright FCI.

PRODUCT NO.	ROW S	POWER						SIGNAL			POWER				E1		
		E2	P10	P9	P8	P7	P6	P5	4	3	2	1	P4	P3		P2	P1
51940-218-- NOTE: 3	D C A		PA	PA	PA	PA	PA	PA	E	E	E	E	PA	PA	PA	PA	



CODE	DIM "M" MATING LENGTH	CONTACT TYPE
E	[N/A]	SIGNAL
PA	[1.07]	POWER
HA	[N/A]	HOLD-DOWN

mat'l code				SEE NOTES		tolerances unless otherwise specified		CUSTOMER		 www.fciconnect.com	
lir	ecn no.	dr	date	linear	0.X ± 0.3		COPY		title		
A	DG07-0089	RYAN	03/08/07		0.XX ± 0.13		projection		4ACP + 16S + 6P VERTICAL STB RECEPT		
				angles	0.XXX ± 0.051		 MM		product family		code
				dr	RYAN YUAN	03/08/07	scale		PwrBlade		213
				enr	RYAN YUAN	03/18/07	1:1		size		sheet
				chr	GARY HSIEH	03/08/07			dwg no		1 of 4
				appd	JOSEPH HSIA	03/08/07			51940-218		
sheet index	revision	A	A	A	A						
	sheet	1	2	3	4						

cage code 22526

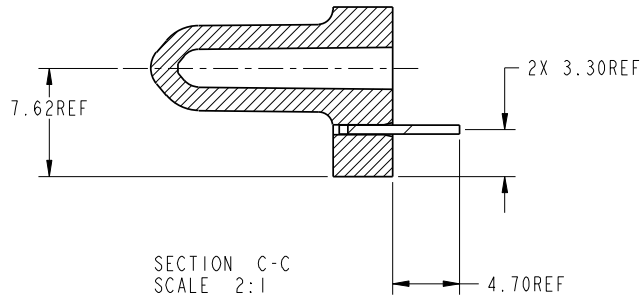
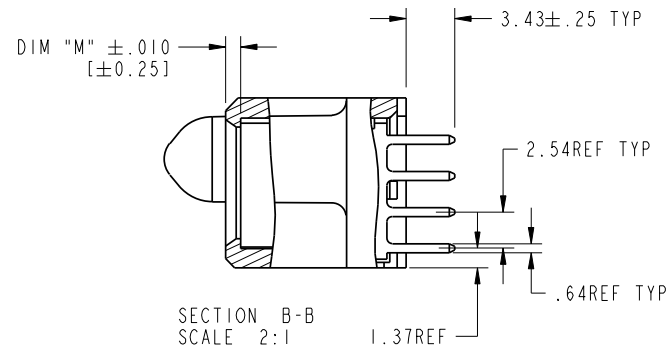
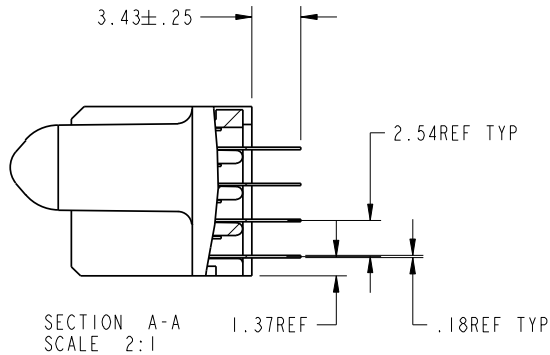
Pro/E

Tous droits strictement reserves. Reproduction ou communication a des tiers interdite sous quelque forme que ce soit sans autorisation ecrite du proprietaire. Propriete de c FCI. Droits de reproduction FCI.



All rights strictly reserved. Reproduction or issue to third parties in any form whatever is not permitted without written authority from the proprietor. Property of FCI. Copyright FCI.

PRODUCT NUMBER
51940-218--
NOTE: 3



mat'l code				tolerances unless otherwise specified		CUSTOMER		FCI	
lfr	ecr no.	dr	date	linear	0.X ± 0.3	COPY		www.fciconnect.com	
A					0.XX ± 0.13	projection		title	
				angles	0.XXX ± 0.051			4ACP + 16S + 6P VERTICAL STB RECEPT	
				dr	RYAN YUAN 03/08/07			product family	PwrBlade
				enr	RYAN YUAN 03/18/07			size	dwg no
				chr	GARY HSIEH 03/08/07			A	51940-218
				appd	JOSEPH HSIA 03/08/07	scale		2 of 4	
						1:1		sheet	
sheet index	revision sheet							2 of 4	

cage code 22526

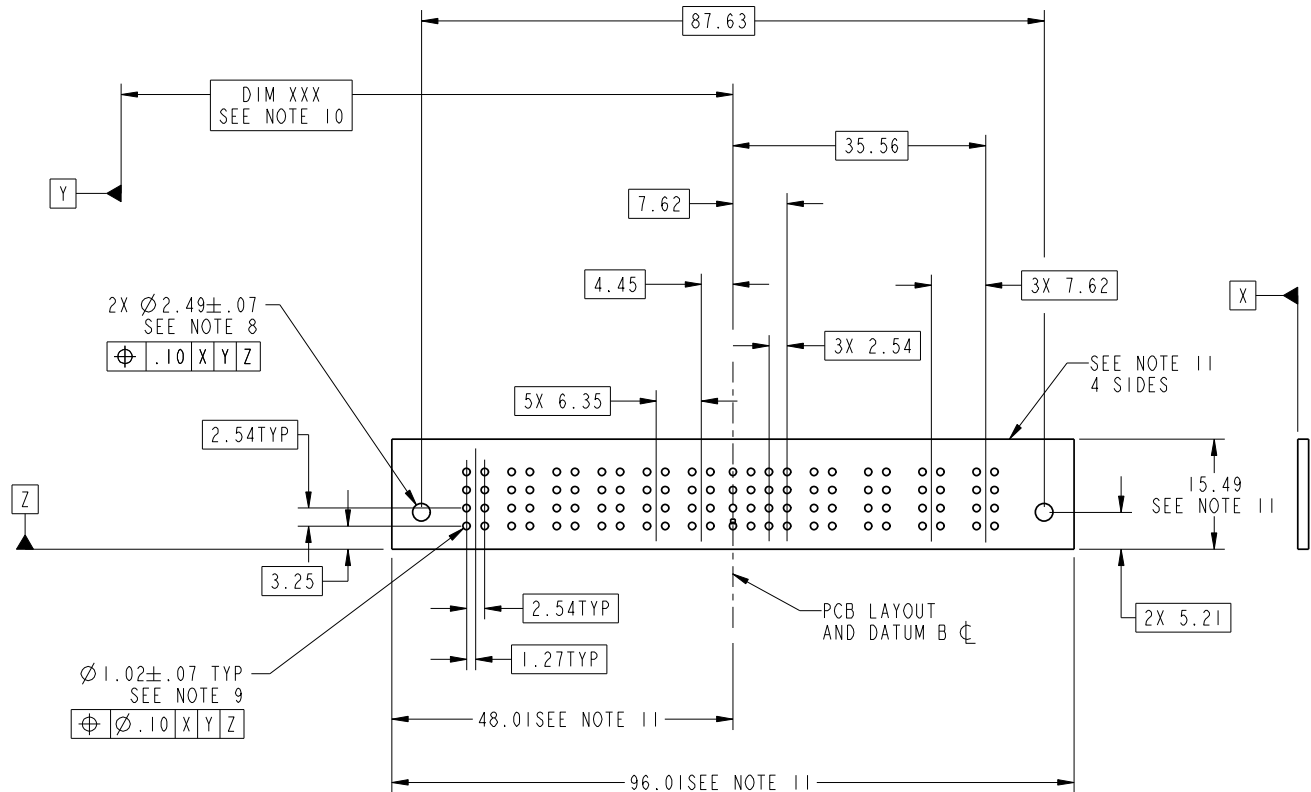
Pro/E

Tous droits strictement réservés. Reproduction ou communication a des tiers interdite sous quelque forme que ce soit sans autorisation écrite du propriétaire. Propriété de c FCI. Droits de reproduction FCI.



All rights strictly reserved. Reproduction or issue to third parties in any form whatever is not permitted without written authority from the proprietor. Property of FCI. Copyright FCI.

PRODUCT NUMBER
51940-218--
NOTE: 3



mat'l code				tolerances unless otherwise specified		CUSTOMER		FCI	
lfr	ecr no.	dr	date	linear	0.X ± 0.3	COPY		www.fciconnect.com	
A				angles	0.XX ± 0.13	projection		title	
				dr	0.XXX ± 0.051	MM		4ACP + 16S + 6P	
				enr	0° ± 2°	scale		VERTICAL STB RECEIPT	
				chr	RYAN YUAN 03/08/07	1:1		product family PwrBlade code	
				appd	RYAN YUAN 03/18/07			size	
					GARY HSIEH 03/08/07			51940-218	
					JOSEPH HSIA 03/08/07			213	
sheet index	revision sheet							sheet 3 of 4	

cage code 22526

Pro/E

Tous droits strictement reserves. Reproduction ou communication a des tiers interdite sous quelque forme que ce soit sans autorisation écrite du propriétaire. Propriete de c FCI. Droits de reproduction FCI.



All rights strictly reserved. Reproduction or issue to third parties in any form whatever is not permitted without written authority from the proprietor. Property of FCI. Copyright FCI.

1 | 2

3 |

4

PRODUCT NUMBER

51940-218__
NOTE: 3

NOTES:

1. DIMENSIONS AND TOLERANCES ARE IN ACCORDANCE WITH ASME Y14.5M, 1994 UNLESS OTHERWISE SPECIFIED.

CONNECTOR NOTES:

- ② HOUSING MATERIAL: UL 94 V-0 GLASS FILLED
HIGH-TEMP THERMOPLASTIC
POWER CONTACT MATERIAL: COPPER ALLOY
SIGNAL PIN MATERIAL: COPPER ALLOY
- 3. PLATING SPEC.
51940-218,51940-218LF PLATING SPEC. WAS SHOWN IN THE PRINT OF 10064183.
- ④ MANUFACTURER'S NAME, P/N, AND DATE CODE TO APPEAR ON THIS SURFACE.
- 5. PRODUCT SPECIFICATION GS-12-149.
APPLICATION SPECIFICATION BUS-20-067.
- 6. PACKAGED IN TRAYS.

PCB NOTES:

- 7. ALL HOLE DIAMETERS ARE FINISHED HOLE SIZE.
- ⑧ MOUNTING HOLES, WHERE APPLICABLE, ARE UNPLATED.
- ⑨ $\varnothing 1.151 \pm 0.025$ DRILLED HOLES PLATED WITH 0.008 MIN SnPb OR Sn OVER 0.03 TO 0.08 Cu PLATING TO ACHIEVE $\varnothing 1.02 \pm .07$ HOLE.
- ⑩ "DIM XXX" TO BE DETERMINED BY THE CUSTOMER.
- ⑪ CONNECTOR KEEP-OUT ZONE.

A

A

B

B

mat'l code				tolerances unless otherwise specified		CUSTOMER			
lfr	ecn no.	dr	date	linear	0.X ± 0.3	COPY		www.fciconnect.com	
A				linear	0.XX ± 0.13	projection		title	
				angles	0.XXX ± 0.051			4ACP + 16S + 6P VERTICAL STB RECEIPT	
				dr	0° ± 2°			product family PwrBlade code 213	
				enrg	RYAN YUAN 03/08/07	scale		size dwg no	
				chr	GARY HSIEH 03/08/07	1:1		A 51940-218	
				appd	JOSEPH HSIA 03/08/07			sheet 4 of 4	
sheet index	revision sheet								

1 | 2

3 |

4

Pro/E

cage code 22526