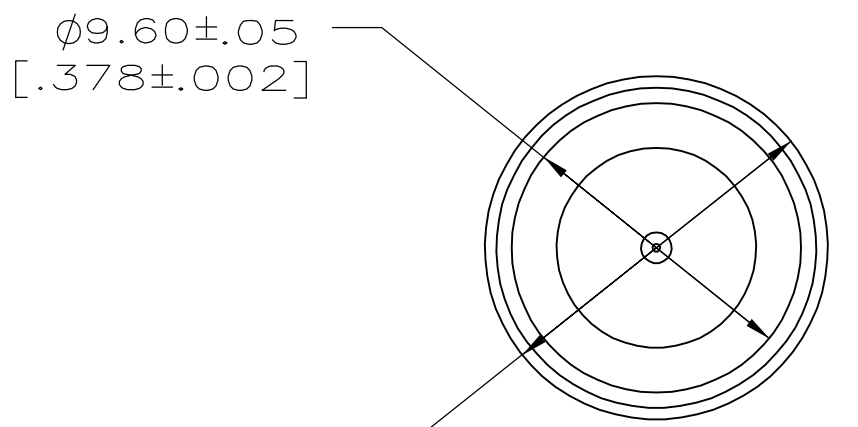
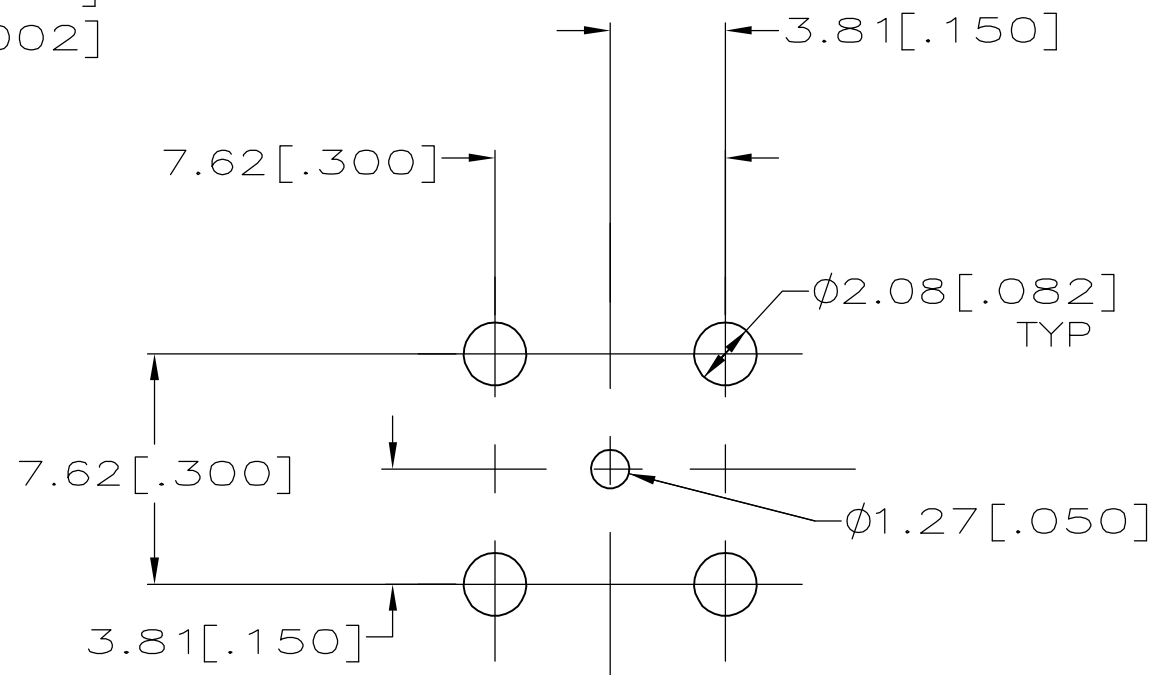
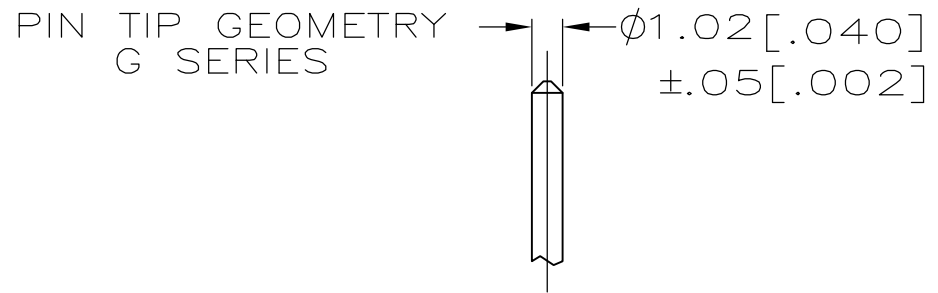
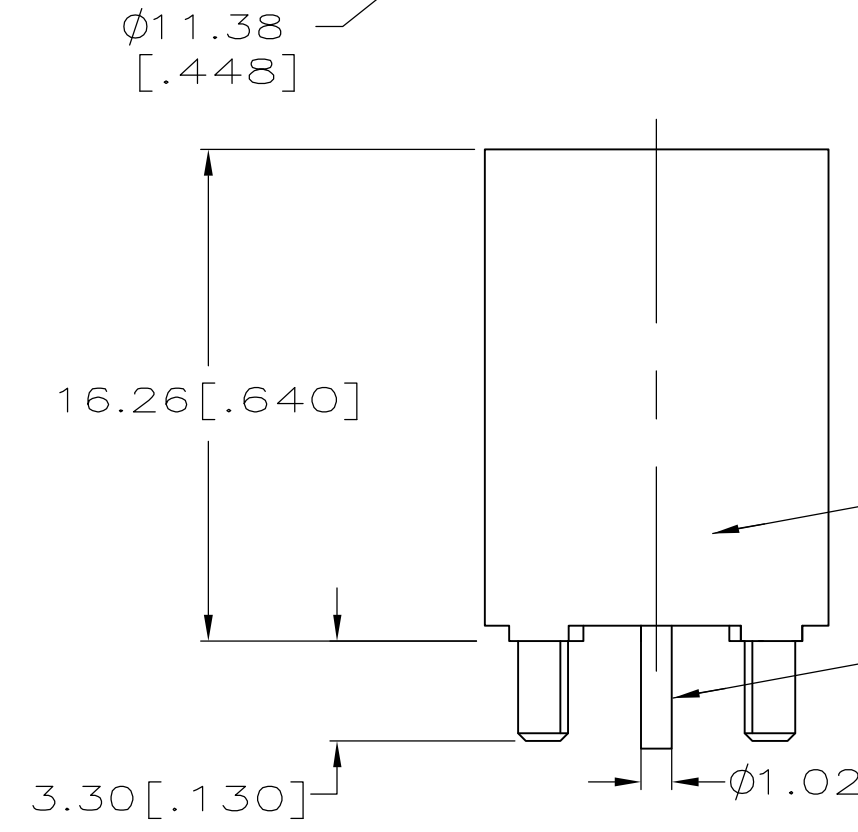


THIS DRAWING IS UNPUBLISHED. RELEASED FOR PUBLICATION  
 © COPYRIGHT - BY TYCO ELECTRONICS CORPORATION. ALL RIGHTS RESERVED.

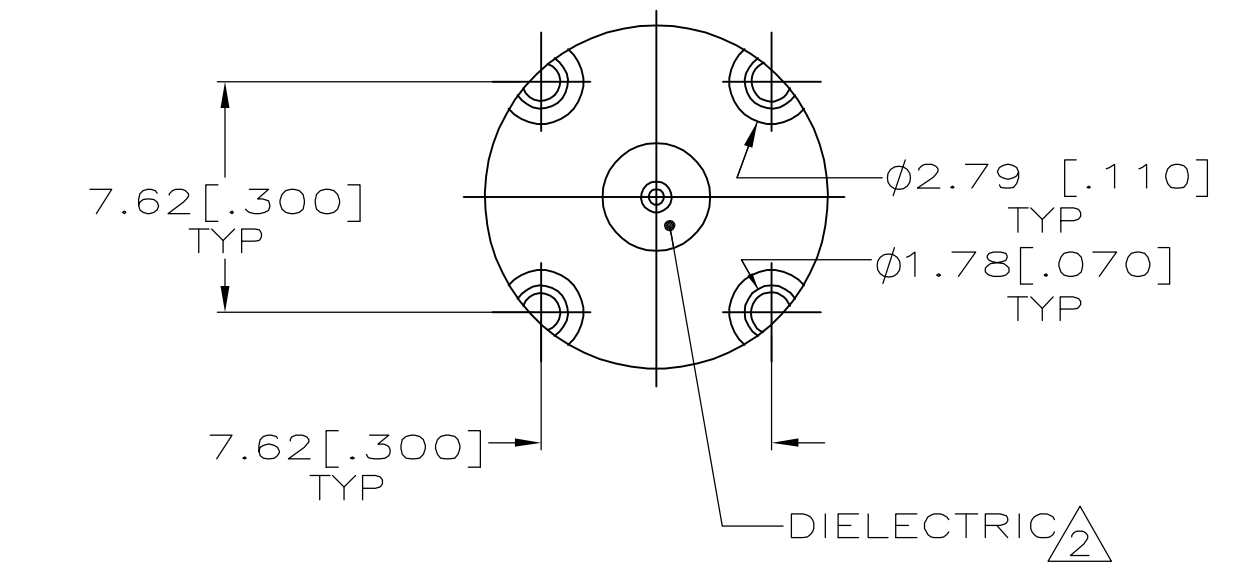
LOC	DIST	REVISIONS			
P	LTR	DESCRIPTION	DATE	DWN	APVD
AJ	16	0	REV PER EC-0S14-0496-04	02FEB2005	LV KW



- 1 ZINC PER QQ-Z-363.
- 2 ACETAL, GENERAL PURPOSE.
- 3 TIN PLATE PER ASTM-B-545  
3.81 $\mu$ m [.000150] MINIMUM THICK.
- 4. CONNECTOR DESIGNED FOR 75 OHM CHARACTERISTIC IMPEDANCE.
- 5. CONNECTOR DESIGNED FOR 22 DB MINIMUM RETURN LOSS FROM 5 TO 400 MHZ.
- 6 BRASS PER ASTM-B-16.



PCB CONFIGURATION  
TOLERANCE: ±.07 [.003]



6274045-1  
PART NUMBER

THIS DRAWING IS A CONTROLLED DOCUMENT.		DWN L. VARELA - DOCK5 20FEB2005	Tyco Electronics Corporation Harrisburg, Pa 17105-3608			
DIMENSIONS: mm [INCHES]		CHK J. HAVENER 02FEB2005				
TOLERANCES UNLESS OTHERWISE SPECIFIED:		APVD K. WEIDNER 02FEB2005	NAME PLUG, VERTICAL, PCB, G SERIES			
0 PLC ± - 1 PLC ± - 2 PLC ± - 3 PLC ± .020 [.005] 4 PLC ± - ANGLES ± -		PRODUCT SPEC -	SIZE A3	CAGE CODE 00779	DRAWING NO C-6274045	RESTRICTED TO -
MATERIAL -		FINISH -	WEIGHT -		SCALE 4:1	
CUSTOMER DRAWING			SHEET 1 OF 1		REV 0	