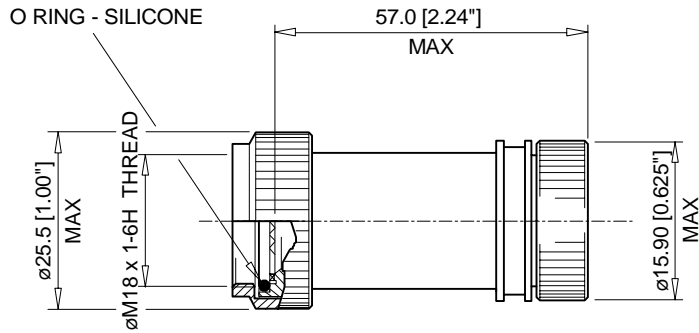
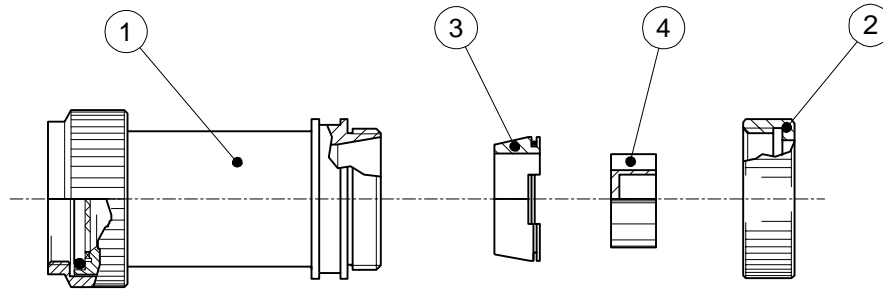


SPECIFICATION CONTROL DRAWING

REV: N/C	DATE: April 24, 2001
-------------	-------------------------



STRAIGHT ADAPTOR
-00



KIT DESCRIPTION

ITEM	DESCRIPTION	MATERIAL
1	BODY ASSEMBLY	STAINLESS STEEL NUT/ALUMINIUM ALLOY BODY
2	CLAMPING NUT - PLAIN	ALUMINIUM ALLOY
3	CONIC RING	ALUMINIUM ALLOY
4	STAR	ALUMINIUM ALLOY

<p>Wire and Harnessing Products</p>	<p style="text-align: center;">Raychem Wire and Harnessing Products 300 Constitution Drive Menlo Park, CA 94025 USA</p>	<p>TITLE: Special Length HexaShield Adaptor for Code 40 Connector-SS13 Plain Clamping Nut</p>						
<p>UNLESS OTHERWISE SPECIFIED DIMENSIONS ARE IN MILLIMETERS. INCH DIMENSIONS ARE SHOWN IN BRACKETS</p>	<p>This drawing and the information set forth hereon is the property of Tyco Electronics and are to be held in trust and confidence. Publication, duplication, disclosure or use for any other purpose not expressly authorized in writing by Tyco Electronics is prohibited.</p>	<p>DOCUMENT NO. HXS101-SC-00-13-A3-1</p>						
<table style="width: 100%; border: none;"> <tr> <td style="border: none;">DRAWN: IRT</td> <td style="border: none;">DATE: SEP 00</td> </tr> </table>	DRAWN: IRT	DATE: SEP 00	<p>Tyco Electronics reserves the right to amend this drawing at any time. Users should evaluate the suitability of the product for their application.</p>	<table style="width: 100%; border: none;"> <tr> <td style="border: none;">FILE-UK: HXS101-US</td> <td style="border: none;">DCR # & File: R010464</td> <td style="border: none;">SCALE: NONE</td> <td style="border: none;">SHEET: 1 OF 3</td> </tr> </table>	FILE-UK: HXS101-US	DCR # & File: R010464	SCALE: NONE	SHEET: 1 OF 3
DRAWN: IRT	DATE: SEP 00							
FILE-UK: HXS101-US	DCR # & File: R010464	SCALE: NONE	SHEET: 1 OF 3					

If this document is printed it becomes uncontrolled. Check for the latest revision.

SPECIFICATION CONTROL DRAWING

REV: N/C	DATE: April 24, 2001
-------------	-------------------------

ORDER INFORMATION

Order Number	Shell Size		Ferrule Quantity
	Mil.	Com.	Std.
13	C	13	3

PART NUMBERING

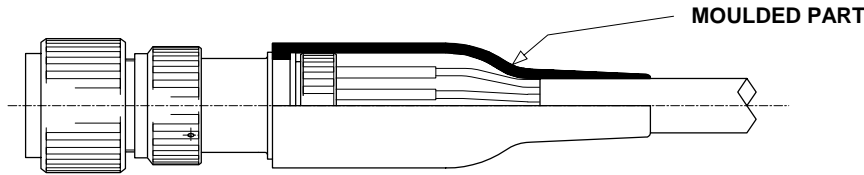
HXS101-S C-00-13-A3-1

- SEQUENTIAL NUMBER _____
- SEE APPLICATIONS FOR MATING CONNECTOR INFORMATION
- MATERIAL CODE: _____
- S = STAINLESS STEEL FRONT NUT ONLY,
ALUMINIUM ALLOY REMAINDER
- PLATING CODE: _____
- C = ELECTROLESS NICKEL TO MIL-C-26074
- BODY STYLE: _____
- 00 = STRAIGHT
- ORDER NUMBER _____
- FERRULE QUANTITY _____
- 1 = PLAIN CLAMPING NUT _____

APPLICATION

- This adaptor is designed to be mounted on the following connectors:

MIL-C-38999 Series III and IV Shell Sizes C or 13
- It is qualified to the Raychem specification RB-114, when installed on metallic Mil-Specification circular connectors only.
- It are designed primarily for open wire bundle installation but is also designed to accept Raychem heat shrink moulded parts where strain relief is required – see illustration.



- Use in conjunction with the ferrules HET-A-***, which are purchased separately. Refer to HET-A-*** S.C.D. for relevant selection details.

<p style="margin-top: 10px;">Wire and Harnessing Products</p>		Raychem Wire and Harnessing Products 300 Constitution Drive Menlo Park, CA 94025 USA	TITLE: <p style="text-align: center;">Special Length HexaShield Adaptor for Code 40 Connector-SS13 Plain Clamping Nut</p>				
UNLESS OTHERWISE SPECIFIED DIMENSIONS ARE IN MILLIMETERS. INCH DIMENSIONS ARE SHOWN IN BRACKETS		This drawing and the information set forth hereon is the property of Tyco Electronics and are to be held in trust and confidence. Publication, duplication, disclosure or use for any other purpose not expressly authorized in writing by Tyco Electronics is prohibited.		DOCUMENT NO. <p style="text-align: center;">HXS101-SC-00-13-A3-1</p>			
DRAWN: IRT	DATE: SEP 00	Tyco Electronics reserves the right to amend this drawing at any time. Users should evaluate the suitability of the product for their application.		FILE-UK: HXS101-US	DCR # & File: R010464	SCALE: NONE	SHEET: 2 OF 3

If this document is printed it becomes uncontrolled. Check for the latest revision.

SPECIFICATION CONTROL DRAWING

REV: N/C	DATE: April 24, 2001
-------------	-------------------------

INSTALLATION


- See Installation Procedure RPIP-696-04.

PACKAGING

- All components are supplied in a plastic bag.

NOTE!

- Assembly is to be permanently marked with Code Identity Number and Part Number.
(e.g. 06090 HXS101-SC-00-13-A3-1)

 Wire and Harnessing Products		Raychem Wire and Harnessing Products 300 Constitution Drive Menlo Park, CA 94025 USA	TITLE: Special Length HexaShield Adaptor for Code 40 Connector-SS13 Plain Clamping Nut				
UNLESS OTHERWISE SPECIFIED DIMENSIONS ARE IN MILLIMETERS. INCH DIMENSIONS ARE SHOWN IN BRACKETS		This drawing and the information set forth hereon is the property of Tyco Electronics and are to be held in trust and confidence. Publication, duplication, disclosure or use for any other purpose not expressly authorized in writing by Tyco Electronics is prohibited.		DOCUMENT NO. HXS101-SC-00-13-A3-1			
DRAWN: IRT	DATE: SEP 00	Tyco Electronics reserves the right to amend this drawing at any time. Users should evaluate the suitability of the product for their application.		FILE-UK: HXS101-US	DCR # & File: R010464	SCALE: NONE	SHEET: 3 OF 3

If this document is printed it becomes uncontrolled. Check for the latest revision.