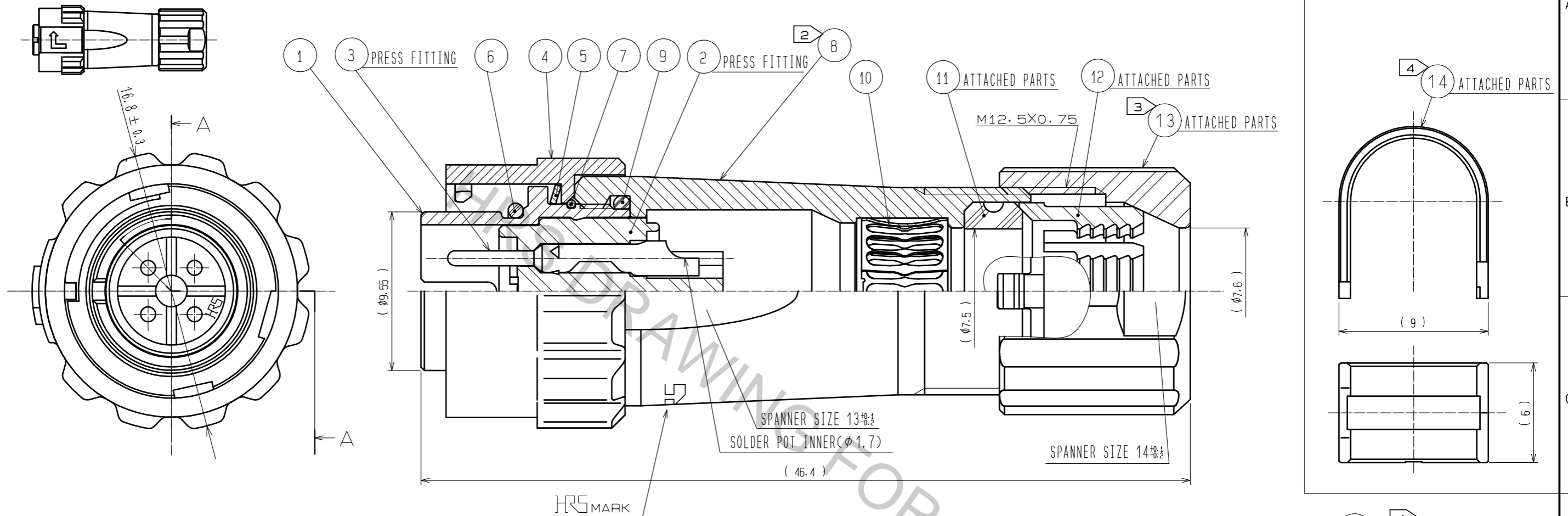


Fig. 2 (1:1)

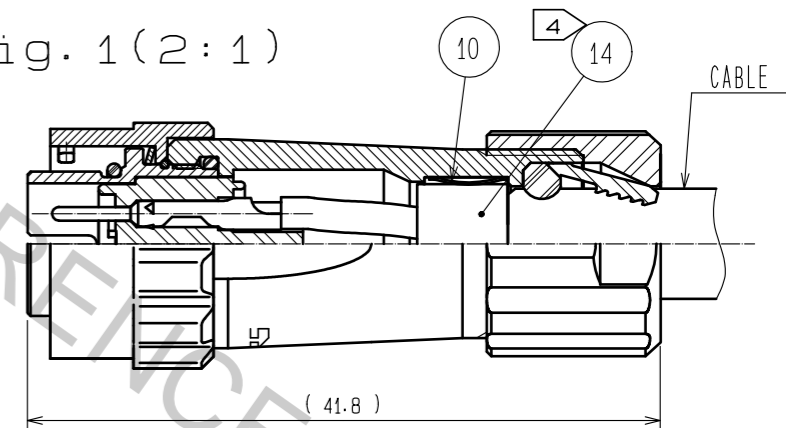
A-A



NOTES

- 1 PLATING(REF.NO.③)
 CONTACT AREA : GOLD 0.2μm min.
 OTHERS : GOLD OR NICKEL
 UNDER PLATING : NICKEL 2μm min.
- 2 THE RECOMMENDED CLAMP TORQUE OF REF.NO.⑧ TO BE 1 TO 1.5N·m.
 THREAD LOCKER TO THE THREADED PORTION OF REF.NO.① IS RECOMMENDED TO PREVENT REF.NO.⑧ FROM LOOSING.
 RECOMMENDED THREAD LOCKER : LOCTITE 263 , HENKEL JAPAN LTD.
- 3 THE RECOMMENDED CLAMP TORQUE OF REF.NO.⑬ TO BE 0.8 TO 1N·m.
 THREAD LOCKER AND LOCK PRIMER TO THE THREADED PORTION M12.5X0.75 OF REF.NO.⑧ IS RECOMMENDED
 TO PREVENT REF.NO.⑬ FROM LOOSING.
 RECOMMENDED THREAD LOCKER AND LOCK PRIMER : LOCTITE 263, LOCK PRIMER 7649, HENKEL JAPAN LTD.
- 4 FASTEN REF.NO.⑭ TO THE CABLE WITH THE CABLE CRIMPING TOOL.
 AND MAKE REF.NO.⑭ CONTACT WITH REF.NO.⑩(REFER TO Fig.1).
 REFER TO THE TECHNICAL SPECIFICATION ETAD-C0099 FOR DETAILS.
 APPLICABLE CABLE CRIMPING TOOL : LF-TC-01 (CL150-0234-6)
- 5 Fig.2 SHOWS THE APPEARANCE AFTER ASSEMBLY.
- 6 APPLICABLE CABLE ASSEMBLY FIXTURE : LF10BP-T01 (CL150-0235-9)
 CABLE ASSEMBLY FIXTURE IS USED AS A RECEPTACLE STAND OF EXTRACT AND THE PART NUMBER ① OF AN ASSEMBLY.
- 7 ROTATION EXAMPLES OF REF.④, ⑧ AND ⑬ TO ① ARE SHOWN.
- 8 THE CABLE PULL, TWISTING STRENGTH, WATERPROOF ABILITY AND OTHER CHARACTERISTICS MAY DIFFER, DEPENDING
 ON THE CABLE STRUCTURE, PLEASE CONFIRM BEFORE THE USE.

Fig. 1 (2:1)



7	STAINLESS STEEL		14	BRASS	NICKEL PLATING
6	CHLOROPRENE RUBBER	(BLACK)	13	PPS	(NATURAL·BROWN) UL94V-0
5	STAINLESS STEEL		12	POLYAMIDE	(NATURAL·MILKY WHITE) UL94V-0
4	ZINC ALLOY	NICKEL PLATING	11	CHLOROPRENE RUBBER	(BLACK)
3	COPPER ALLOY	1	10	PHOSPHOR BRONZE	NICKEL PLATING
2	PPS	(BLACK) UL94V-0	9	CHLOROPRENE RUBBER	(BLACK)
1	ZINC ALLOY	NICKEL PLATING	8	ZINC ALLOY	NICKEL PLATING
NO.	MATERIAL	FINISH . REMARKS	NO.	MATERIAL	FINISH . REMARKS
UNITS mm		SCALE 4 : 1	COUNT		DESCRIPTION OF REVISIONS
DESIGNED		CHECKED		DATE	
APPROVED : HY. KOBAYASHI			18.02.22		
CHECKED : HY. KOBAYASHI			18.02.22		
DESIGNED : TY. SUZUKI			18.02.21		
DRAWN : HM. SAITO			18.02.19		
DRAWING NO.		EDC-117070-31-00			
PART NO.		LF10WBPD-4P(31)			
CODE NO.		CL136-0017-1-31			
				1/1	