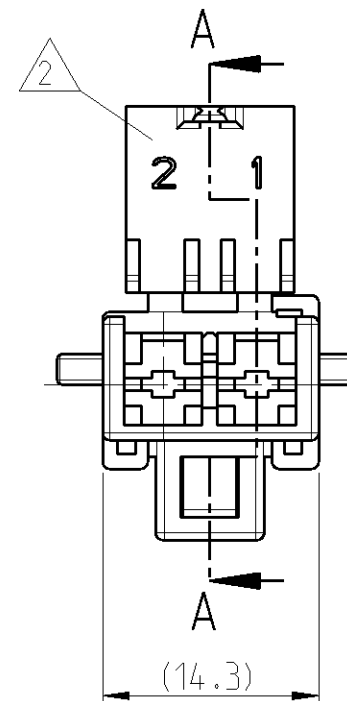
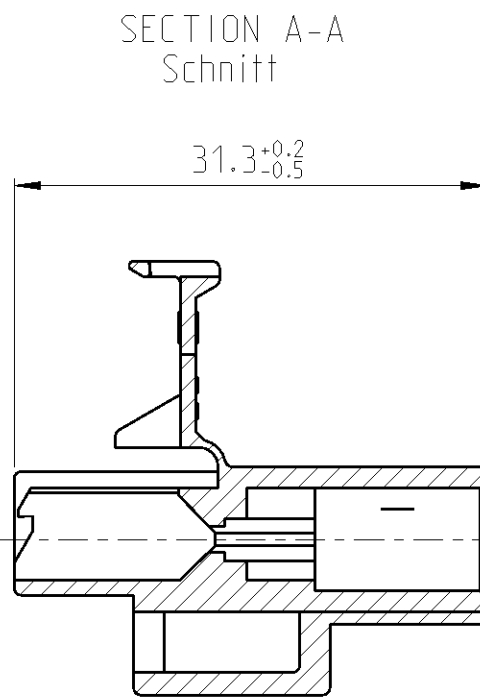
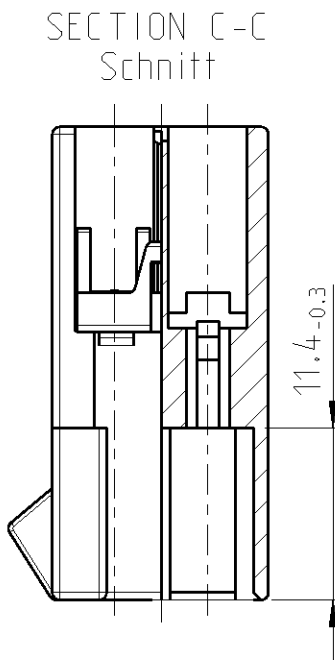
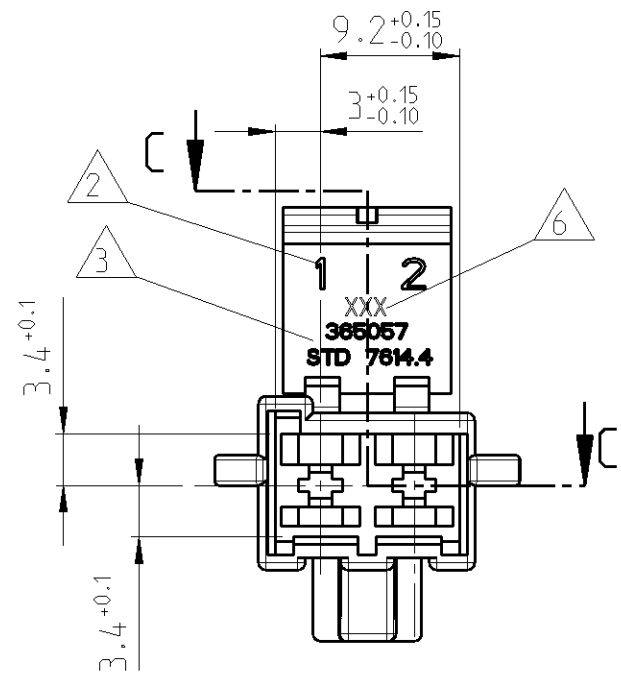


LOC	DIST	REVISIONS			
P	LTR	DESCRIPTION	DATE	DWN	APVD
		E1	TE Logo changed; Note 6 added	30JAN2013	Ho. Schin.



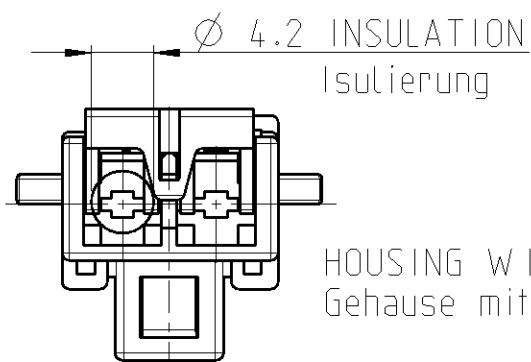
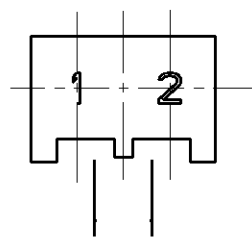
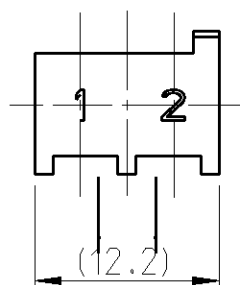
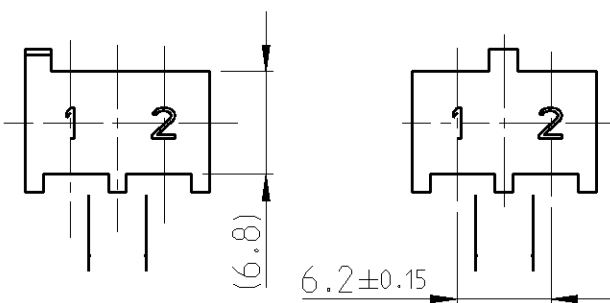
- 1 MATERIAL AND COLORS ARE FREE OF CADMIUM  
Material und Farbbatch muss cadmiumfrei sein
- 2 CHARACTER HEIGHT 2  
Schrifthoehe 2
- 3 CHARACTER HEIGHT 1  
Schrifthoehe 2
- 4 FITTING WITH 365058  
Passend zu 365058
- 5 PARTS MUST BE AIR TIGHT PACKAGED,  
MOISTURE CONTENT MUST BE 2.5±1%  
Teile muessen luftdicht verpackt sein,  
die Feuchte muss 2.5±1% betragen
- 6 LOGO ACC. TO TE SPEC TEC-202-36;  
0.15 RAISED  
Firmenlogo entsprechend TE Spec TEC-202-36;  
0.15 erhaben

CODING 1  
Kodierung

CODING 2  
Kodierung

CODING 3  
Kodierung

CODING 4  
Kodierung



HOUSING WITH CLOSED FLAP  
Gehäuse mit geschlossener Kappe

CODE NO.	PART NUMBER	MATERIAL	COLOUR
CODE 4	365057-4	PA 6.6	YELLOW
CODE 3	365057-3	PA 6.6	BLACK
CODE 2	365057-2	PA 6.6	GREY
CODE 1	365057-1	PA 6.6	NATUR

THIS DRAWING IS A CONTROLLED DOCUMENT.		DWN R. ULLRICH 12APR1985
DIMENSIONS: mm		CHK J.PASCUAL 15JUN1993
TOLERANCES UNLESS OTHERWISE SPECIFIED:		APVD L. BATTLO 15JUN1993
0 PLC	±	PRODUCT SPEC
1 PLC	±	-
2 PLC	±	APPLICATION SPEC
3 PLC	±	-
4 PLC	±	WEIGHT
ANGLES	±°	-
FINISH	-	Customer Drawing
MATERIAL	SEE TABLE	

<b>TE</b> TE Connectivity			
NAME 2 POS. TAB-HOUSING			
SIZE	CAGE CODE	DRAWING NO	RESTRICTED TO
A3	00779	©=365057	-
SCALE 2:1		SHEET 1 OF 1	REV E1