

PART NAME: CASE SCALE: 1:1 DATE: 7/31/63 DR. BY LS

THIS DRAWING IS THE PROPERTY OF DAVIES MOLDING COMPANY, IS SUBMITTED SOLELY AS A DESIGN OR ENGINEERING PROJECT. WE ACCEPT NO RESPONSIBILITY WHATSOEVER FOR THE PRACTICAL APPLICATION OF THE PIECES MADE TO THIS DESIGN.

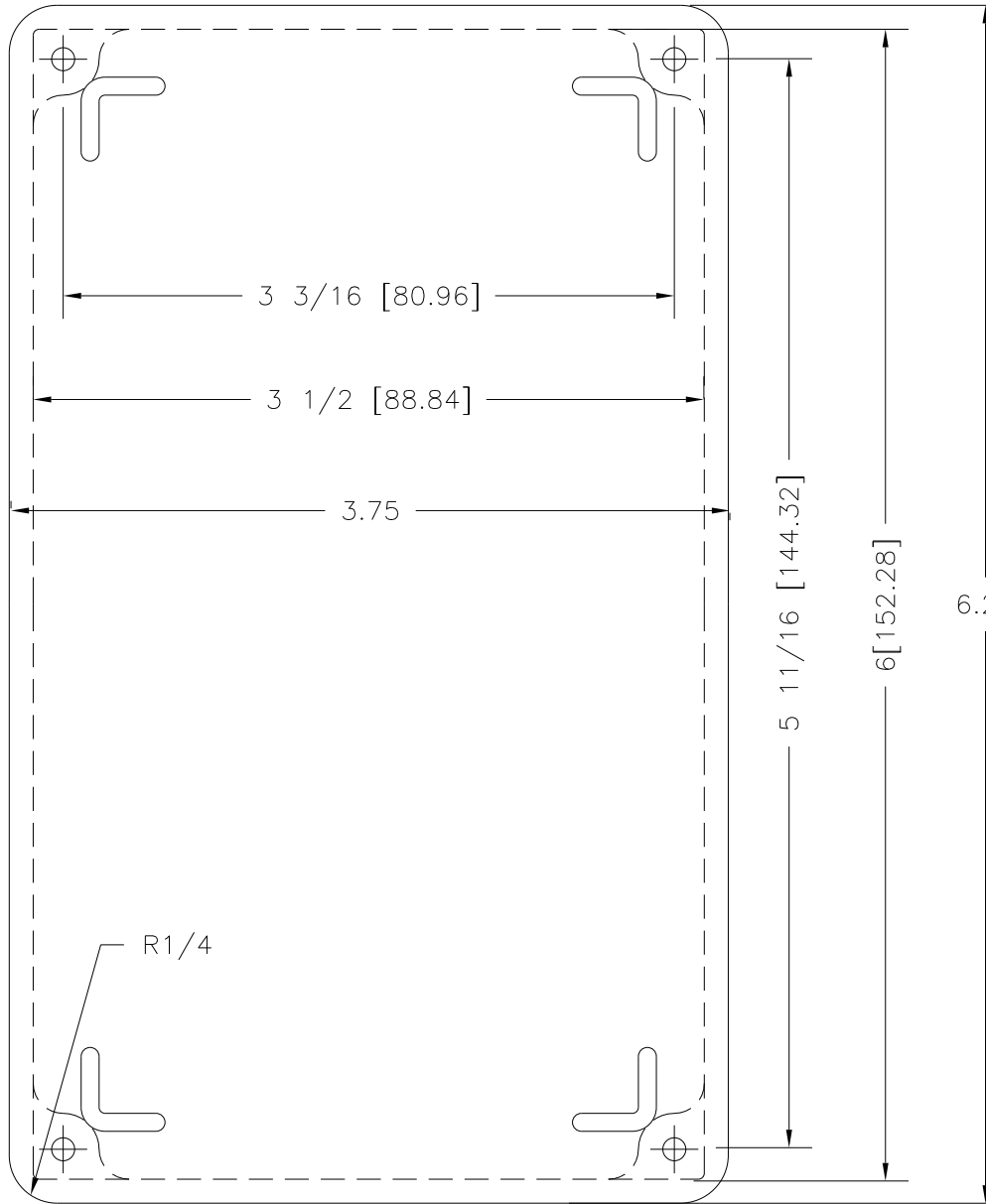


DESIGNERS & MANUFACTURERS OF KNOBS, HANDLES, CASES & CUSTOM PLASTIC COMPONENTS

P/N 0240-B

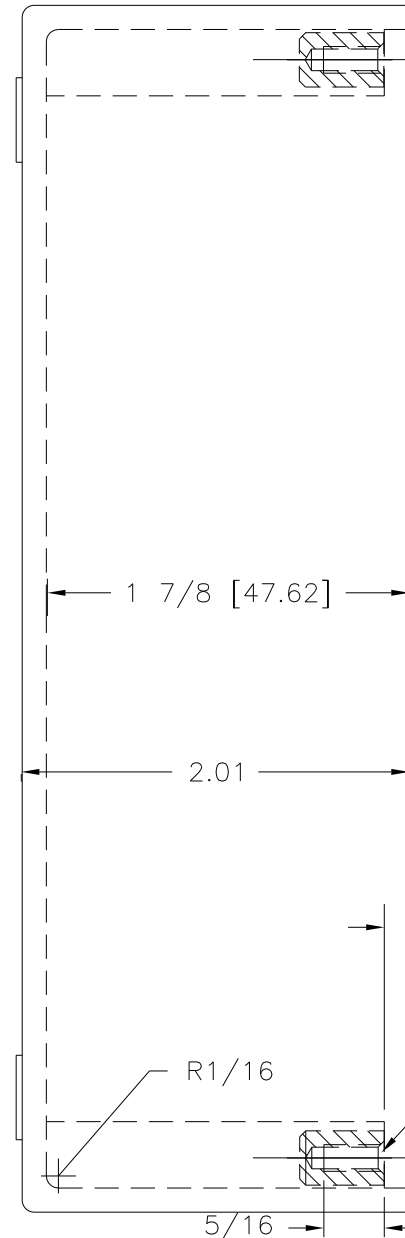
M NO. 0240

PIN	0240
PLUNGER	0240
INSERT	I0183
ALTERNATE SET-UP	
ALT. PLUNG.	5216
ALT. PIN	5216
ALT. INSERT	I0183



CAD/REDRAWN : 11/19/92 : HD

MATERIAL: #4311 PLENCO PHENOLIC (B41)
COLOR: BLACK



1/8
6-32 THD'D.FM.I-183 BRASS.
REQ'D (4)PLS.

TOLERANCES: UNLESS OTHERWISE SPECIFIED	DO NOT SCALE DRAWING			
DECIMALS: X.XXX ± .005 X.XX ± .015	MM: X.XX ± 0.15MM X.X ± 0.4MM			
FRACTIONS ± 1/64	ANG. ± 1°	CHANGES		