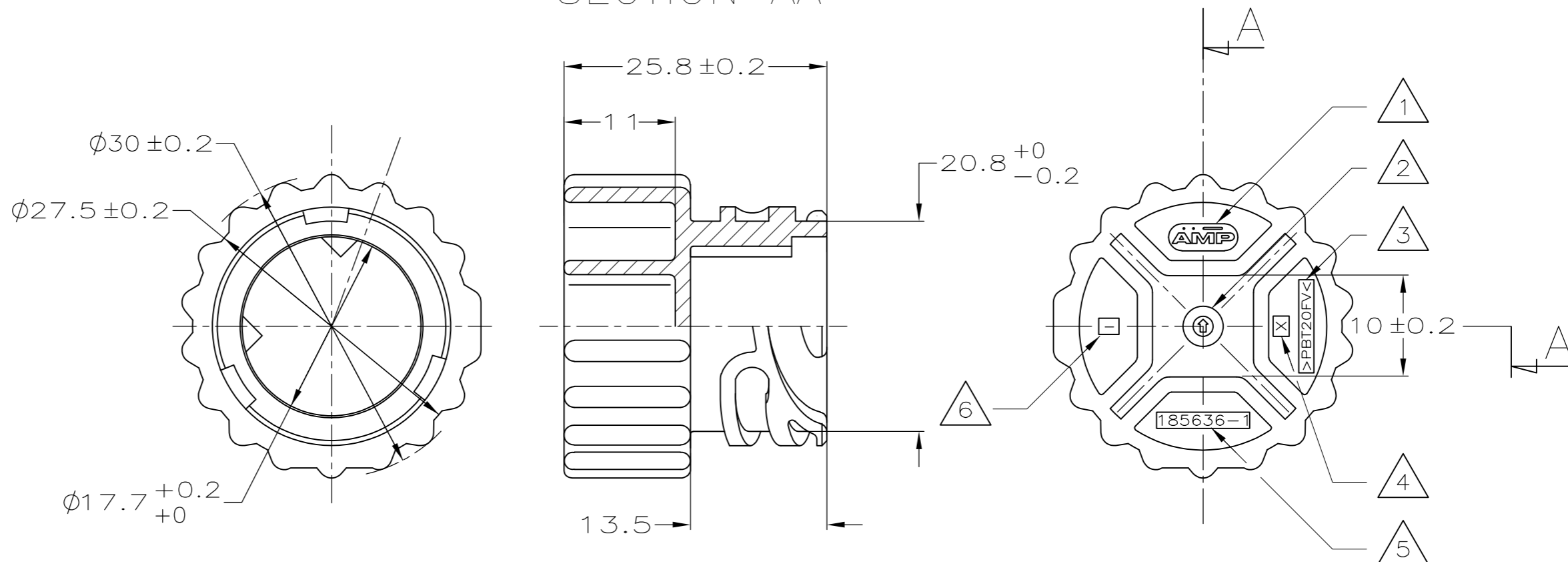


P	LTR REV	DESCRIPTION MODIFICATIONS	DATE	DWN DESS.	APVD APP.
	A	UPDATE OF RING DESIGN	14-JAN-97	RB	-
	B	ADD ENGLISH TRANSLATION	18JAN2011	CS	JPP

SECTION AA  
SECTION AA



NOTES

- 1 MARQUAGE LOGO  
LOGO MARKING
- 2 DATEUR  
DATE CODE
- 3 MARQUAGE MATIERE  
MATERIEL MARKING
- 4 REPERE D'EMPREINTE  
CAVITY NUMBER
- 5 MARQUAGE REF. TE  
PART NUMBER MARKING
- 6 INDICE DE REVISION PRODUIT  
PART REVISION CODE

<small>THIS DRAWING IS A CONTROLLED DOCUMENT FOR AMP INCORPORATED. IT IS SUBJECT TO CHANGE AND THE CONTROLLING ENGINEERING ORGANIZATION SHOULD BE CONTACTED FOR THE LATEST REVISION. CE PLAN EST UN DOCUMENT CONTROLE PAR AMP INCORPORATED. IL EST SUSCEPTIBLE D'ETRE REVISE. CONTACTER LE SERVICE TECHNIQUE D'AMP DE FRANCE POUR OBTENIR LA DERNIERE REVISION.</small>		DWN/DESSINE 11-MAR-96 D.BENOIT CHK/VERIFIE 05-FEB-97 R.BONNET APVD/APPROUVE 05-FEB-97 J.J.REVIL PRODUCT SPEC SPEC. PRODUIT APPLICATION SPEC SPEC. APPLICATION WEIGHT MASSE APPROX. -	Tyco Electronics Tyco Electronics France SAS 95300 Pontoise, France NAME TITRE OBTURATEUR DE PORTE-DOUILLE DIA2.5MM OBTURATOR OF CARRY-CASING DIA2.5MM SIZE FORMAT A3 CAGE CODE 00779 DRAWING NO No PLAN C=185636
DIMENSIONS: mm 	TOLERANCES UNLESS OTHERWISE SPECIFIED: TOLERANCES NON SPECIFIEES (SUIV NB DE DECIMALES): 0-PLC/DEC ± 1-PLC/DEC ±0.3 2-PLC/DEC ± 3-PLC/DEC ± 4-PLC/DEC ± ANGLES ±5° FINISH NOIR FINITION BLACK	MATERIAL PBT 20 FV MATIERE	CUSTOMER DRAWING/PLAN CLIENT UNIQUEMENT POUR REFERENCE SCALE ECHELLE 2:1 SHEET FEUILLE 1 OF 1 DE 1 REV B