

# Common Mode Filter

ACMF-21B



RoHS  
Compliant



2.0 x 1.2 x 0.9mm

## FEATURES:

- Effective for suppressing common mode noise at high frequency
- Excellent solderability
- Compact design

## APPLICATIONS:

- Common mode noise suppression of differential signal lines in high speed and high-density digital equipments such as USB 2.0, IEEE1394, LVDS, Digital Camera, Scanner, etc.
- Digital audio and video equipments such as PDA, DSC, DVC, CD Player, DVD Player, etc.

## ELECTRICAL SPECIFICATIONS:

**Operating Temperature:** -40°C to +85°C

**Storage Temperature:** -10°C to +40°C, 70% RH max

Parameters	Minimum	Typical	Maximum	Units	Notes
Center Frequency	-----	480.0	-----	MHz	
Common Mode Attenuation	9	-----	-----	dB	@130MHz ~ 1GHz
	14	-----	-----	dB	@240MHz ~ 1GHz
Differential Mode Insertion Loss	-----	-----	0.6	dB	@240MHz
DC Resistance	-----	-----	1.6	Ω	
Rated Current	-----	-----	200	mA	
Characteristic Impedance	90			Ω	

Unless otherwise specified, the standard atmospheric conditions for measurement/test as:

- Ambient Temperature: 20±15°C
- Relative Humidity: 65%±20%
- Air Pressure: 86 KPa to 106 KPa

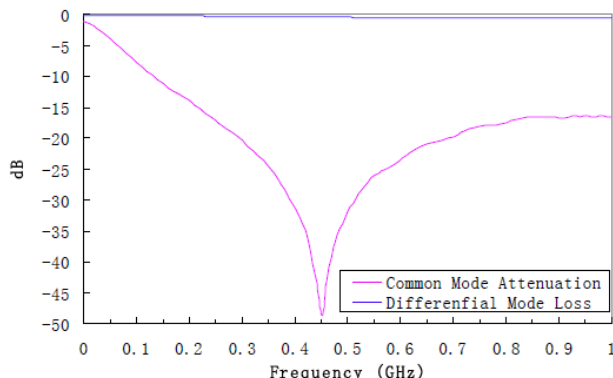
### Visual Examination

- Inspection Equipment: 20X magnifier

### Electrical Test

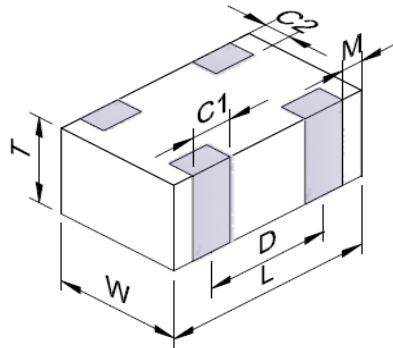
- Impedance Analyzer: HP4991A.
- Network Analyzer: HP8719ES.

## ELECTRICAL PROPERTIES



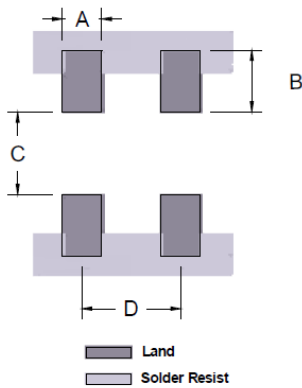


## OUTLINE DRAWING:

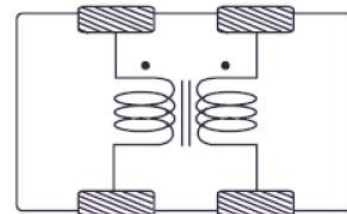


L	W	T	C1	C2	D	M
2.0±0.2	1.2±0.2	0.9±0.1	0.4±0.2	0.25±0.15	1.2±0.1	0.2±0.1

### Recommended Land Pattern



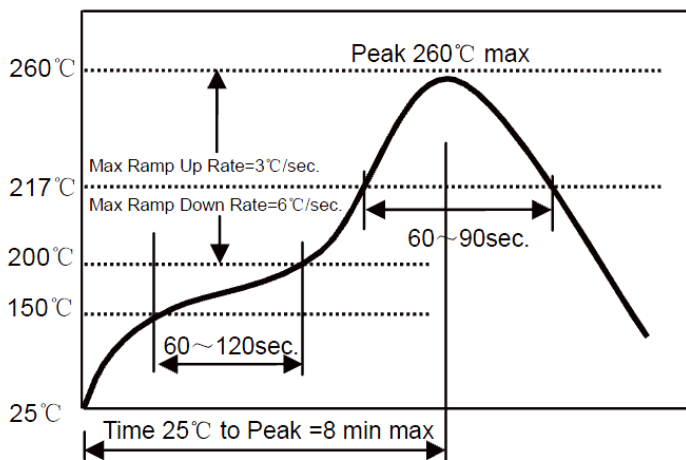
### Equivalent Circuit



A	B	C	D
0.4	0.6	0.8	1.0

Dimension: mm

## REFLOW PROFILE:



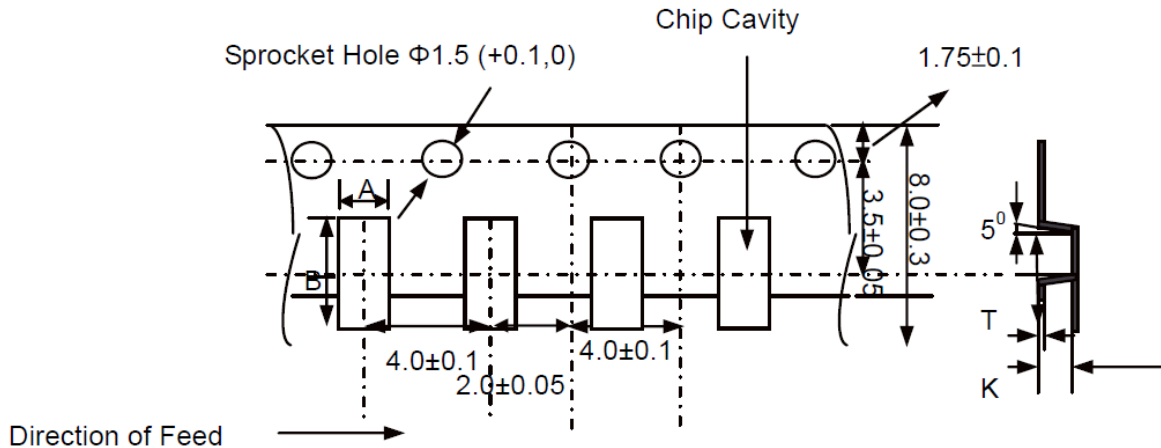
- Preheat condition: 150 ~200°C/60~120sec.
- Allowed time above 217 °C: 60~90sec.
- Max temp: 260 °C
- Max time at max temp: 10sec.
- Solder paste: Sn/3.0Ag/0.5Cu
- Allowed Reflow time: 2x max



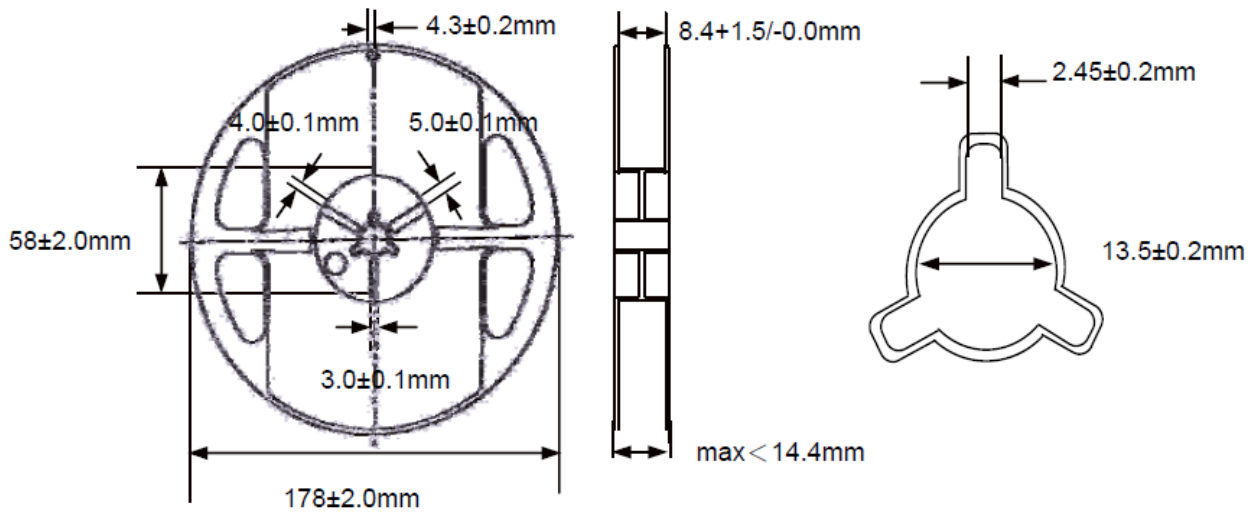


TAPE & REEL:

T= tape and reel (4,000pcs/reel)



A	B	K max	T max
1.42±0.10	2.25±0.10	1.14	0.27



Dimension: mm

**ATTENTION:** Abracon Corporation's products are COTS – Commercial-Off-The-Shelf products; suitable for Commercial, Industrial and, where designated, Automotive Applications. Abracon's products are not specifically designed for Military, Aviation, Aerospace, Life-dependant Medical applications or any application requiring high reliability where component failure could result in loss of life and/or property. For applications requiring high reliability and/or presenting an extreme operating environment, written consent and authorization from Abracon Corporation is required. Please contact Abracon Corporation for more information.

