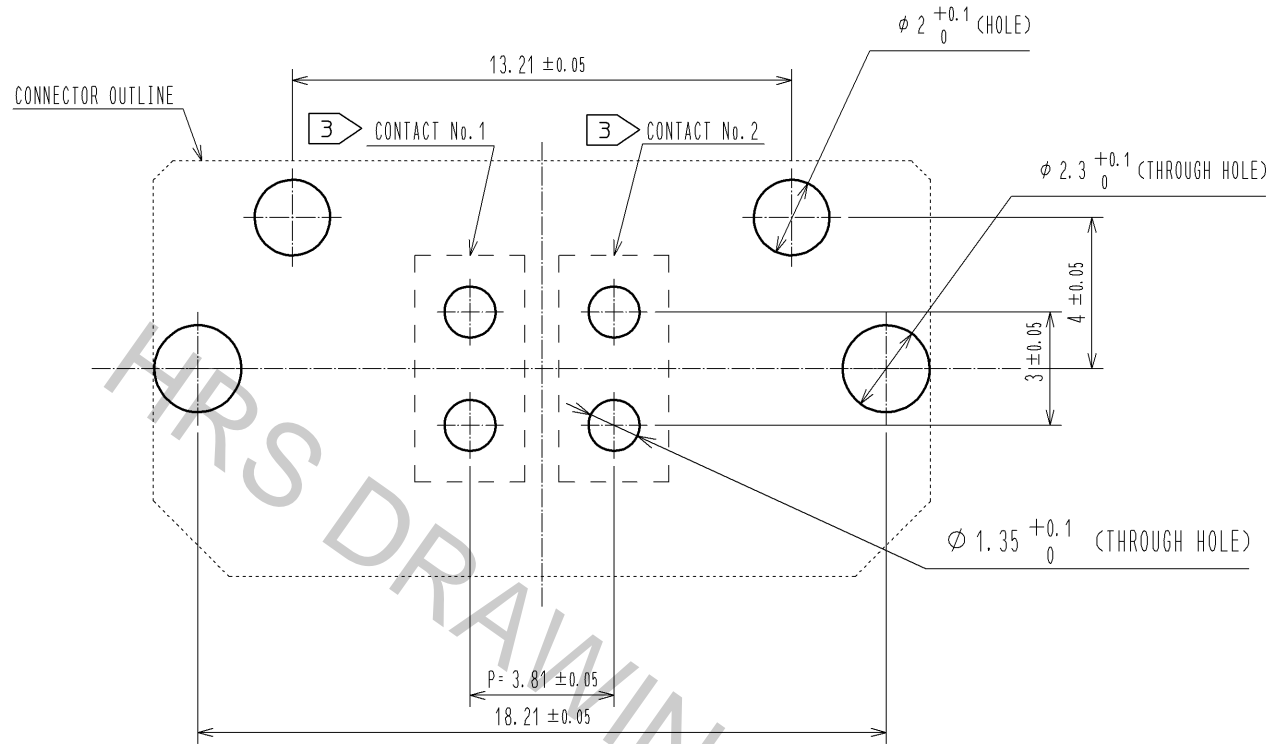


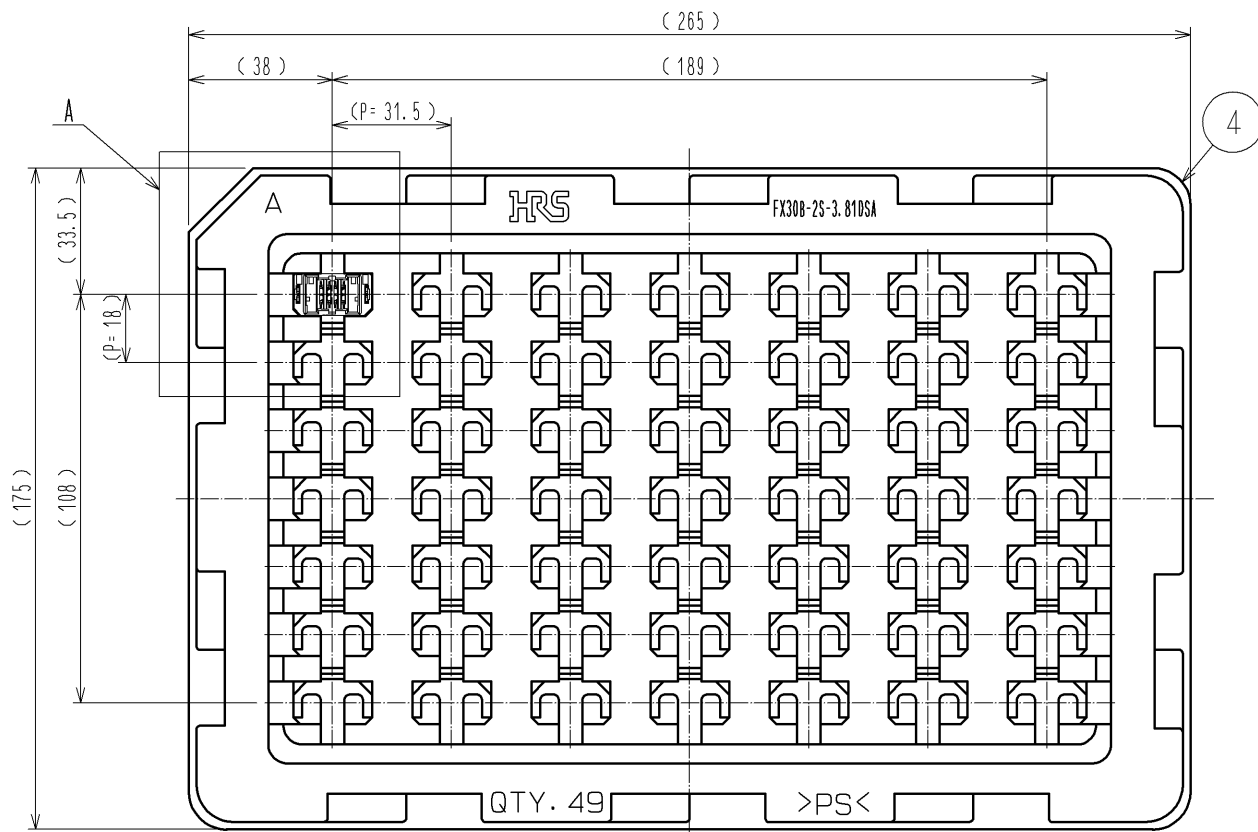
- NOTE
- 1 THIS PRODUCT IS PACKAGED IN TRAY. (49pcs/TRAY)
 - 2 BLEMISH AND HIT MARK CAN BE OCCURED THROUGH OUT THE MANUFACTURING PROCESS WHICH DOESN'T AFFECT QUALITY LEVEL. ALSO, BLACK SPOT COULD BE OBSERVED ON THE SURFACE OF HOUSING.
 - 3 FOR THE CONTACT NO., ADJACENT TWO PAIRS OF LEADS PLACED BACK-TO-BACK (4 LEADS IN TOTAL) COMPOSE ONE LINE.
 - 4 MISALIGNMENT ABSORBING RANGE: ± 0.3 mm max.
 - 5 THE DIMENSION IN PARENTHESES ARE FOR REFERENCES.
 - 6 LOT NO. IS INDICATED AT EITHER ONE OF THE POSITION AS SHOWN.

2	COPPER ALLOY	CONTACT AREA:GOLD-PLATING $0.1 \mu\text{m}$	4	POLYSTYRENE				
		LEAD AREA:TIN-PLATING $1.0 \mu\text{m}$						
		UNDER PLATING:NICKEL $1.0 \mu\text{m}$						
1	POLYAMIDE	BLACK UL94V-0	3	PHOSPHOR BRONZE	TIN-PLATING $3.0 \mu\text{m}$			
						UNDER PLATING:NICKEL $1.0 \mu\text{m}$		
NO.	MATERIAL	FINISH . REMARKS	NO.	MATERIAL	FINISH . REMARKS			
UNITS mm		SCALE 2 : 1	COUNT Δ	DESCRIPTION OF REVISIONS		DESIGNED	CHECKED	DATE
HRS HIROSE ELECTRIC CO., LTD.		APPROVED : HS. OKAWA	13.03.07	DRAWING NO. EDC3-347272-00				
		CHECED : KI. HIROKAWA	13.03.07	PART NO. FX30B-2S-3.81DSA				
		DESIGNED : DK. AIMOTO	13.03.07	CODE NO. CL570-3500-1-00				
		DRAWN : DK. AIMOTO	13.03.07					

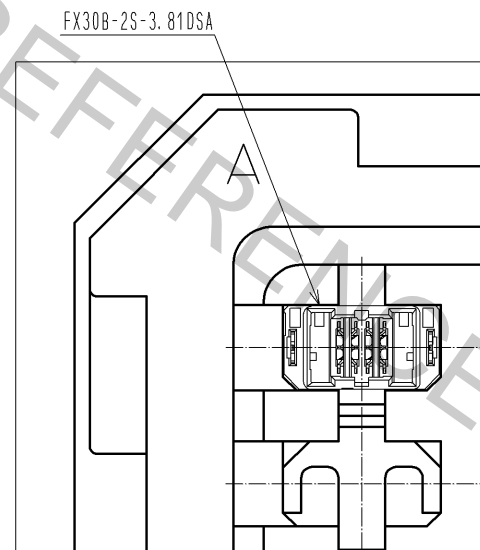
RECOMMENDED HOLE PATTERN DIMENSION OF PCB(5:1)
 (CONNECTOR MOUNTING SIDE, PCB THICKNESS:t=1.6mm)



1 DRAWING FOR PACKAGING(1:2)



A(1:1)



HRS	DRAWING NO.	EDC3-347272-00	△ 2/2
	PART NO.	FX30B-2S-3.81DSA	
	CODE NO.	CL570-3500-1-00	