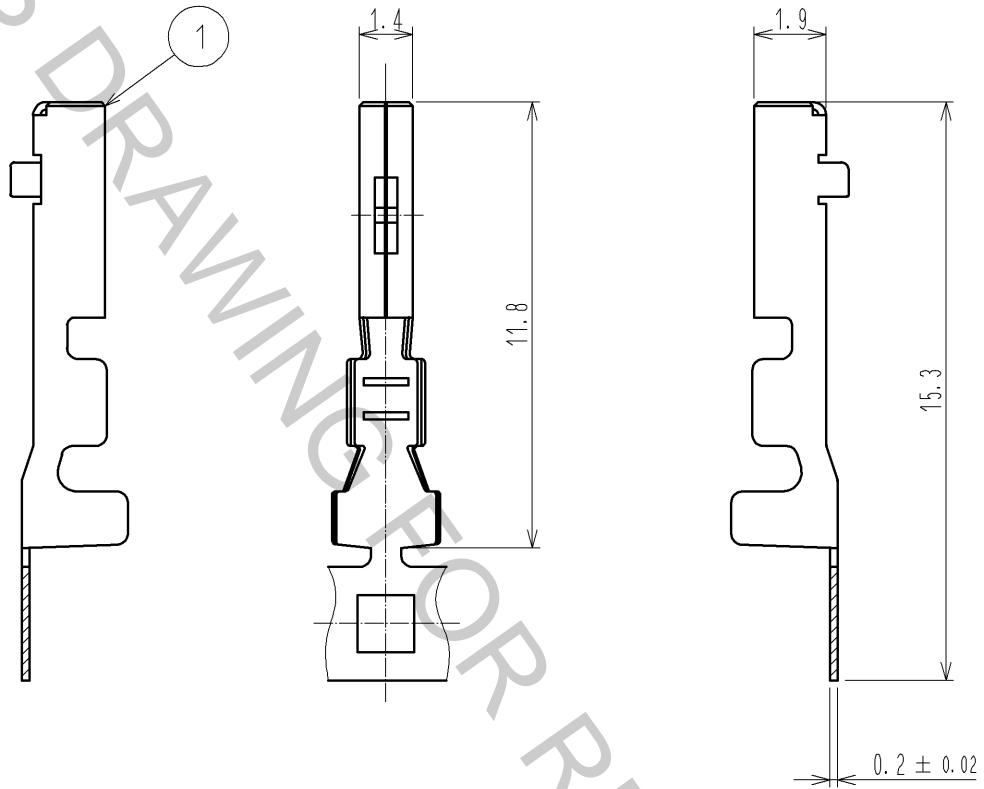


ELV, RoHS COMPLIANT



Note1. 10,000 PCS/RL

1	COPPER ALLOY	TIN PLATED						
NO.	MATERIAL	FINISH	REMARKS	NO.	MATERIAL	FINISH	REMARKS	
UNITS mm			SCALE 5 : 1		DESCRIPTION OF REVISIONS	DESIGNED	CHECKED	DATE
HIROSE ELECTRIC CO., LTD.	APPROVED	: AR. SHIRAI	12.08.28	DRAWING NO.	EDC4-166303-01			
	CHECKED	: TK. SHISHIKURA	12.08.28	PART NO.	GT25-2024SCF			
	DESIGNED	: Chinoik. Ng	12.08.27	CODE NO.	CL775-0002-6-00			
	DRAWN	: Chinoik. Ng	12.08.27		1/1			