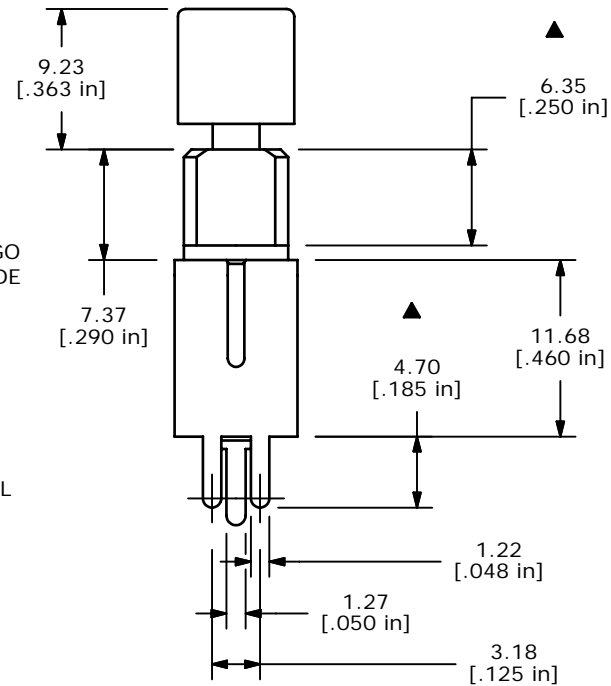
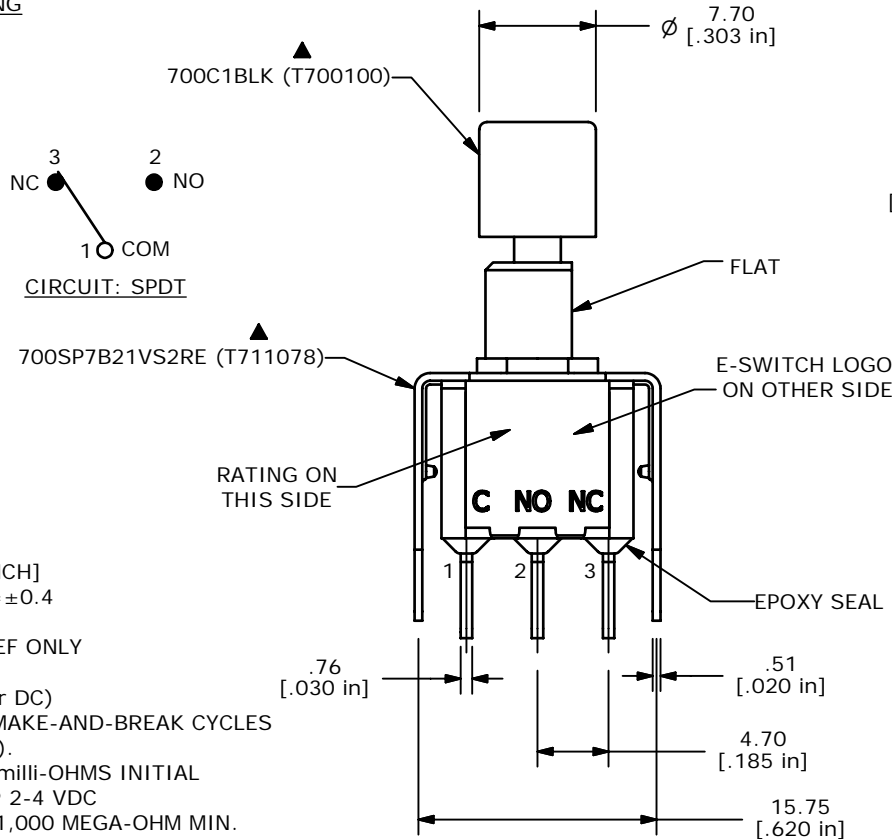


| SWITCH FUNCTION | |
|-----------------|--------|
| POS. 1 | POS. 2 |
| | |
| ON | (ON) |
| 1-3 | 1-2 |

(ON)=MOMENTARY



NOTE:

1. ALL DIMENSIONS IN MM [INCH]
2. GENERAL TOLERANCE: X.X=±0.4
X.XX=±0.25
3. TERMINAL NUMBERS FOR REF ONLY
- ▲ 4. CONTACT MATERIAL: GOLD
5. RATING: 0.4 A @ 20V (AC or DC)
6. LIFE EXPECTANCY: 50,000 MAKE-AND-BREAK CYCLES AT FULL LOAD (min).
7. CONTACT RESISTANCE: 20 milli-OHMS INITIAL @ 2-4 VDC
8. INSULATION RESISTANCE: 1,000 MEGA-OHM MIN.
9. DIELECTRIC STRENGTH: 1,000 V RMS @ SEA LEVEL.
11. TRAVEL: 1.20mm TYP.
10. OPERATING TEMP.: -30°C to 85°C
11. ▲ DENOTES CRITICAL PARAMETER.
12. 2002/95/EC (ROHS) COMPLIANT.



| | | | | |
|-----|--------|------------------------|--------|-----|
| A | 18471 | RELEASE FOR PRODUCTION | 4/8/09 | BLR |
| REV | PCR NO | DESCRIPTION | DATE | BY |

| | | | | |
|---------------------------|----------|-----|---------|-----|
| TITLE 700SP7B21VS2REC1BLK | | | | |
| SCALE | DATE | DR | DWG | REV |
| 2:1 | 4/8/2009 | BLR | XT0151P | A |

THE INFORMATION CONTAINED IN THIS DOCUMENT IS PROPRIETARY TO E-SWITCH AND IS NOT TO BE COPIED OR TRANSFERRED