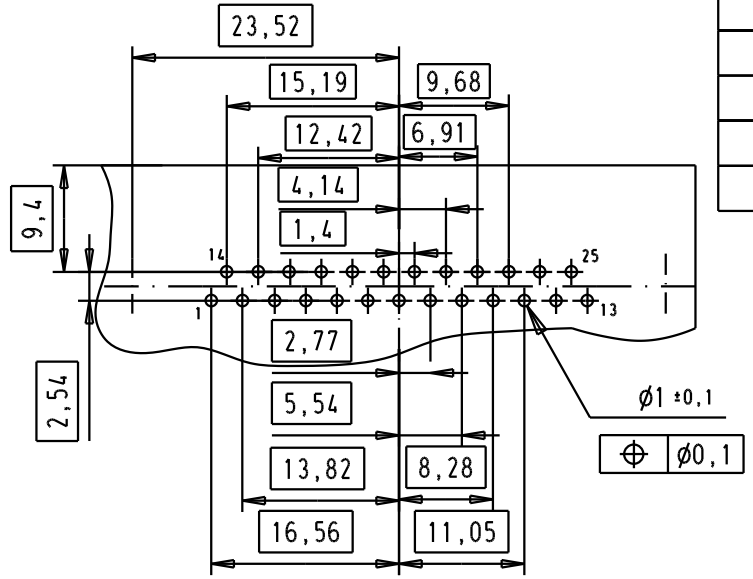
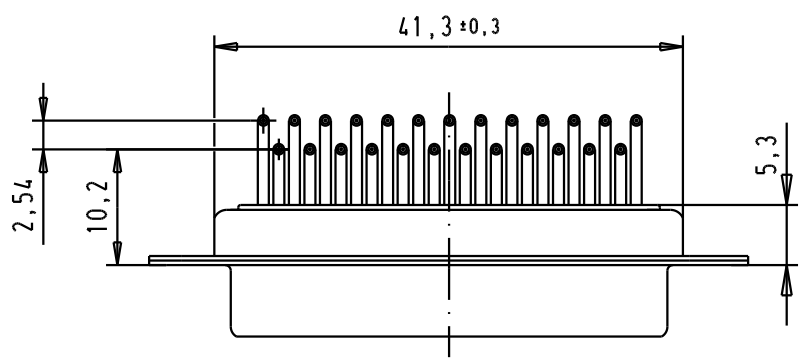


**SPECIFICATION**

Mating Cycles	500
Filter type	C
Capacitance	1000pf ± 20%
Working Voltage	100v
Current Rating	7.5A
Insulation Resistance	>1GΩ

FREQUENCY (MHz)	ATTENUATION dB
5	1dB
10	3dB
50	12dB
100	20dB
500	34dB
1000	30dB

PCB Layout, Component side



Detail.	8-JUL-02	CV				
Insp.						
Stand.						
33416	19/01/06	JMDR	HARTING EURL F-95972 Paris			
31058	8-JUL-02	CV				
Mod.	Dat.	Name				

D-Sub, female, angled, 25 Poles, turned solder pin, tin plated shell and holes	Me?Ms Lab/ Scale
	1.5:1
TB 09643147230	Blat/ Page
Sub.	1/1

D  
C  
B  
B  
A