

## Patch cable - VS-RJ45-RJ45-94P-2,0 - 1418109

Please be informed that the data shown in this PDF Document is generated from our Online Catalog. Please find the complete data in the user's documentation. Our General Terms of Use for Downloads are valid (<http://download.phoenixcontact.com>)



Patch cable, CAT5e, 4-pair, shielded, line, assembled at both ends with straight RJ45/IP20 heads, length: 2 m

### Key commercial data

Packing unit	0
Minimum order quantity	1
Catalog page	Page 318 (PC-2011)
GTIN	 4 046356 534345
Custom tariff number	85444210
Country of origin	CHINA

### Technical data

#### Mechanical characteristics

Number of positions	8
Shielded	Yes
Type of cable	Round cable
Cable structure	4x2xAWG26/7; S-UTP
Smallest bending radius, fixed installation	min. 32 mm
Smallest bending radius, movable installation	min. 32 mm
Length of cable	2 m
Ambient temperature (operation)	-10 °C ... 50 °C (Flexibly installed)
Ambient temperature (operation)	-25 °C ... 60 °C (fixed routing)

#### Material data

Outer sheath, material	PUR
External sheath, color	water blue RAL 5021
Degree of protection	IP20

#### Electrical characteristics

Number of positions	8
Transmission characteristics (category)	CAT5 (IEC 11801:2002), CAT5e (TIA 568B:2001)

## Patch cable - VS-RJ45-RJ45-94P-2,0 - 1418109

### Classifications

#### eclass

eCl@ss 4.0	27250591
eCl@ss 4.1	27240409
eCl@ss 5.0	27259207
eCl@ss 5.1	27061801
eCl@ss 6.0	19170107
eCl@ss 7.0	19170112

#### etim

ETIM 2.0	EC001262
ETIM 3.0	EC001262
ETIM 4.0	EC000830

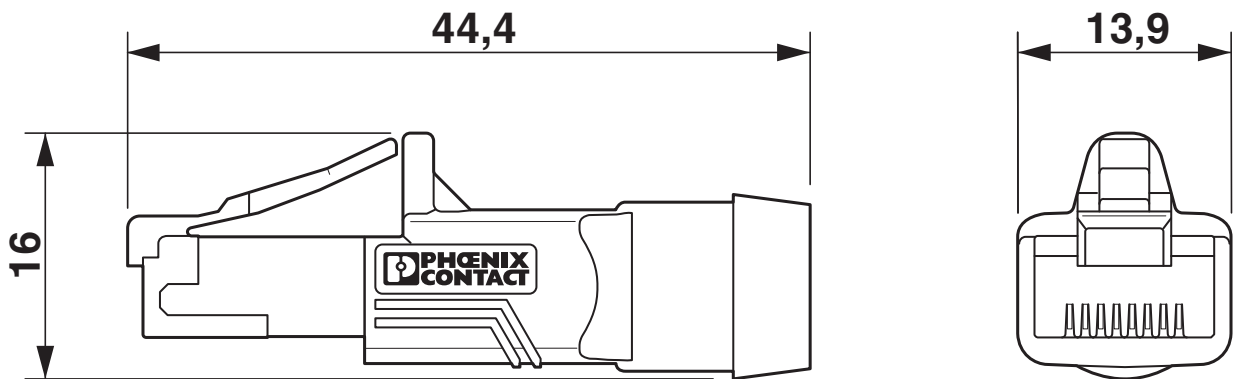
#### unspsc

UNSPSC 6.01	26121609
UNSPSC 7.0901	26121609
UNSPSC 11	26121609
UNSPSC 12.01	26121609
UNSPSC 13.2	26121609

### Drawings

# Patch cable - VS-RJ45-RJ45-94P-2,0 - 1418109

Dimensioned drawing



# Patch cable - VS-RJ45-RJ45-94P-2,0 - 1418109

Circuit diagram

