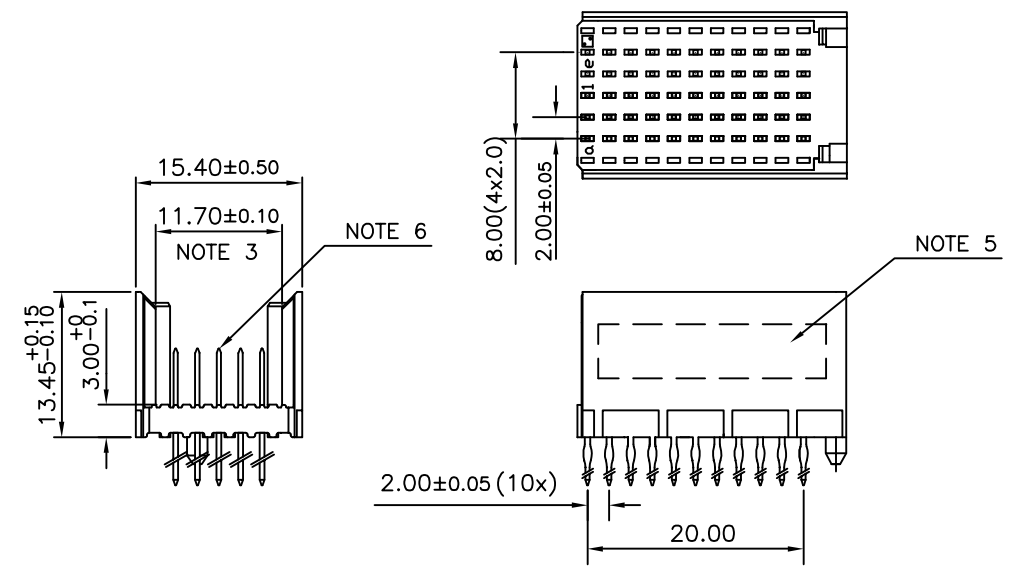


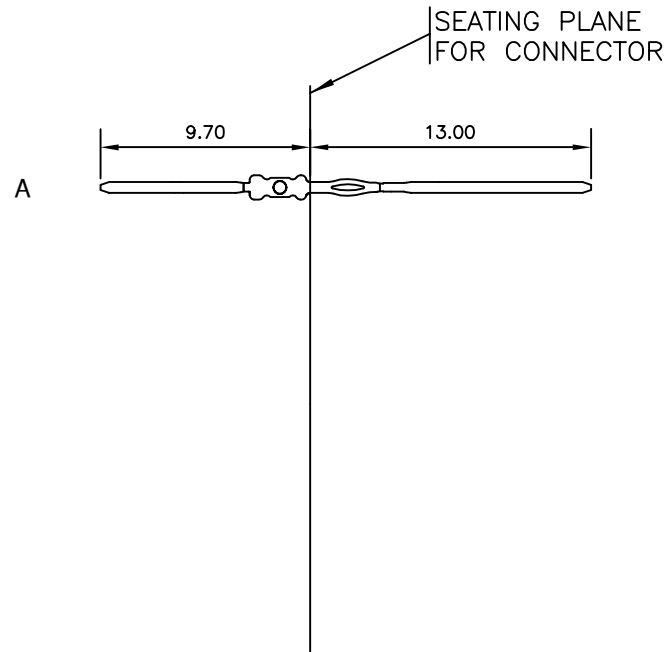
LOADING PATTERN MATING SIDE

f	0	0	0	0	0	0	0	0	0	0
e	A	A	A	A	A	A	A	A	A	A
d	A	A	A	A	A	A	A	A	A	A
c	A	A	A	A	A	A	A	A	A	A
b	A	A	A	A	A	A	A	A	A	A
a	A	A	A	A	A	A	A	A	A	A
z	0	0	0	0	0	0	0	0	0	0
POS	01				05					10

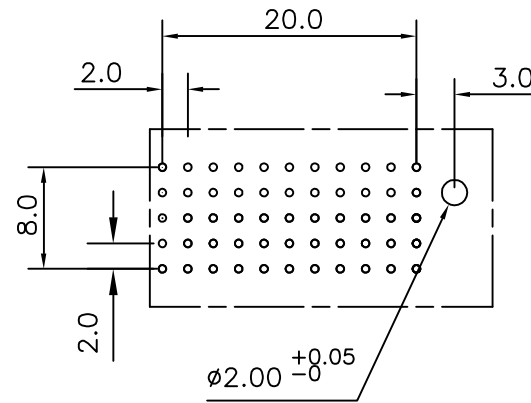
LOADED CONNECTOR ASSEMBLY
(FOR EXAMPLE)



CONTACT OVERVIEW



LAY-OUT P.C.B.-HOLE



HM2P09PKE120 LEAD FREE INDICATOR : LF = LEAD FREE (DIGIT 15 & 16)
PLATING CODE (DIGIT 13 AND 14)
(REF DRW NO. BS,C , 201844 , 003)

NOTES

- THIS PRODUCT IS CSA APPROVED.
 - THIS PRODUCT IS UL RECOGNIZED.
 - MEASURED AT THE BOTTOM.
 - MATERIAL CONTACT: PHOSPHORBRONZE
HOUSING: CREAM WHITE GLASS FILLED POLYESTER UL-94V0
 - CONNECTOR PRINTED WITH P/N AND DATE CODE.
 - FOR ACTUAL CONTACT LOADINGS, SEE LOADING PATTERN MATING SIDE.
 - SHAPE OF CONNECTOR HOUSING CAN ALTER DEPENDING ON PRODUCTION LOCATION
 - THE PRODUCT (LF) MEETS EUROPEAN UNION DIRECTIVES AND OTHER COUNTRY REGULATIONS AS DESCRIBED IN GS-22-008
 - FOR RECOMMENDED PTH DIMENSIONS REFER DRAWING : BS, A , 201572 , 001
- CATALOG NO: HM2P09PKE120----

mat'l. code SEE NOTE 4				surface ISO 1302 ✓	tolerance ISO 406 ISO 1101	projection 	product family MILLIPACS			
ltr	ecn no	dr	date	tolerances unless otherwise specified		MM 	title MPACS 5+2R STR HDR PF CONN TYPE C			
A	104-0003	MINI	2004/01/27	angles	linear					
B	105-0187	MINI	2005/10/08	0°±1°						
C	106-0090	MINI	2006/06/26	dr	MINI K VANDANATH	2004/01/27	dwg no		sheet 1 of 1	size
				engr	BIJU K PAUL	2004/01/27	BS, C ,203028, 107		A3	
				chr	BIJU K PAUL	2006/06/26	type		Product Customer	Drawing
				appd	BIJU K PAUL	2006/06/26				
sheet index	revision sheet	C	1							



FCIconnect.com

Copyright FCI