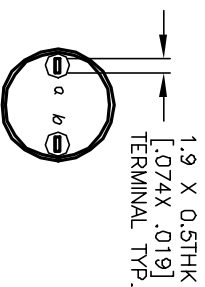
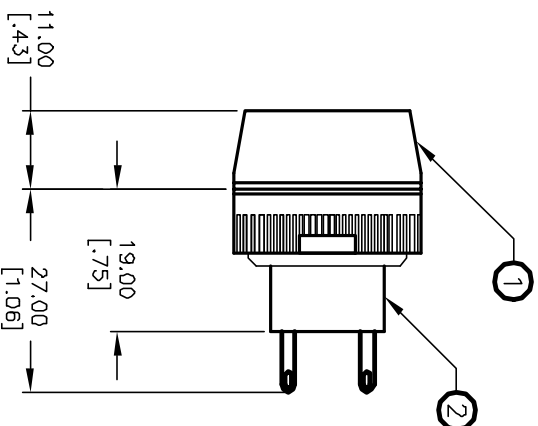
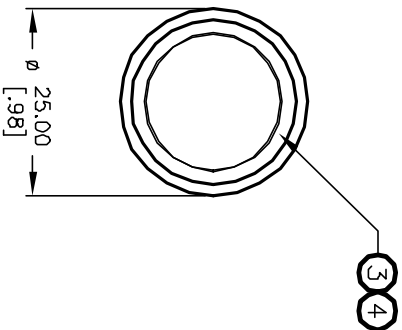


RECOMMENDED PANEL MOUNTING

a-L-b (+)

PILOT INDICATOR



REAR VIEW
ROTATED FOR
CLARITY
ONLY

- NOTES:
1. ALL DIMENSIONS IN MM [INCH]
 2. GENERAL TOLERANCE: X.X=±0.4
X.XX=±0.25
 3. RATINGS: 5A@250V AC,
8A@125V AC
 4. CONTACT MATERIAL: COPPER ALLOY W/Gold Plating
 5. MECHANICAL LIFE: >100,000 Cycles
 6. ELECTRICAL LIFE: >50,000 Cycles
 7. INSULATION RESISTANCE: >1000 MΩ
 8. OPERATING TEMP: -20°C to 55°C
 9. LAMP VOLTAGE: 6VDC (L.E.D.)

| PARTS LIST | | | Part No. |
|------------|------|----------|-----------------------------|
| Item | Qty. | Dwg. No. | |
| 1 | 1 | F051702 | 25mm RING FOR LA SERIES |
| 2 | 1 | F060600 | LAPLV10 |
| 3 | 1 | F050416 | 50-004-16 GRN L.E.D. |
| 4 | 1 | F061254 | 25mm GRN LENS (TRANSPARENT) |

E-SWITCH®

LAP PLV10 H GRN GRN (TRANSPARENT LENS)

| REV. | ECN No. | DESCRIPTION | DATE | CHKD |
|------|---------|-------------------------|----------|------|
| A | 12488 | RELEASED FOR PRODUCTION | 10/16/02 | CJB |

| TITLE | SCALE | DATE | DR | DWG | REV |
|--|-------|----------|-----|---------|-----|
| LAP PLV10 H GRN GRN (TRANSPARENT LENS) | 1:1 | 10/16/02 | CJB | XF0521P | A |

THE INFORMATION CONTAINED IN THIS DOCUMENT IS PROPRIETARY TO E-SWITCH AND IS NOT TO BE COPIED OR TRANSMITTED