

4

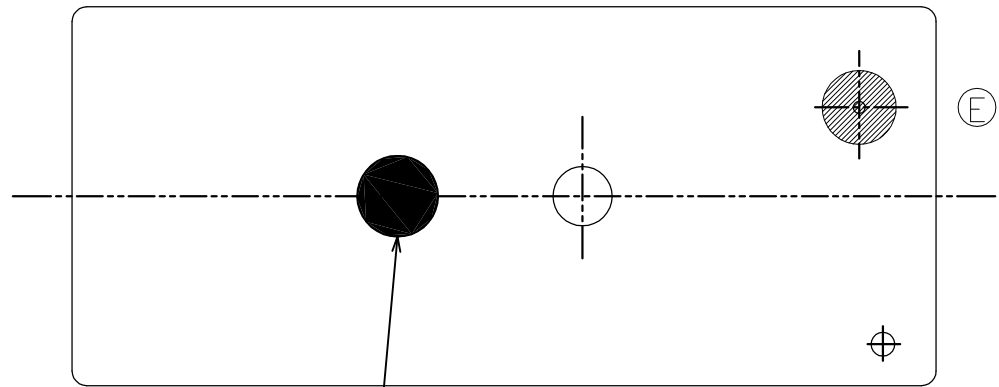
3

2

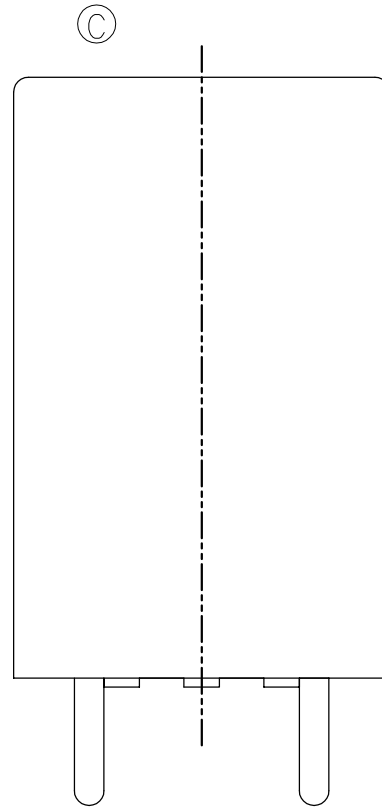
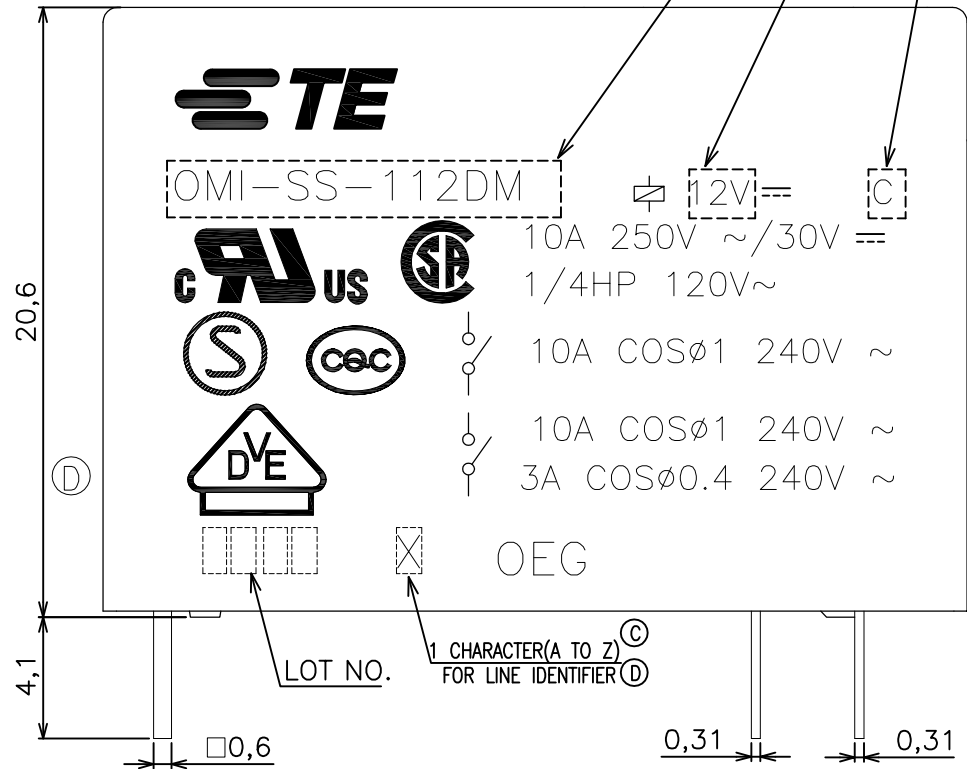
1

THIS DRAWING IS UNPUBLISHED. RELEASED FOR PUBLICATION  
 © COPYRIGHT - By - ALL RIGHTS RESERVED.

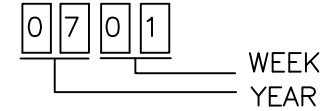
LOC		DIST		REVISIONS			
P	LTR	DESCRIPTION		DATE	DWN	APVD	
HB	-	D		CHANGE LOGO, ADD CQC, LINE IDENTIFIER AND PLATING THICKNESS ECO-12-005725	21-AUG-12	D.L	BH.Y
		E		REVISE ONLY ECO-13-015347	16-DEC-13	XL,Y	B,F



DOT MARK:BLACK (C)(D) PART A PART B C:MADE IN CHINA



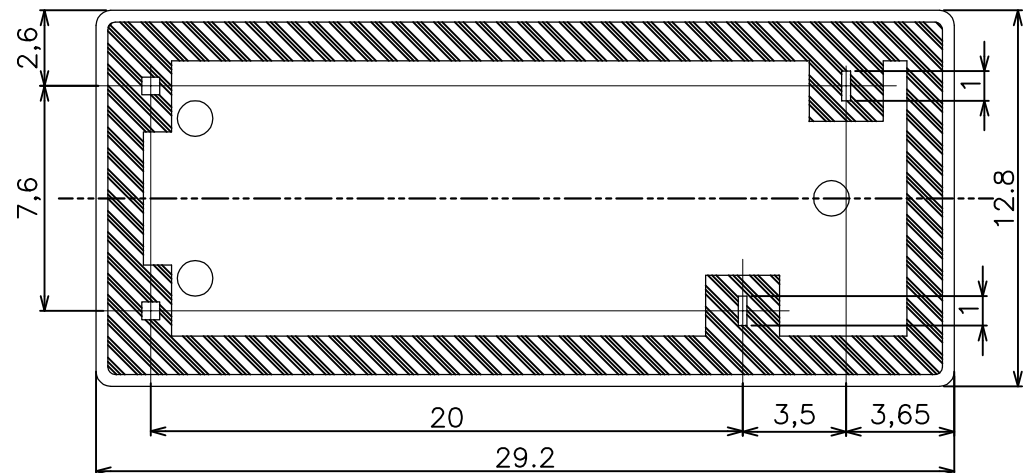
NOTES:  
 1.-SS- : PLASTIC SEALD TYPE  
 2.LOT NO. SYSTEM AS FOLLOWING:



3.GENERAL TOLERANCE AS FOLLOWING:

TOLERANCE	
0~0.99mm	±0.1
1mm~2.99mm	±0.2
3mmMIN.	±0.3

(D) 4.TERMINAL DIMENSION IS NOT INCLUDING SOLDER TIP.  
 FOR THE TIN-PLATING OF THE PINS:  
 +0.1mm FOR WIDTH,THICKNESS AND DIAMETER.  
 +0.5mm FOR LENGTH.



THIS DRAWING IS A CONTROLLED DOCUMENT.		DWN H.SASAKI		<b>STE</b> TE Connectivity	
DIMENSIONS: mm		CHK Y.OIKAWA			
TOLERANCES UNLESS OTHERWISE SPECIFIED:		APVD A.NAGAI		NAME	
0 PLC ± -		PRODUCT SPEC		OMI-SH-LM SPEC,095 CUSTOMER DRAWING	
1 PLC ± -		APPLICATION SPEC		SIZE CAGE CODE DRAWING NO RESTRICTED TO	
2 PLC ± -		WEIGHT		A3 00779 C-9-1419121-4	
3 PLC ± -		CUSTOMER DRAWING		SCALE 4:1 SHEET 1 OF 2 REV E	
4 PLC ± -		MATERIAL FINISH			
ANGLES ± -					

4

3

2

1

THIS DRAWING IS UNPUBLISHED.

RELEASED FOR PUBLICATION

- . - .

© COPYRIGHT - By -

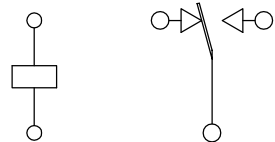
ALL RIGHTS RESERVED.

LOC HB DIST -

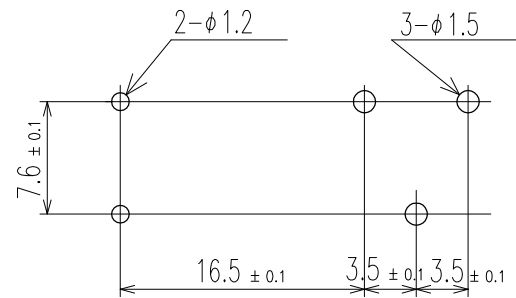
REVISIONS

P	LTR	DESCRIPTION	DATE	DWN	APVD

CONNECTION DIAGRAM (BOTTOM VIEW)



DRILLING DIAGRAM(2/1) (BOTTOM VIEW)



TE PART NO	TE TYPE NAME	PART B	PART A
9-1419121-5	OMI-SH-109LM	9V	OMI-SH-109LM
9-1419121-4	OMI-SH-105LM	5V	OMI-SH-105LM

RELAY TYPE

INCOMBUSTIBILITY	TREATMENT	MATERIAL	DESCRIPTION	ITEM
		EPOXY RESIN	RESIN	17
		PBT	CASE	16
		-	TAPE	15
		UEW	MAGNETIC WIRE	14
		PET	BASE	13
		PBT	BOBBIN	12
	SOLDER DIP	CP WIRE	COIL TERMINAL	11
		PPS	CARD	10
		Ag ALLOY	MOVABLE CONTACT	9
		Ag ALLOY	STATIONARY CONTACT	8
		Cu ALLOY	HINGE SPRING	7
	SOLDER DIP	Cu ALLOY	B TERMINAL	6
	SOLDER DIP	Cu ALLOY	M TERMINAL	5
	SOLDER DIP	Cu ALLOY	MOVABLE SPRING	4
		STEEL	CORE	3
		STEEL	ARMATURE	2
		STEEL	YOKE	1

THIS DRAWING IS A CONTROLLED DOCUMENT.		DWN H.SASAKI	<b>STE</b> TE Connectivity		
DIMENSIONS: mm		CHK Y.OIKAWA			
TOLERANCES UNLESS OTHERWISE SPECIFIED:		APVD A.NAGAI	NAME		
0 PLC ± -		PRODUCT SPEC -	OMI-SH-LM SPEC,095 CUSTOMER DRAWING		
1 PLC ± -		APPLICATION SPEC -	SIZE	CAGE CODE	DRAWING NO
2 PLC ± -		WEIGHT -	A3	00779	C-9-1419121-4
3 PLC ± -		CUSTOMER DRAWING	RESTRICTED TO -		
4 PLC ± -		FINISH -	SCALE	SHEET	REV
ANGLES ± -			4:1	2 of 2	E