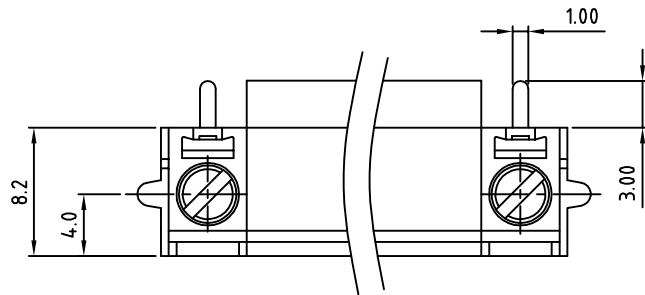


SIGN	DATE	DESCRIPTION	APPROVER
		<i>THIS IS CAD DRAWING, DO NOT REVISE MANUALLY!!!</i>	



N = Number of poles
 Dim A = N x 5.0
 Dim B = (N-1) x 5.0

Poles	Dim A	Dim B
2p-4p	±0.15	±0.10
5p-7p	±0.20	±0.20

Material

- Terminal body (metal housing): Brass(CuZn)
- Terminal screw: Steel Zinc plating "-" slot type
- Contacts: Brass
- Surface of solder tail: Tin plated
- Insulator (housing): Thermoplastic (UL94V-0)

Electrical

- Voltage rating: 300VAC
- Current rating: 6A
- Wire range:
 - Solid wire(AWG): 14-30
 - Stranded wire(AWG): 14-30
- Torque(Lb-In): 3.5
- Screw: M3
- Wire strip length: 6-7mm
- Withstanding Voltage: 1.6KV
- Operating temperature: -45°C to +130°C
- Soldering temperature: 260°C±10°C/5 Sec SUITABLE FOR REFLOW

RoHS Compliant

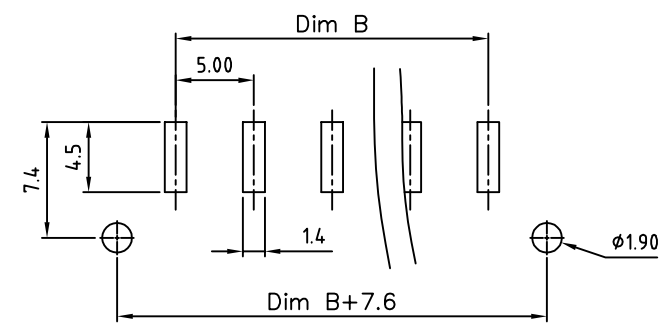
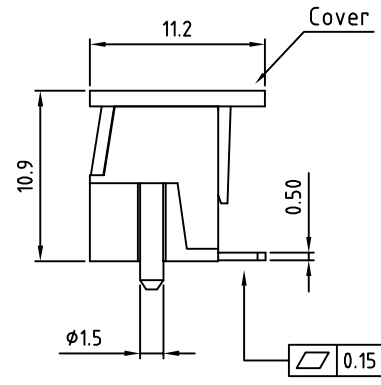
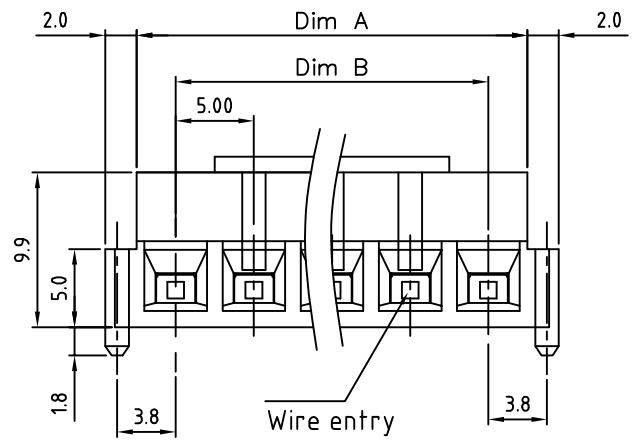
PART NUMBER:

OSTTZXX0101

- No. of Poles
- 02 2 Poles
 - 03 3 Poles
 -
 - 07 07 Poles

COLOR
0: Black

Packaging	
2 pole -	47 per tube
3 pole -	32 per tube
4 pole -	25 per tube
5 pole -	21 per tube
6 pole -	17 per tube
7 pole -	15 per tube



RECOMMENDED PCB LAYOUT

THESE DRAWINGS AND SPECIFICATIONS ARE THE PROPERTY OF ON-SHORE TECHNOLOGY, INC. AND SHALL NOT BE REPRODUCED, COPIED OR USED IN ANY MANNER WITHOUT THE PRIOR WRITTEN CONSENT OF ON-SHORE TECHNOLOGY, INC.



TITLE		OSTTZ 5.0mm series with cover 2p-7p			
PART NO.	OSTTZXX0101	DWG NO.	OSTTZXX0101.DWG		
APPROVED	CHECKED	DESIGNED	DRAWN	CUST NO.	Tolerance
Shi Jun 2006.10.23	Marvin 2006.10.23	Marvin 2006.10.23	Marvin 2006.10.23		X. ±0.50 X.X ±0.30 X.XX ±0.10 X° ±1°
				UNIT: mm	
				SCALE: NONE	
				SHEET: 01/01	REV.: D