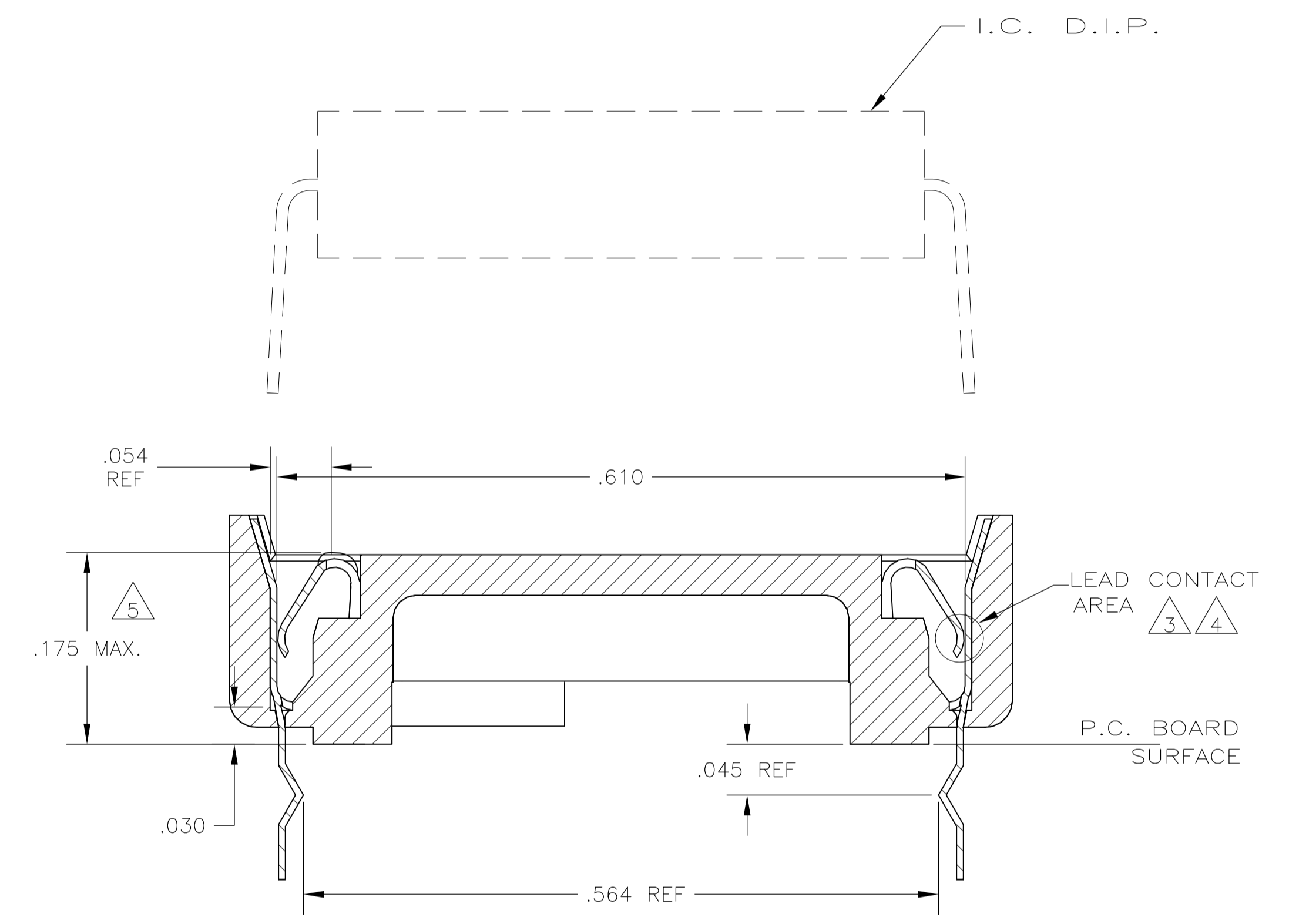
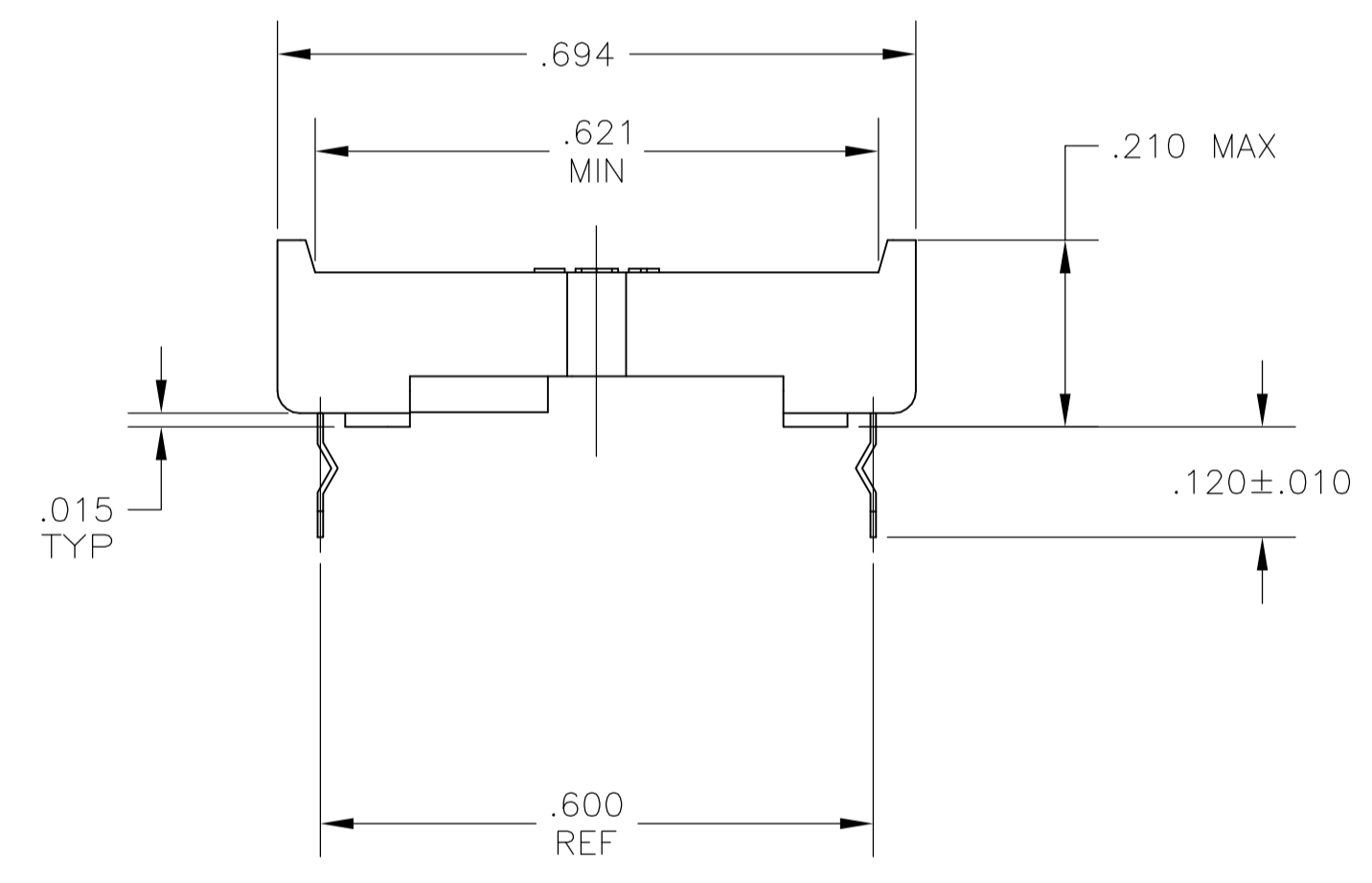
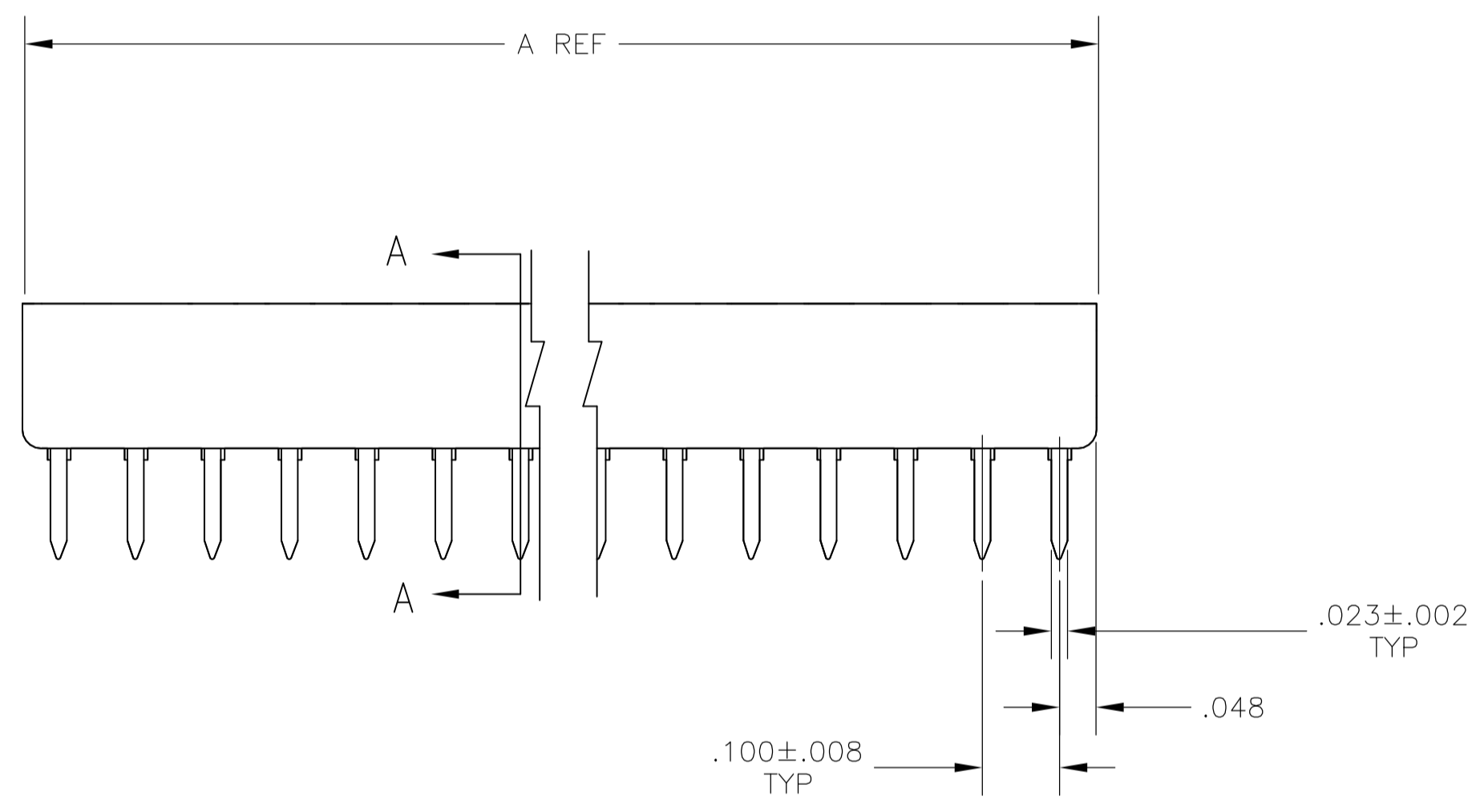
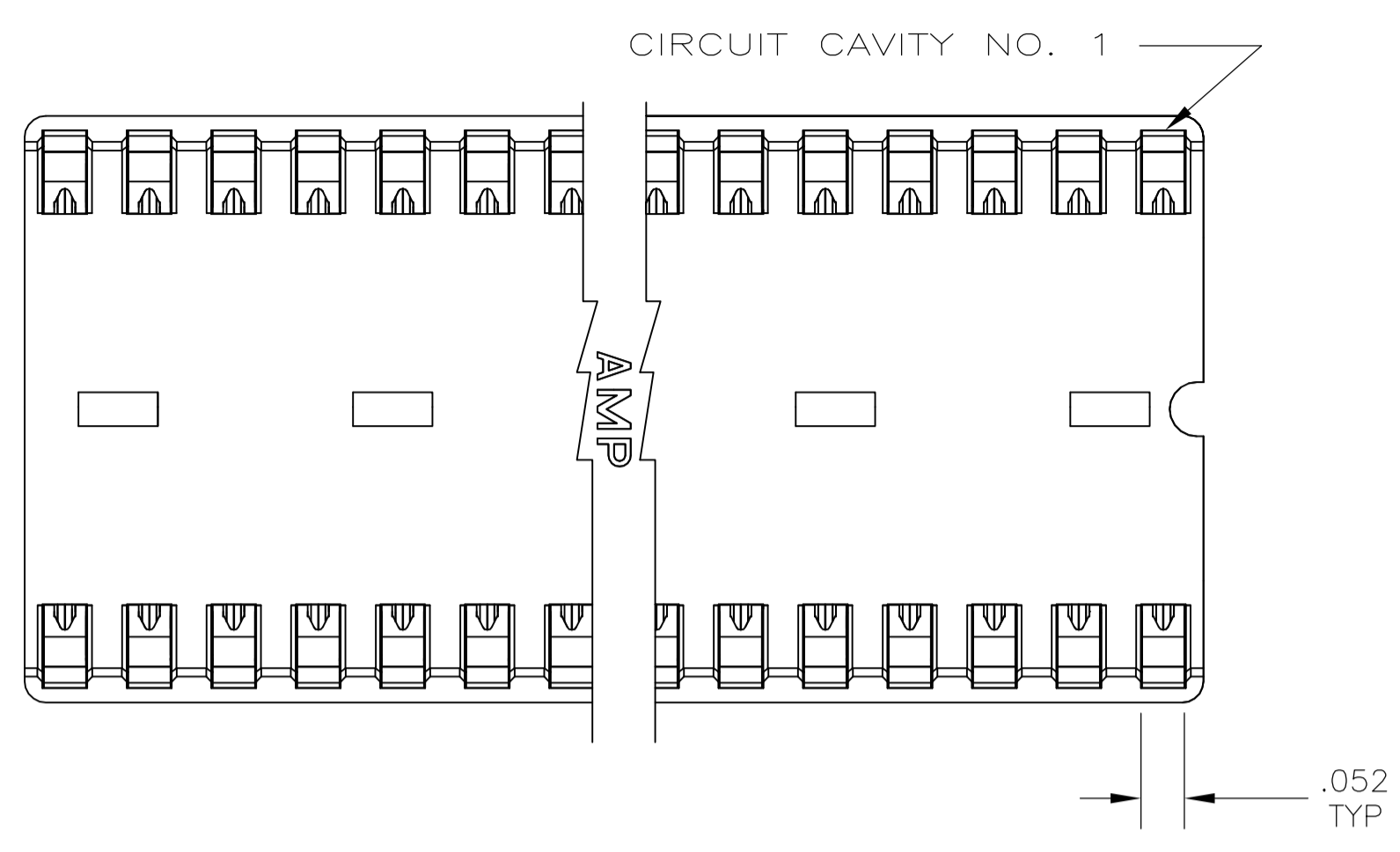
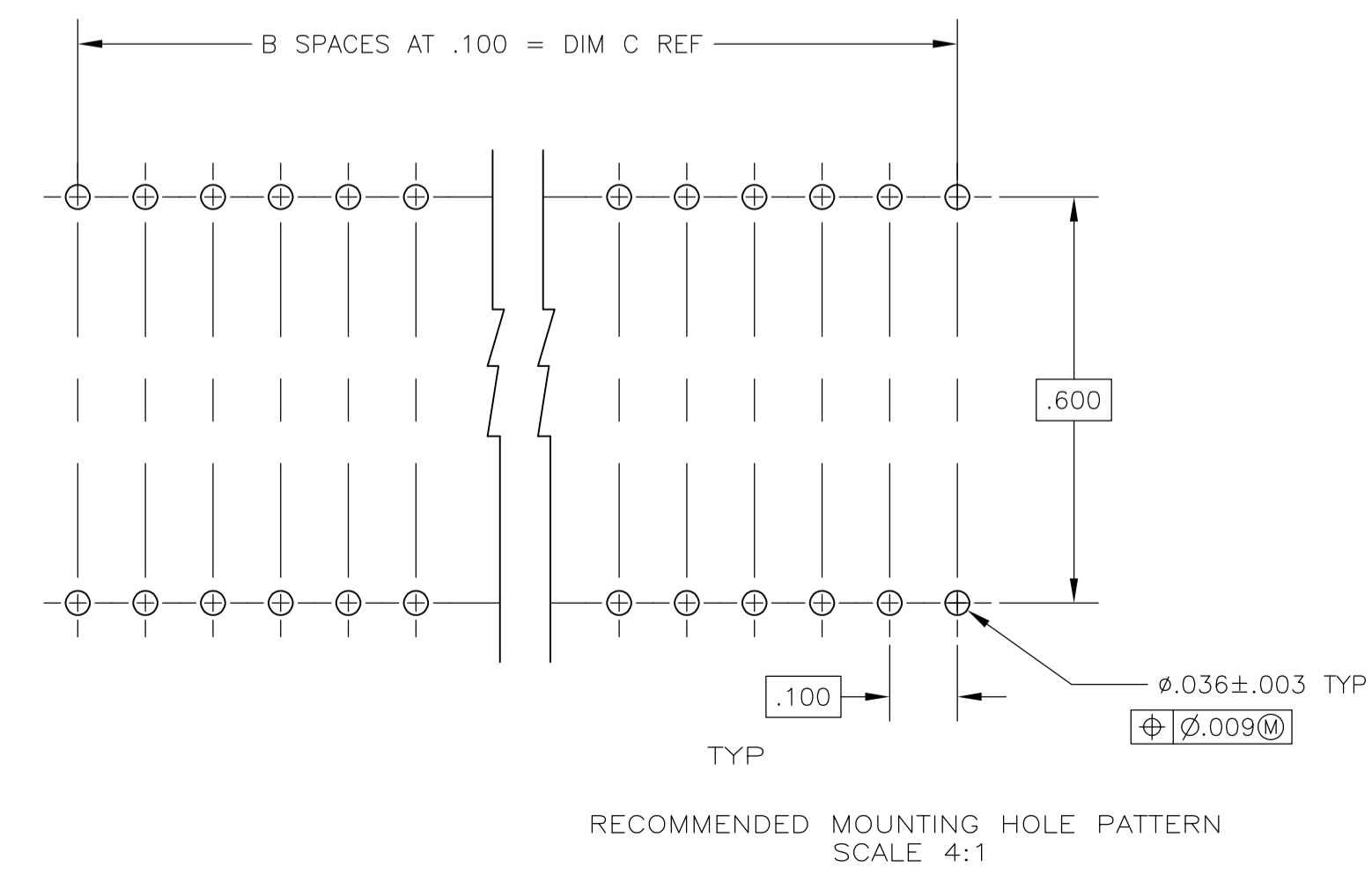


LOC		DIST		REVISIONS			
AD	00	REV	DATE	BY	CHK	APPV	
A	ECO-05-013690	02JAN05	BSV	KD			
A1	REVISED PER ECO-09-024927	07NOV09	KK	AEG			



SECTION A-A
SCALE 10:1

1. RECEPTACLE ACCEPTS A .008-.014 THICK I.C. LEAD.
2. TUBE LOADED FOR AUTOMATIC INSERTION.
3. BECU CONTACT-PLATED WITH TWO .000030 MIN THK. GOLD STRIPES IN CONTACT AREA WITH TIN ON CONTACT LEGS, BALANCE OF CONTACT NICKEL PLATED.
4. PHOS BRONZE CONTACT-PLATED TWO .000015 MIN THK. GOLD STRIPES IN CONTACT AREA WITH TIN ON CONTACT LEGS, BALANCE OF CONTACT NICKEL PLATED.
5. MAXIMUM DIMENSION FOR I.C. SEATING PLANE.
6. HOUSING MATERIAL- GLASS FILLED THERMOPLASTIC, BLACK, 94V-0
7. OBSOLETE PARTS: OBSOLETE CIS STREAMLINING PER D.RENAUD/D.SINISI



OBsolete	3	1.900	19	1.995	40	1-1825375-3
	3	1.300	13	1.395	28	1-1825375-2
	4	1.100	11	1.195	24	1-1825375-1
	4	1.900	19	1.995	40	1825375-3
	4	1.300	13	1.395	28	1825375-2
OBsolete	4	1.100	11	1.195	24	1825375-1

CONTACT & FINISH		DIM C	B SPCS	DIM A	POSITION	PART NO.
THIS DRAWING IS A CONTROLLED DOCUMENT.		DIN B.S.VISWESWARA 21APR2005		Tyco Electronics Corporation Harrisburg, Pa 17105-3608		
DIMENSIONS: INCHES		TOLERANCES UNLESS OTHERWISE SPECIFIED:		NAME: K.WRIGHT		
0 PLC ± -		1 PLC ± -		PRODUCT SPEC		
1 PLC ± -		2 PLC ± -		APPLICATION SPEC		
2 PLC ± -		3 PLC ± -		SIZE: A1		
3 PLC ± -		4 PLC ± -		CAGE CODE: 00779		
4 PLC ± -		ANGLES ± -		DRAWING NO: 1825375		
MATERIAL		FINISH		WEIGHT		RESTRICTED TO
CUSTOMER DRAWING		SCALE: 5:1		SHEET 1 OF 1		REV A1