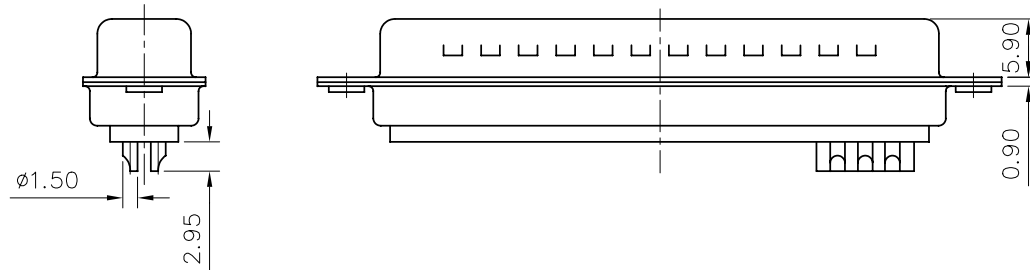
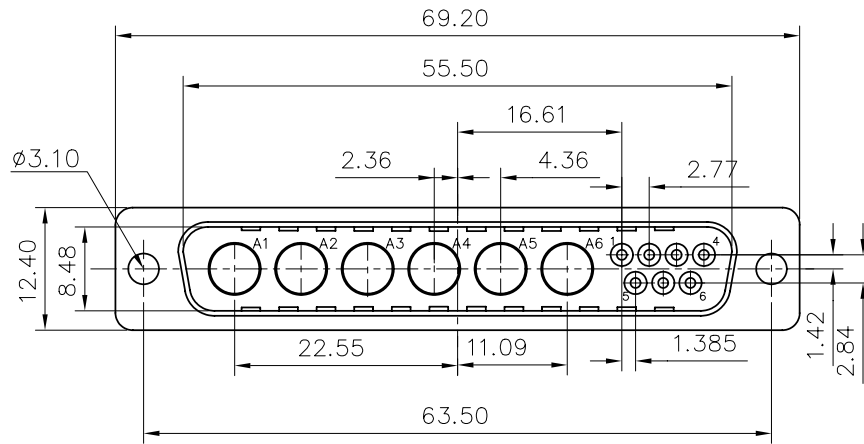


This document is the property of Amphenol Corporation and is delivered on the express condition that it is not to be disclosed, reproduced or used, in whole or in part, for manufacture or sale by anyone other than Amphenol Corporation without its prior consent. It is not to be used to disclose or to use any information in this document.



Customer drawing

REVISIONS				
SYM	ECN	DESCRIPTION	DATE	APPROVED
1			10/20/08	

D-SUB TECHNICAL DATA

SHELL : Steel 2.5um(100u") min tin over 1.25um(50u") min nickel
 BODY : Glass filled thermoplastic.
 CONTACTS : Brass.
 ELECTRICAL : Voltage rating : 300 V RMS at 50 Hz
 Current rating : 7.5A
 Withstanding Voltage >1000 V RMS at 50 Hz for one minute
 Insulation resistance >5000 M Ohms
 Contact resistance 20 mOhms max.
 CLIMATIC : Temperature range -55 °C up to 155°C
 Damp heat 56 days(40 °C-95% HR)
 MARKING : Amphenol...(Series No.)
 Manufacturing date
 Commercial reference

PRODUCT CODE

L 717TW C 13W6 P

L: RoHS Compliance

717TW: tinned shell with dimple

Shell Size :C

Contact type:
P: Male

Configuration: 13W6

UNLESS OTHERWISE SPECIFIED TOLERANCES		APPROVAL	DATE
	U.S. METRIC	DRAWN	Christina.cui
.X	+/- 0.50	CHECKED	14k.wang
.XX	+/- 0.30	CHECKED	
.XXX	+/- 0.20		
FRACTIONS	+/-		
ANGLES	+/- 2'		
FOR MATERIALS AND FINISHES SEE NOTES		DRAWING FILE :	
REMOVE SHARP EDGES		ANGLE OF PROJECTION	
DIMENSIONS			
U.S.	INCHES		
METRIC	MM		

Amphenol®

TITLE
Hybrid connector, TW series

SIZE	DRAWING NO.	REV.
A4	C L717TWC13W6P	1
SCALE	NONE	SHEET 1 OF 1