

### Key Features

- 2 antennas in one
- LTE and WiFi
- Small outline  $\varnothing 46\text{mm}$
- IP67 rated



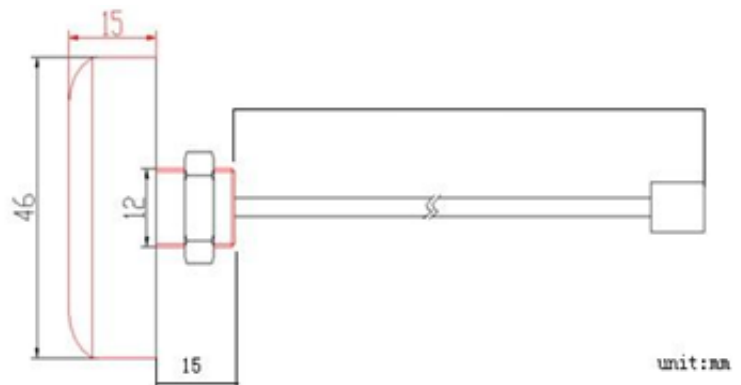
### General Description

The Tango 43 answers the need for both LTE and WiFi antennas in one compact housing. Ideal for 4G/WiFi routers that are now becoming ever more popular.

The 46mm diameter x 15mm thick housing has been well proven by the Tango 19, 20, 24 and 27, all in the same package style.

The Tango 43 is great for all environmental situation being IP67 rated.

The Tango 43 cable length and connector style can be specified as required, however as standard 1m and 2.5m cable lengths and SMA male and SMA male RP connectors are supplied.



Rev 1.0

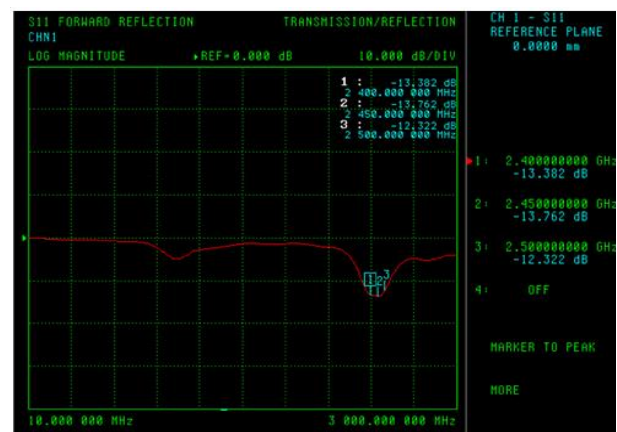
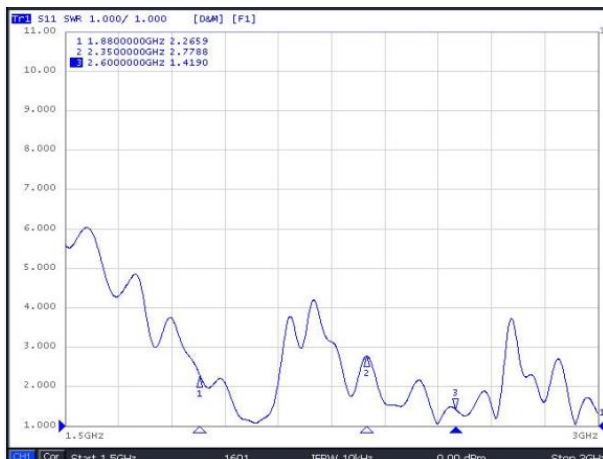
#### Key Specifications - Electrical

|                  |  |
|------------------|--|
| Input impedance: | 50ohm                                  |
| Gain:            | 2dBi                                   |
| VSWR:            | ≤1.5                                   |
| Frequency:       | 1880 - 1900 / 2400 /<br>2575 - 2635MHz |
| Max input power: | 60W                                    |
| Polarization:    | Vertical                               |

#### Key Specifications - Mechanical

|               |                        |
|---------------|------------------------|
| Dimensions:   | Ø46 x 14.5mm           |
| Cable type:   | RG174                  |
| Cable length: | As required            |
| Connector:    | SMA male / SMA male RP |
| Mounting:     | Screw (hole/roof)      |

#### Test Reports



#### Ordering Details

| Part Number                      | Description   |
|----------------------------------|---|
| TANGO43/0.5M/SMAM/SMAM/RP/S/S/17 | Combined LTE & WiFi Antenna, 0.5m Cable, SMA Male/SMA Male RP Connector |
| TANGO43/1M/SMAM/SMAM/RP/S/S/17   | Combined LTE & WiFi Antenna, 1m Cable, SMA Male/SMA Male RP Connector   |
| TANGO43/2.5M/SMAM/SMAM/RP/S/S/17 | Combined LTE & WiFi Antenna, 2.5m Cable, SMA Male/SMA Male RP Connector |