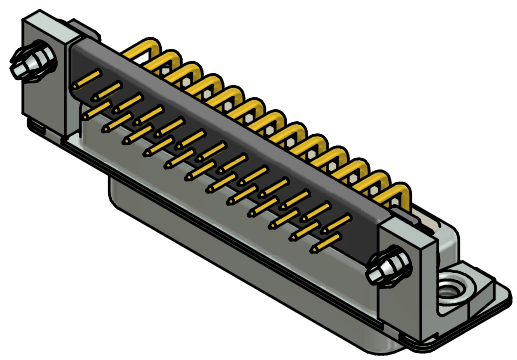


NOTES:

1. RoHS COMPLIANT
2. FOR WAVESOLDERING (SOLDER BATH TEMPERATURE 260°C FOR 5 SEC. AND SOLDER PREHEAT 100°C FOR 30 SEC.)
3. METAL SHELLS: STEEL; min. 315µm TIN over 40-80µm NICKEL
4. INSULATORS: HIGH TEMPERATURE PLASTIC UL 94 V-0, BLACK
5. CONTACTS: COPPER ALLOY; PLATING (SEE PART NO):
 - PLEASE ADD A for GOLD FLASH over NICKEL (PREFERRED TYPE)
 - PLEASE ADD B for 20µm HARD GOLD over min. 50µm NICKEL
 - PLEASE ADD C for 30µm HARD GOLD over min. 50µm NICKEL
 CONTACT TAILS PRETINNED
6. METAL BRACKETS: ZINC DIE CAST; 300µm COPPER/40-120µm NICKEL/120-200µm TIN
7. THREADED INSERTS: COPPER ALLOY; min. 200µm TIN over 80µm NICKEL
8. PCB-SNAPS: COPPER ALLOY; min. 200µm TIN over 80µm NICKEL
PCB-HOLE: Ø3,1±0,1; PCB THICKNESS 1,6mm
9. FIXING-PLATE: HIGH TEMPERATURE PLASTIC UL 94 V-0; BLACK
10. CAPACITANCE: 180pF±20%
11. DIELECTRIC WITHSTANDING VOLTAGE: 424 VDC
12. P.C.B. HOLE DRILLINGS ON SHEET 2
13. MAXIMUM TORQUE VALUE FOR THREAD: 6 in.LB
14. CONNECTOR IS PART MARKED: 242□17800X CONEC ABC (see note 5)

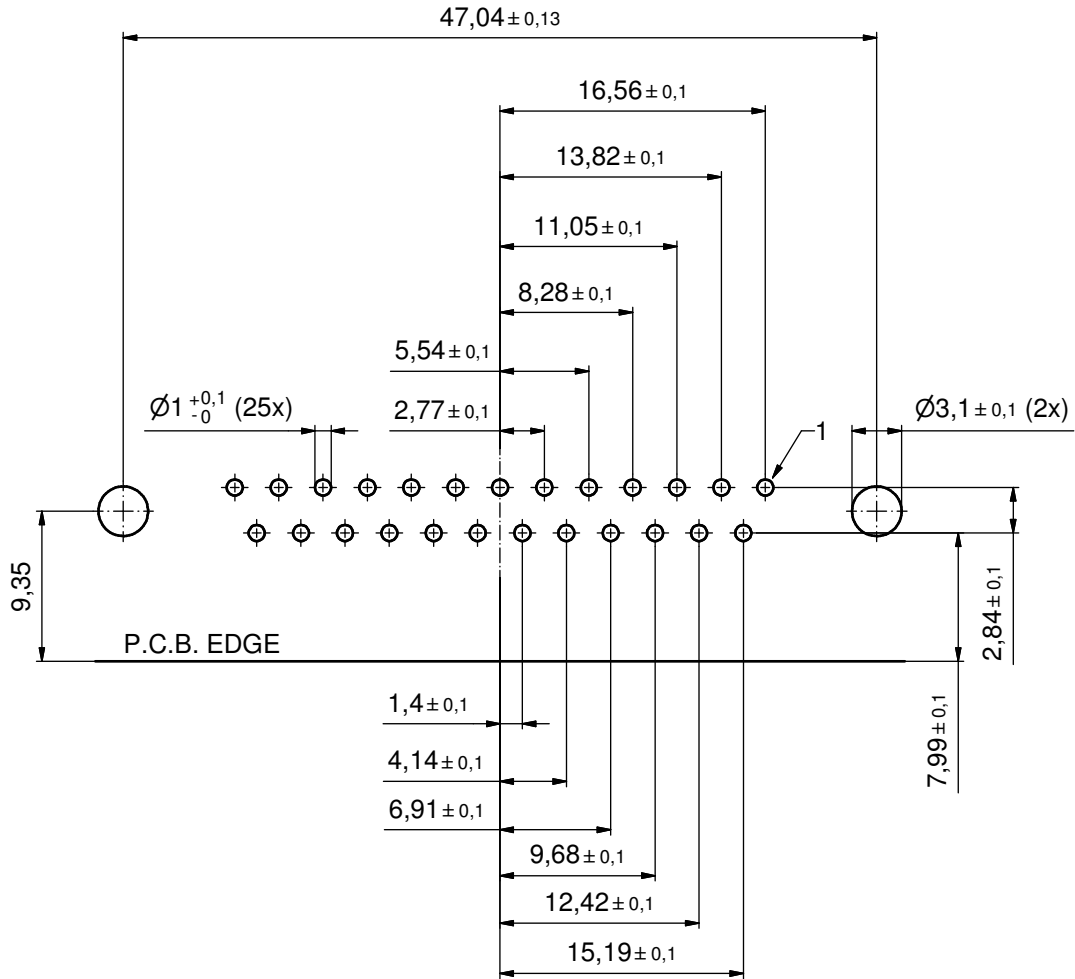


Directive 2002/95/EC RoHS compliant

THIS DRAWING MAY NOT BE COPIED OR REPRODUCED IN ANY WAY, AND MAY NOT BE PASSED ON TO A THIRD PARTY WITHOUT WRITTEN PERMISSION. OWNERSHIP AND COPYRIGHT OF CONEC GmbH DO NOT ALTER CAD DRAWING BY HAND	tolerance		dim. in mm		scale: 2:1 (5:1)	
					material: SEE NOTES	
	date	name	title:			
	drawn 26.06.13	Henneboel	D-SUB FILTER FEMALE 90°			
	appd. 27.06.13	Fischer	25pos. SOLDER PIN ANGLED 0.318inch			
	norm		with threaded insert, metal bracket, snap, fixing plate			
	d-old		dwg no:		DIN-A3	
	a	Original	24K1A1453		sh: 1/2	
	rev.	description	date	name	part no: 242□17800X (see note 5)	
	CONEC ®					

P.C.B. HOLE DRILLINGS

(P.C.B. TOP SIDE)



THIS DRAWING MAY NOT BE COPIED OR REPRODUCED IN ANY WAY, AND MAY NOT BE PASSED ON TO A THIRD PARTY WITHOUT WRITTEN PERMISSION. OWNERSHIP AND COPYRIGHT OF CONEC GmbH DO NOT ALTER CAD DRAWING BY HAND				tolerance		scale: 3:1		
				date	name	material: SEE SHEET 1		
				drawn	26.06.13	Henneboel	title: P.C.B. HOLE DRILLINGS D-SUB FILTER FEMALE 90°, 25pos. 0.318inch with threaded insert, metal bracket, snap, fixing plate	
				appd.	27.06.13	Fischer		
				norm				
				d-old				
	a	Original		CONEC [®]			dwg no: 24K1A1453	DIN-A3
	rev.	description	date				name	part no: SEE SHEET 1