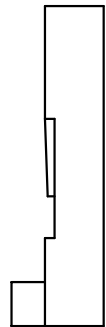
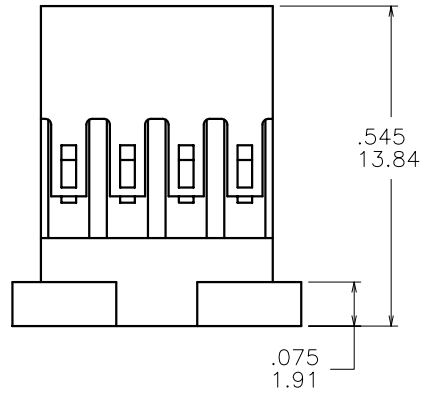


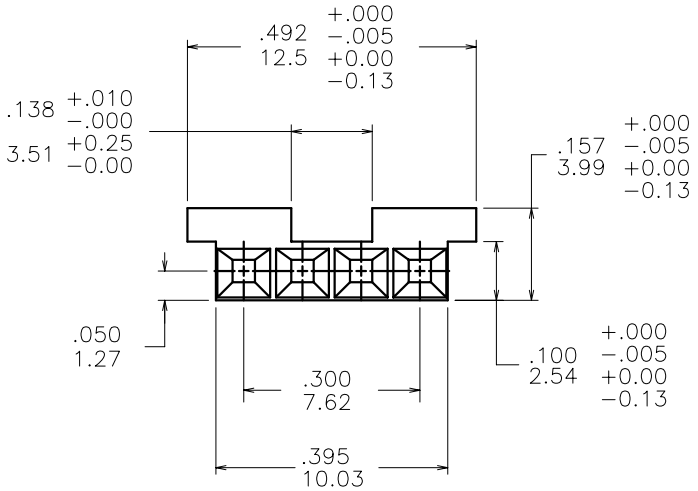
PRODUCT NUMBER
78515-001
78515-001LF

OBSOLETE



NOTES:

- ① MOLDING MATERIAL: POLYAMIDE (PA66),  
FLAME RETARDANT PER UL-94V-0,  
COLOR: BLACK.
- 2. TO BE MATED WITH PIN .225/5.72  
±.015/0.38 LONG.
- 3. THIS HOUSING IS INTENDED FOR USE  
WITH MINI PV™ TERMINAL WITH 22-36 AWG WIRE.
- 4. FOR APPLICATION INFORMATION SEE TA-531.  
PRODUCT SPECIFICATION: BUS-12-067.
- 5. PRODUCT MEETS EUROPEAN UNION DIRECTIVES AND  
OTHER COUNTRY REGULATIONS AS DESCRIBED  
IN GS-22-008.
- 6. THIS PRODUCT IS NOT INTENDED TO BE EXPOSED  
TO MANUFACTURING SOLDER PROCESSES.



Copyright FCI

mat'l. code SEE NOTE 1		surface ✓	tolerance tolerances unless otherwise specified	projection ⊕	product family PV HOUSINGS
ltr	ec'n no	dr	date	angles	linear
A	v12499	JWB	1991-09-09	linear	linear
B	v50128	GAH	1995-04-10	linear	linear
C	v05-0717	TAB	2005-07-29	0°±2'	linear
D	v06-0446	HTB	2006-05-16	dr	J.W. BAIR
E	v07-0533	HTB	2007-08-22	engr	C. TREXLER
				chr	C. TREXLER
				appd	C. TREXLER
sheet index	revision	E			
	sheet	1			

title  
MINI LATCH HOUSING SR  
POLARIZED .100 [2.54] CC

dwg no  
78515

sheet 1 of 1

size  
A3

type  
Product Customer Drawing