

1 2 3 4 5 6 7

A

B

C

D

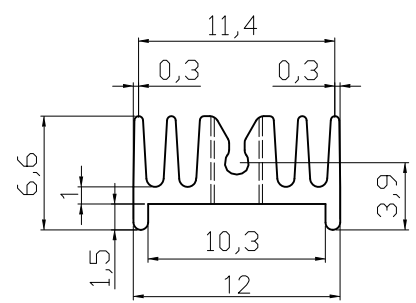
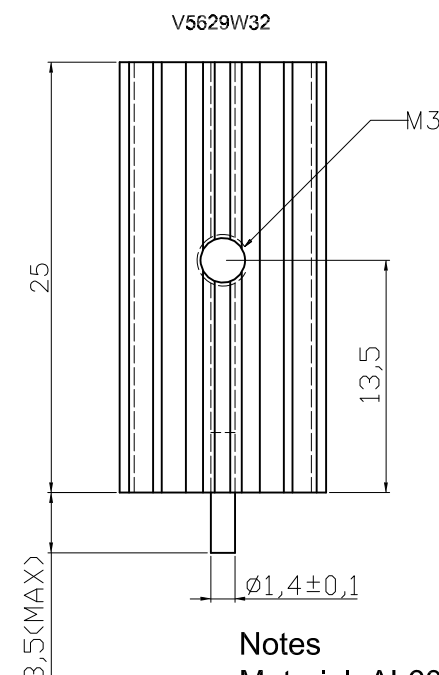
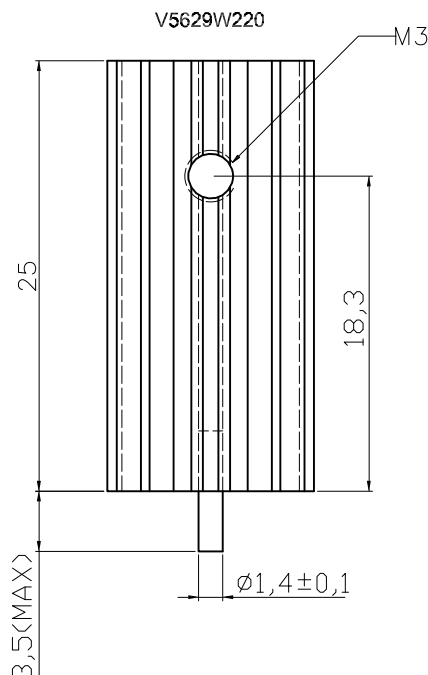
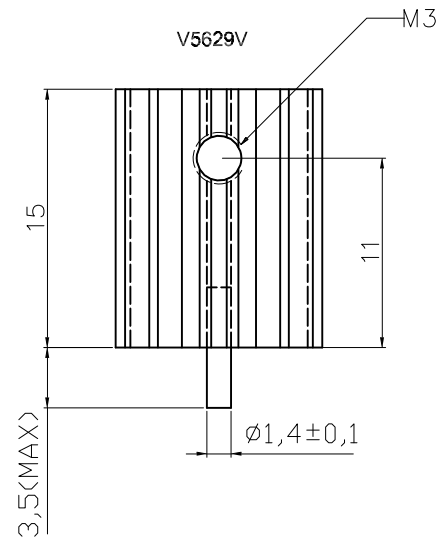
E

F

G

H

1 2 3 4 5 6 7



Notes
Material: AL6063-T5
Finished:Black Anodizde

Option	Hole Pattern	Thermal resistance(K/W)
V5629V	SOT-32	④ 38.5
V5629W220	TO-220	④ 36
V5629W32	SOT-32	④ 36

RoHS compliant
Unit: mm

Scale	Free					Date	Name	Customer-No.
TOLERANCE						Drawn	19.03.2002	Hellwig
unit	±0.2							
		④	Update the thermal resistance	20.08.2013	Amy	Approved	20.08.2013	Amy
		③	Modify drawing layout	10.03.2010	Alex			
DIM	TOL	②	Update	11.08.2009	Dean			
X.°		①	Drawn	19.03.2002	Hellwig			
Angle	TOL	Id.	Modification	Date	Name			

ASSMANN WSW-No.		V5629x
Drawing-No.		
ASS 0500 HS		rev04
Replace	Sheet	

