

RAFIX 16 - Toggle switch, round collar

1.30.075.021/0104

Only use contact blocks with momentary function.



General information

Form of collar round

Dimensions

Collar dimensions \varnothing 24.95 mm

Overall height 18.4 mm

Mounting depth 44.7 mm

Mounting hole 16.2 mm

Key grid 25 x 25 mm

Mechanical design

Mounting ring nut

Contact function latching

Contact arrangement according to contact block

Illumination no

Mechanical characteristics

Robustness max. 100 N

Other specifications

Degree of protection from front side IP65 (DIN EN 60529)

Operation temperature min. -25 °C

Ambient temp. operating max. without lamp / LED +70 °C

Ambient temp. operating max. with lamp /LED +55 °C

Storage temperature min. -40 °C

Storage temperature max. +85 °C

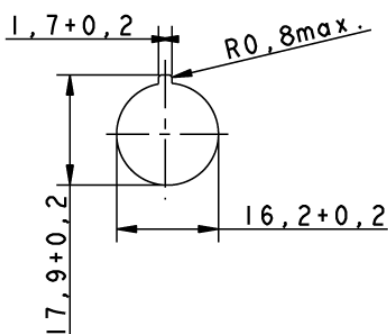
Environmental resistance acc. to IEC 60068-2-14, -30, -33 and -78

Operating life (operations) 300,000

ROHS compliant yes

REACH compliant yes

Panel cut-out



Technical data are approximate and intended solely for general orientation in the selection of a product. Subject to modifications and errors. Images and other graphics may only be similar. For more information, refer to www.rafi.de chapter Imprint / Data Protection.

