

CODE	DIM "M" MATING LENGTH	CONTACT TYPE
T	[6.86]	SIGNAL
R	[6.86]	SIGNAL
F	[5.59]	SIGNAL
H	[5.59]	SIGNAL
G	[5.59]	SIGNAL
E	[5.59]	SIGNAL
U	[6.86]	SIGNAL
S	[6.86]	SIGNAL
PA	[N/A]	POWER

spec ref	*	dr	Luo Weller	2013/12/06	projection 	MM ←→	size	A4	scale	1:1
tolerance std	TOLERANCES UNLESS OTHERWISE SPECIFIED	eng	Luo Weller	2013/12/13			ecn no	-		
SEE NOTE		chr	-	-						
surface	linear	0.X	±0.5	 3ACP + 4P + 24S RIGHT ANGLE SOLDER HEADER www.fci.com	product family	PwrBlade	rel level	Released		
		0.XX	±0.258				dwg no	51939-822	rev	A
	angular	0°	±2°							

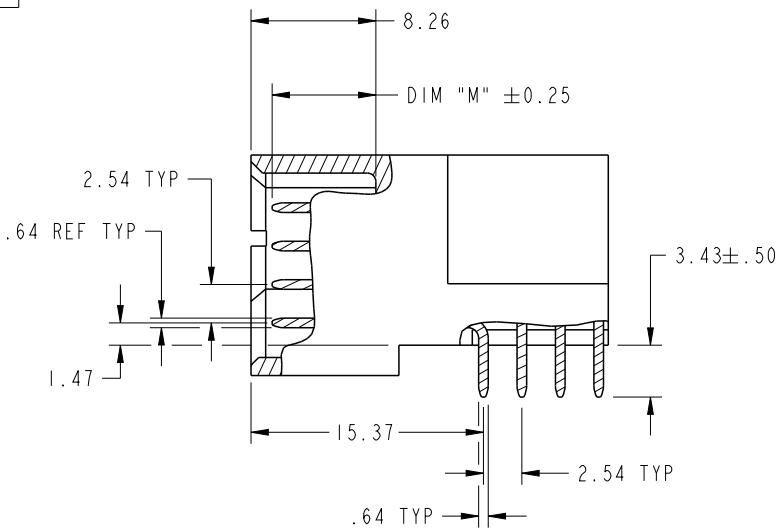


Copyright FCI.

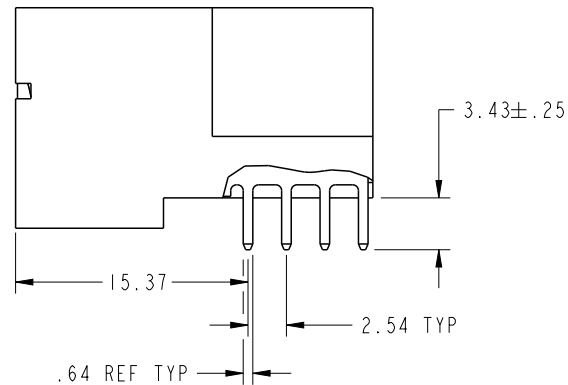
PrdE File - REV C - 2009-06-09

PRODUCT NUMBER

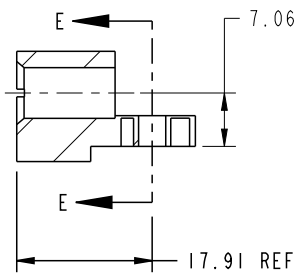
51939-822  
NOTE (3)



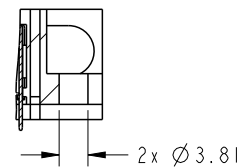
BROKEN-OUT SECTION A-A  
SCALE 2:1



BROKEN-OUT SECTION B-B  
SCALE 2:1



SECTION C-C

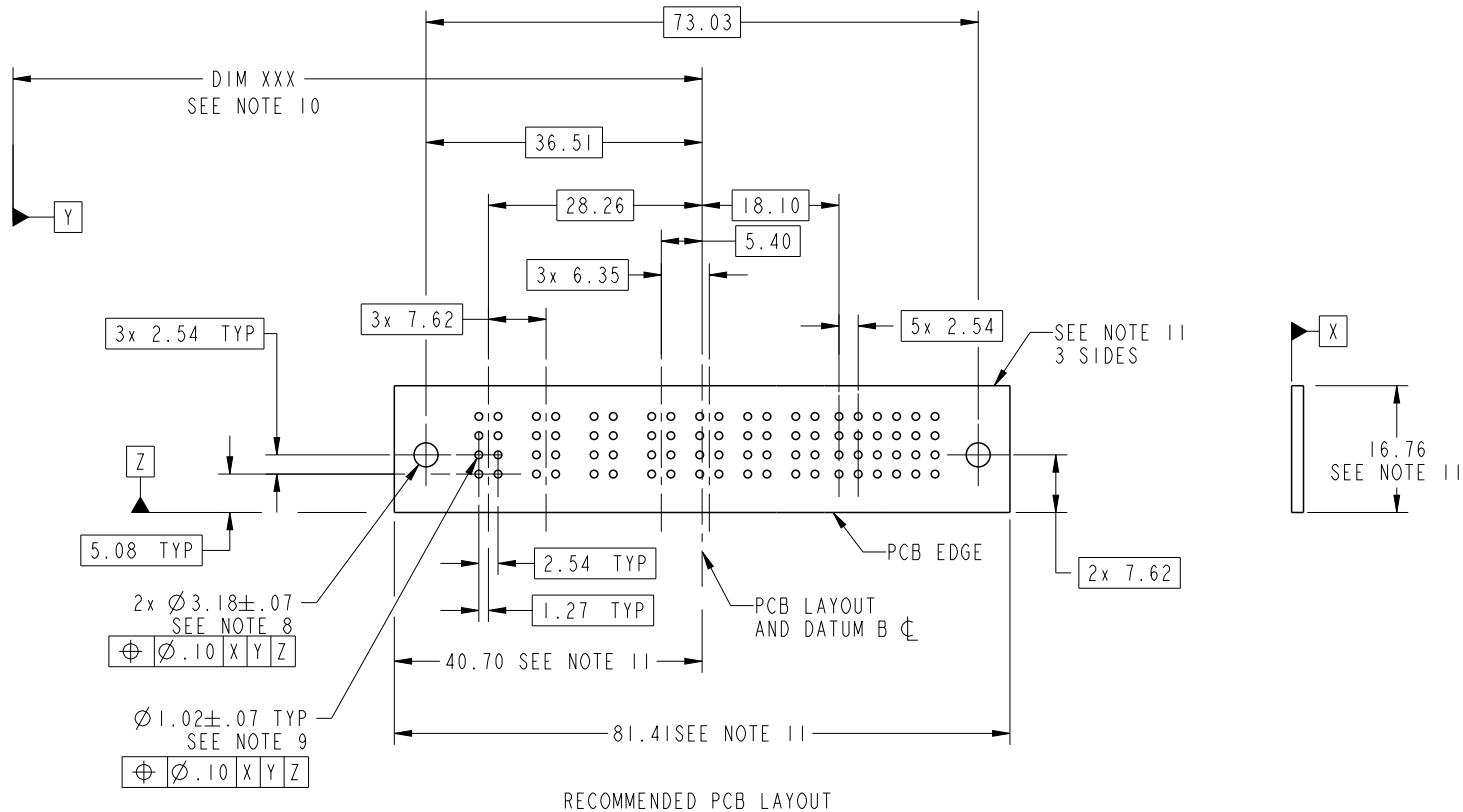


PARTIAL SECTION E-E

dr	Luo Weller	2013/12/06	projection 	MM 	size	A4	scale	1:1
eng	Luo Weller	2013/12/13			ecn no	-		
chr	-	-			rel level	Released		
appr	Pei-Ming Zheng	2013/12/13	product family	PwrBlade	rev	A		
	title	3ACP + 4P + 24S RIGHT ANGLE SOLDER HEADER		dwg no	51939-822			
www.fci.com	cat. no.	51939-286	Product - Customer Drw		sheet 2 of 4			

PRODUCT NUMBER

51939-822  
NOTE ③



RECOMMENDED PCB LAYOUT



Copyright FCI.

dr	Luo Weller	2013/12/06	projection 	MM 	size	A4	scale	1:1
eng	Luo Weller	2013/12/13			ecn no	-		
chr	-	-			rel level	Released		
appr	Pei-Ming Zheng	2013/12/13	product family	PwrBlade	rev	A		
	title	3ACP + 4P + 24S RIGHT ANGLE SOLDER HEADER		dwg no	51939-822	sheet 3 of 4		
www.fci.com	cat. no.	51939-286	Product - Customer Drw		sheet 3 of 4			

PRODUCT NUMBER

51939-822--  
NOTE (3)

NOTES:

1. DIMENSIONS AND TOLERANCES ARE IN ACCORDANCE WITH ASME Y14.5M, 1994 UNLESS OTHERWISE SPECIFIED.

CONNECTOR NOTES:

(2) HOUSING MATERIAL: UL 94 V-0 GLASS FILLED HIGH-TEMP THERMOPLASTIC  
POWER CONTACT MATERIAL: COPPER ALLOY  
SIGNAL PIN MATERIAL: COPPER ALLOY

(3) PLATING:  
SEE PRINT 10064183 FOR PLATING SPEC OF 51939-822; 51939-822LF

(4) MANUFACTURER'S NAME, P/N, AND DATE CODE TO APPEAR ON THIS SURFACE.

5. PRODUCT SPECIFICATION GS-12-149.  
APPLICATION SPECIFICATION BUS-20-067.

6. PACKAGED IN TRAYS.

PCB NOTES:

7. ALL HOLE DIAMETERS ARE FINISHED HOLE SIZE.

(8) MOUNTING HOLES, WHERE APPLICABLE, ARE UNPLATED.

(9)  $\varnothing 1.151 \pm 0.025$  DRILLED HOLES PLATED WITH  
0.008 MIN SnPb OR Sn OVER 0.03  
TO 0.08 Cu PLATING TO ACHIEVE  
 $\varnothing 1.02 \pm 0.07$  HOLE.

(10) "DIM XXX" TO BE DETERMINED BY THE CUSTOMER.

(11) CONNECTOR KEEP-OUT ZONE.

dr	Luo Weller	2013/12/06	projection 	MM 	size	A4	scale	1:1	
eng	Luo Weller	2013/12/13			ecn no	-			
chr	-	-							
appr	Pei-Ming Zheng	2013/12/13	product family	PwrBlade	rel level	Released			
	title	3ACP + 4P + 24S RIGHT ANGLE SOLDER HEADER			dwg no	51939-822		rev	A
www.fci.com	cat. no.	51939-286	Product - Customer Drw			sheet 4 of 4			